

Govt. of Jammu and Kashmir
Office of the Divisional Forest Officer
Kathua Forest Division Kathua

Address: Forest Complex College Road Kathua
Ph No. 01922-294875
Email Id : dfokathua@gmail.com & dfokathua.for-ik@nic.in

The Conservator of Forests,
East Circle, Jammu.

No: KFD/FCA/2022-23/ 5058

Dated: 24/11/2022

Sub: Diversion of 0.208 ha. Forest land for Construction of M/s Prince Fuel Station, District, Kathua, UT of J&K.

Ref: The CCF/Nodal Officer (FCA) letter No. PCCF/FCA/3486/5503-05 Dated 19/11/2022.

Sir,

Apropos to the subject and reference cited above, the point wise reply to the EDS raised by the DIGF (Central), Regional Officer, RO, Jammu is given as under:-

S. No.	EDS raised	Reply
1	Layout Plan uploaded in additional information (Check list) Part-II at page No. 4 is not legible, needs to be uploaded clear layout plan.	The same has been uploaded under menu option "Additional Information Details" in (Form-A) Part-II on PARIVESH portal.
2	True English translation of the ownership Revenue record uploaded under S. No. 4 of additional Information details of part I.	The same has been uploaded by user agency under menu option "Additional Document" in (Form-A) Part-I on PARIVESH portal.
3	The name of applicant, who is making application is Chetan Mahanjan, whereas, all other documents indicate Chetan Gupta. A clarification is needed, if the both names are of same person.	The Affidavit in this regard has been uploaded by user agency under menu option "Additional Document" in (Form-A) Part-I on PARIVESH portal.
4	Since, the proposed site is Gair Mumkin Jhad and is forest for the purpose of FC, Act, and non-linear, suitable equivalent CA site in the form of Non-Forest Land (NFL) has to be provided by the user agency and the State Govt. shall prepare CA scheme for the same NFL. The SOI toposheet, DGPS map and land suitability certificate shall be modified based on the status of NFL.	As per the rule 2.6.(i) of Handbook of Forest (Conservation) Act, 1980 and Forest Conservation Rule, 2003 (Guidelines & Clarifications), diversion of Forest land upto one hectare, cost of plantation (including ten years maintenance) of ten times the number of trees likely to be felled or specified number of trees as may be specified in the order for diversion of forest land (subject to a minimum No. of 100 plants) shall be levied from the user agency towards compensatory afforestation.

Hence submitted for favour of information and necessary action please.

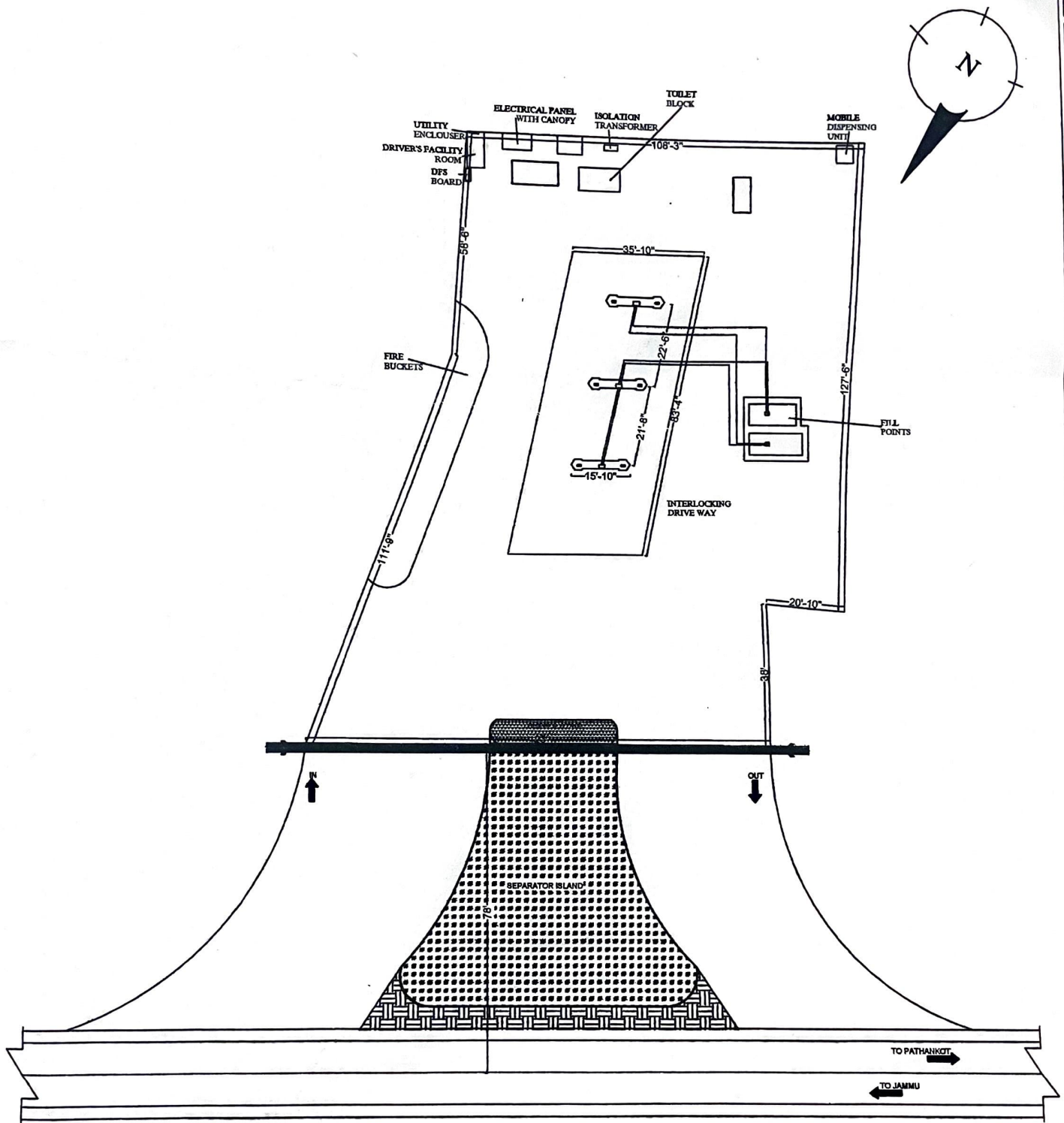
Yours faithfully,

(Khalid Amin Mehta), SFS

Divisional Forest Officer
Kathua Forest Division, Kathua

24/11/22

LAYOUT AND LOCATION PLAN OF PROPOSED RETAIL OUTLET AT VILLAGE MAHA,
 LAKHANPUR CH-18446, NH-244 ON JAMMU - PATHANKOT ROAD TEH. & DISTT
 KATHUA(J&K) PIN CODE 184101.



[Signature]
 Prince Fuel Station
 Prop.

[Signature]
 Divisional Forest Officer
 Kathua Forest Division
 Kathua

