

राजस्थान सरकार
वन विभाग

क्रमांक प.1 (20)वन/2018

जयपुर, दिनांक :-

उप महानिरीक्षक (केन्द्रीय)
पर्यावरण, वन एवं जलवायु परिवर्तन मंत्रालय,
भारत सरकार, एकीकृत क्षेत्रीय कार्यालय,
जयपुर बी-ब्लॉक, अरण्य भवन,
झालाना, जयपुर।

विषय:- Diversion of 13.015 ha of forest land in favour of NRSSXXXVI,
Transmission Limited, New Delhi for construction of 400 KV D/C
Babai (RRVNL)- Bhiwani (PGCIL) Transmission Line in
JKhunjhunu district- Rajasthan.
(Proposal No. - FP/RJ/TRANS/28622/2017)

संदर्भ:- आपका द्वारा जारी सैद्धान्तिक स्वीकृति क्रमांक 8बी/राज.
/04/11/2018/एफ.सी./244 दिनांक 06.07.2018

महोदय,

उपरोक्त विषयान्तर्गत संदर्भित सैद्धान्तिक स्वीकृति के क्रम में अतिरिक्त प्रधान
मुख्य वन संरक्षक, प्राटेक्शन एवं नोडल अधिकारी एफसीए, राजस्थान, जयपुर के
पत्रांक 14(TRANS)2017/एफसीए/प्रमुवस/2188 दिनांक 28.06.2022 एवं पत्रांक एफ 14
(TRANS)2017/एफसीए/प्रमुवस/214 दिनांक 31.01.2024 से प्रेषित बिन्दुवार
अनुपालना रिपोर्ट आवश्यक कार्यवाही हेतु प्रेषित है।

भवदीया,

संलग्न:-उपरोक्तानुसार

(मोनाली सेन)
विशिष्ट शासन सचिव, वन

Signature valid

RajKaj Ref
6278289



Digitally signed by Monali Sen
Designation: Special Secretary To
Government
Date: 2024.03.22 12:52:18 IST
Reason: Approved

कार्यालय प्रधान मुख्य वन संरक्षक (वन बल प्रमुख) राजस्थान,

अरण्य भवन, झालाना संस्थानिक क्षेत्र, जयपुर-302004

क्रमांक: एफ. 16(TRANS)2017/एफसीए/प्रमुवसं/ 2188

दिनांक 28.6.22

शासन सचिव,
वन विभाग,
राजस्थान, जयपुर।

विषय:-Diversion of 13.015 ha. of forest land in favour of NRSSXXXVI Transmission Limited, for the construction of 400 KV D/C babai (RRPVNL) to Bhiwani (PGCIL) Transmission line in Jhunjhunu forest division, Rajasthan-Submission of Stage I compliance. (Proposal SEZ Part-D" (Proposal no. FP/RJ/TRANS/28622/2017)

संदर्भ:-भारत सरकार, पर्यावरण, वन एवं जलवायु परिवर्तन मंत्रालय, एकीकृत क्षेत्रीय कार्यालय, जयपुर का पत्र क्रमांक 8बी/राज0/04/11/2018/एफ.सी./244 दिनांक 06.07.2018 एवं 631 दिनांक 14.02.2019

महोदय,

उपरोक्त विषयान्तर्गत भारत सरकार के संदर्भित पत्र से जारी सैद्धान्तिक स्वीकृति की पालना मुख्य वन संरक्षक, जयपुर के पत्रांक 3827 दिनांक 20.06.2022 से प्राप्त हुई है, जो निम्नानुसार है:-

S.No	MOEF Condition	Compliance/Remarks by DCF
1	Legal Status of forest land shall remain unchanged	Undertaking Submitted by User Agency Enclosed
2	Compensatory afforestation over the degraded Forest land twice in extent to the Forest land being diverted (13.015X2= 26.030 ha) shall be raised and maintained by the State Forest Department at the cost of the user agency.The user agency shall transfer the cost of plantation and its maintenance for 10 year (raised as on date to incorporate the existing wage structure) to camp, New Delhi Account	The requisite fund of Rs. 41,75,212/- Towards Compensatory afforestation scheme paid by User agency in CAMPA account vide e Date 20.05.2022 Challan no INB/RTGS/UTIBR52022052000232167/8 B/RAJ/04/11/201. If any change in present wage structure, the difference amount will be paid by User agency. Undertaking Submitted by User Agency Enclosed
3	User agency need to deposit the Cost of raising and maintenance of DWARF species / medicinal species below the transmission line as per the revised rates as on date to incorporate the existing wage structure, to Campa, New Delhi Account.	The requisite fund of Rs. 83,32,685/- Towards & Medicinal plantation scheme paid by User agency in CAMPA account vide e Date 20.05.2022 Challan no INB/RTGS/UTIBR52022052000232167/8 B/RAJ/04/11/201. If any change in present wage structure, the difference amount will be paid by User agency. Undertaking Submitted by User Agency Enclosed

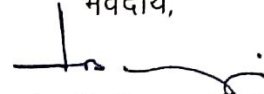
.....P.T.O.

4	The User Agency shall pay the Net Present Value (NPV) of forest area proposed to be diverted under this proposal as per the order of Honourable Supreme court of India Writ Petition (Civil) No 202/1995 and the guidelines issued by this Ministry Vide its letter no 5-3/2007-FC dated 05/02/2009 in this regard.	The requisite fund of Rs. 34,82,438/- Towards 5.563Ha. offoresat area outside protected area and rs. 2,33,24,760 towards 7.452HA. within protected area, totalling to Rs 2,68,07,198 has been deposited by NRSSXXXVI Transmission Limited to Ad-hoc CAMPA in the Compensatory afforestation Fund(CFA), Rajasthan. Details of RTGS Date 20.05.2022 Challan no INB/RTGS/UTIBR52022052000232167/8 B/RAJ/04/11/201.Undertaking Submitted by User Agency Enclosed
5	Undertaking regarding Additional Amount of the diverted forest land,if any becoming due after finalization of the same by the Honourable Supreme court of India shall be paid the user agency, need to bel furnished.	Undertaking Submitted by User Agency Enclosed
6	The boundary of the forest land proposedfo diversion shall be demarcated on ground at the project cost, by erecting four feet high reinforced cement concrete pillars, each inscribed with its no. DGPS coordinates, forward and back bearing and distance from adjoining pillars etc.	Undertaking Submitted by User Agency Enclosed.
7	The compliance of condition no (ii) may be dealt in light of MOEF&CC Guideline vide their letter no F.No 11-327/2015-FC dt 18/08/2015. The state govt. may allow work only the forest area falling outside the protected area 5.563Ha. (Total proposed 13.015Ha.). No work shall be allowed in the area filling within the protected area. If any violation takes place the concerned forest officer would be responsible for that. The state govt should convey to this office about the decision of NBWL regarding wildlife clearance for the area falling within protected area. There fore only approval in principle should be applicable in the protected area in this matter.	Undertaking by user agencyfor Complying Additional conditions of Wildlife Clearance as per given minutes 52th meeting of standing committee of NBWL dated 10.01.2019.
8	Muck disposal plan need to be submitted to this office after certifying from Divisional Forest Officer.	Undertaking Submitted by User Agency Enclosed
9	Divisional Forest Officer need to provide a certificate of non-violations of conditions as stipulated in In Principle approval and Forest Conservation Act 1980.	No work carried out in forest area . user agency submitted undertaking, Enclosed
10	The user agency and the state Government shall ensure compliance to provisions of the all Acts. Rules, Regulations and Guidelines, for the time being in force, as applicable to the Project	Undertaking Submitted by User Agency Enclosed

11	In the process of issuing working permission by State Government for the project, shall abide by MOEF&CC Guideline dated 07.01.2015	User Agency is requesting to issue the working permission for completion of the national interest project and recommendation for Stage-2 final approval under FCA 1980 from Central Govt.
----	---	---

अतः उपर्युक्तानुसार प्राप्त सूचना अग्रिम कार्यवाही हेतु संलग्न प्रेषित है।
संलग्नः—उपरोक्तानुसार।

भवदीय,


(अरिजीत बनर्जी)

अति. प्रधान मुख्य वन संरक्षक,
प्रोटेक्शन एवं नोडल अधिकारी एफसीए,
राजस्थान, जयपुर।

क्रमांक: एफ. 16(ज.छै)2017 / एफसीए / प्रमुखसं /

दिनांक

प्रतिलिपि:—निम्नांकित को सूचनार्थ एवं आवश्यक कार्यवाही हेतु प्रेषित हैं:—

1. मुख्य वन संरक्षक, जयपुर।
2. उप वन संरक्षक, झुन्झुनु।
- 3- NRSS XXXVI TRANS MISSINON LIMITED, A 26/3, Mohan Cooperative Industrial Estate, Near Sarita Vihar, metro Pillar No.71 New Delhi.

(भवानी सिंह)

उप वन संरक्षक (एफ.सी.ए.)
अरण्य भवन, जयपुर



कार्यालय मुख्य वन संरक्षक, जयपुर, राजस्थान



कमांक:-एफ 5 () एफ.सी.ए/मुवासंज/2022-23/ 3827
निमित्त:-

दिनांक:- 20/06/2022

अति. प्रधान मुख्य वन संरक्षक
प्रोटेक्शन एवं नोडल अधिकारी, एफसीए
राजस्थान, जयपुर।

विषय:-Diversion of 13.015 ha. of forest land in favour of NRSSXXXV; Transmission Limited, for the construction of 400 KV D/C babai (RRPVNL) to Bhiwani (PGCIL) Transmission line in Jhunjhunu forest division, Rajasthan. - Submission of Stage I compliance. (Proposal SEZ Part-D"

- सन्दर्भ:-1. User Agency letter no NRSSXXXVI/DEL/2022-23/08 Dated 30/05/2022
2. In Principal Approval letter from MOEF Integrated Regional office Jaipur letter no 8B/Raj/04/11/2018/FC/244, Dated: 06.07.2018 and Letter no 8B/Raj/04/11/2018/FC/631, Dated: 14.02.2019
2. PCCF & Nodal Officer FCA letter no F14(Trans)2017/FCA/PCCF/513 dated: 25.02.2019 and 2278-79 date 24.08.2020 and 2952-53 date 14.10.2020 and 1074 date 16.03.2022, CCF letter no 4677 date 22.10.2020 and 4215 date 28.09.2020 and 2359 date 26.04.2022

महोदय,

उपरोक्त विषयान्तर्गत निवेदन है कि विषयांकित प्रकरण में भारत सरकार के पर्यावरण वन एवं जलवायु परिवर्तन मंत्रालय के क्षेत्रीय कार्यालय (जयपुर) के पत्रांक 8B/Raj/04/11/2018/FC/244, Dated: 06.07.2018 and Letter no 8B/Raj/04/11/2018/FC/631, Dated: 14.02.2019 द्वारा प्रस्ताव मे जारी सैद्धान्तिक स्वीकृति की बिन्दुवार पालना रिपोर्ट उप वन संरक्षक, झुंझुनू में उनके पत्रांक 9079 दिनांक 09.06.2022 के द्वारा इस कार्यालय में प्रेषित की है जो गूल ही आवश्यक कार्यवाही हेतु निम्नानुसार प्रेषित है:-


S.No	MOEF Condition	Compliance/Remarks by DCF
1	Legal Status of forest land shall remain unchanged	Undertaking Submitted by User Agency Enclosed
2	Compensatory afforestation over the degraded Forest land twice in extent to the Forest land being diverted (13.015X2= 26.030 ha) shall be raised and maintained by the State Forest Department at the cost of the user agency. The user agency shall transfer the cost of plantation and its maintenance for 10 year (raised as on date to incorporate the existing wage structure) to camp, New Delhi Account	The requisite fund of Rs. 41,75,212/- Towards Compensatory afforestation scheme paid by User agency in CAMPA account vide e Date 20.05.2022 Challan no INB/RTGS/UTIBR52022052000232167/8B/RAJ/04/11/201. If any change in present wage structure, the difference amount will be paid by User agency. Undertaking Submitted by User Agency Enclosed

3	<p>User agency need to deposit the Cost of raising and maintenance of DWARF species / medicinal species below the transmission line as per the revised rates as on date to incorporate the existing wage structure, to Campa, New Delhi Account.</p>	<p>The requisite fund of Rs. 83,32, Towards & Medicinal plantation scheme by User agency In CAMPA account vide 20.05.2022 Challan no</p> <p>INB/RTGS/UTIBR52022052000232167/8B/RA /04/11/201. If any change in present wage structure, the difference amount will be paid by User agency .. Undertaking Submitted by User Agency Enclosed</p>
4	<p>The User Agency shall pay the Net Present Value (NPV) of forest area proposed to be diverted under this proposal as per the order of Honourable Supreme court of India</p> <p>Writ Petition (Civil) No 202/1995 and the guidelines issued by this Ministry Vide its letter no 5-3/2007-FC dated 05/02/2009 in this regard.</p>	<p>The requisite fund of Rs. 34,82,438/- Towards 5.563Ha. of forest area outside protected area and rs. 2,33,24,760 towards 7.452HA. within protected area, totalling to Rs 2,68,07,198 has been deposited by NRSSXXXVI Transmission Limited to Ad-hoc CAMPA in the Compensatory afforestation Fund(CFA), Rajasthan. Details of RTGS Date 20.05.2022 Challan no</p> <p>INB/RTGS/UTIBR52022052000232167/8B/RA /04/11/201. Undertaking Submitted by User Agency Enclosed</p>
5	<p>Undertaking regarding Additional Amount of the diverted forest land, if any becoming due after finalization of the same by the Honourable Supreme court of India shall be paid the user agency, need to be furnished.</p>	<p>Undertaking Submitted by User Agency Enclosed</p>
6	<p>The boundary of the forest land proposed for diversion shall be demarcated on ground at the project cost, by erecting four feet high reinforced cement concrete pillars, each inscribed with its no. DGPS coordinates, forward and back bearing and distance from adjoining pillars etc.</p>	<p>Undertaking Submitted by User Agency Enclosed.</p>
7	<p>The compliance of condition no (ii) may be dealt in light of MOEF&CC Guideline vide their letter no F.No 11-327/2015-FC dt 18/08/2015. The state govt. may allow work only the forest area falling outside the protected area 5.563Ha. (Total proposed 13.015Ha.). No work shall be allowed in the area falling within the protected area. If any violation takes place the concerned forest officer would be responsible for that. The state govt should convey to this office about the decision of NBWL regarding wildlife clearance for the</p>	<p>Undertaking by user agency for Complying Additional conditions of Wildlife Clearance as per given minutes 52th meeting of standing committee of NBW dated 10.01.2019.</p>

	area falling within protected area. There fore only approval in principle should be applicable in the protected area in this matter.	
8	Muck disposal plan need to be submitted to this office after certifying from Divisional Forest Officer.	Undertaking Submitted by User Agency Enclosed
9	Divisional Forest Officer need to provide a certificate of non-violations of conditions as stipulated in: In Principle approval and Forest Conservation Act 1980.	No work carried out in forest area . user agency submitted undertaking, Enclosed
10	The user agency and the state Government shall ensure compliance to provisions of the all Acts. Rules, Regulations and Guidelines, for the time being in force, as applicable to the Project	Undertaking Submitted by User Agency Enclosed
11	In the process of issuing working permission by State Government for the project, shall abide by MOEF&CC Guideline dated 07/01/2015	User Agency is requesting to issue the working permission for completion of the national interest project and recommendation for Stage-2 final approval under FCA 1980 frpm Central Govt.

संलग्न :- 3 अंशानुसार (3 सेट)

भवदीय


(मनफूल सिंह)

मुख्य वन संरक्षक
जयपुर

कमांक:-एफ 5 () एफ.सी.ए./मुवसंज/2022-23/

दिनांक:-

प्रतिलिपि :- उप वन संरक्षक, झुंझुनुं को सूचनार्थ एवं आवश्यक कार्यवाही हेतु प्रेषित है।

॥
मुख्य वन संरक्षक
जयपुर

कार्यालय उप वन संरक्षक झुंझुनूं

क्रमांक :- एफ()उवसंझुं / सर्वे / 2022-23 / 9079

दिनांक :- 06-06-2022

मुख्य वन संरक्षक
जयपुर

विषय:- Diversion of 13.015 ha. of forest land in favour of NRSSXXXVI Transmission Limited, for the construction of 400 KV D/C babai (RRPVNL) to Bhiwani (PGCIL) Transmission line in Jhunjhunu forest division, Rajasthan. - Submission of Stage I compliance. (Proposal SEZ Part-D"

सन्दर्भ:-

1. User Agency letter no NRSSXXXVI/DEI/2022-23/08 Dated 30/05/2022
2. In Principal Approval letter from MOEF Integrated Regional office Jaipur letter no 8B/Raj/04/11/2018/FC/244, Dated: 06.07.2018 and Letter no 8B/Raj/04/11/2018/FC/631, Dated: 14.02.2019
3. APCCF & Nodal Officer FCA letter no F14(Trans)2017/FCA/PCCF/513 dated: 25.02.2019 and 2278-79 date 24.08.2020 and 2952-53 date 14.10.2020 and 1074 date 16.03.2022, CCF letter no 4677 date 22.10.2020 and 4215 date 28.09.2020 and 2359 date 26.04.2022

महोदय

उपरोक्त विषयान्तर्गत निवेदन है कि विषयांकित प्रकरण में भारत सरकार के पर्यावरण वन एवं जलवायु परितर्जन मंत्रालय के क्षेत्रीय कार्यालय (जयपुर) के पत्रांक 8B/Raj/04/11/2018/FC/244, Dated: 06.07.2018 and Letter no 8B/Raj/04/11/2018/FC/631, Dated: 14.02.2019 द्वारा प्रस्ताव के सैद्धान्तिक स्वीकृति जारी हुई है। संदर्भित पत्रों में उल्लेखित विन्दुओं की पूर्ति यूजर एजेन्सी द्वारा उनके पत्रांक NRSSXXXVI/DEI/2022-23/08 Dated 30/05/2022 द्वारा इस कार्यालय में प्रेषित कर कार्य की शुरु करने की अनुमति चाही है। यूजर एजेन्सी द्वारा प्रेषित विन्दुवार पालना रिपोर्ट निम्नानुसार है।

Sl.No	MOEF Condition	Compliance/Remarks by DCI
1	Legal Status of forest land shall remain unchanged	Undertaking Submitted by User Agency Enclosed
2	Compensatory afforestation over the degraded Forest land twice in extent to the Forest land being diverted (13.015X2= 26.030 ha) shall be raised and maintained by the State Forest Department at the cost of the user agency. The user agency shall transfer the cost of plantation and its maintenance for 10 year (raised as on date to incorporate the existing wage structure) to camp, New Delhi Account	The requisite fund of Rs. 41,75,212/- Towards Compensatory afforestation scheme paid by User agency in CAMPA account vide e Date 20.05.2022 Challan no INB/RTGS/UTIBR52022052000232167/8B/RAJ/04/11/201. If any change in present wage structure, the difference amount will be paid by User agency. Undertaking Submitted by User Agency Enclosed
3	User agency need to deposit the Cost of raising and maintenance of DWARF species / medicinal species below the transmission line as per the	The requisite fund of Rs. 83,32,685/- Towards & Medicinal plantation scheme paid by User agency in CAMPA account vide

	revised rates as on date to incorporate the existing wage structure, to Campa, New Delhi Account.	e Date 20.05.2022 Challan no INB/RTGS/UTIBR52022052000232167/8B /RAJ/04/11/201. If any change in present wage structure, the difference amount will be paid by User agency . Undertaking Submitted by User Agency Enclosed
4	The User Agency shall pay the Net Present Value (NPV) of forest area proposed to be diverted under this proposal as per the order of Honourable Supreme court of India Writ Petition (Civil) No 202/1995 and the guidelines issued by this Ministry vide its letter no 5-3/2007-FC dated 05/02/2009 in this regard.	The requisite fund of Rs 3532,138 Towards 5.563Ha. of forest area outside protected area and rs. 2,33,347 towards 7.452Ha. within protected area. Total Rs 2,68,07,193 has been deposited in NRSSXXXVI Transmission Limited to the Campa in the Compensatory afforestation Fund(CFA), Rajasthan. Details of RTGS Date 20.05.2022 Challan no INB/RTGS/UTIBR52022052000232167/8B /RAJ/04/11/201. Undertaking Submitted by User Agency Enclosed
5	Undertaking regarding Additional Amount of the diverted forest land, if any becoming due after finalization of the same by the Honourable Supreme court of India shall be paid the user agency, need to be furnished.	Undertaking Submitted by User Agency Enclosed
6	The boundary of the forest land proposed for diversion shall be demarcated on ground at the project cost, by erecting four feet high reinforced cement concrete pillars, each inscribed with its no. DGPS coordinates, forward and back bearing and distance from adjoining pillars etc.	Undertaking Submitted by User Agency Enclosed.
7	The compliance of condition no (ii) may be dealt in light of MOEF&CC Guideline vide their letter no F.No 11-327/2015-FC dt 18/08/2015. The state govt. may allow work only the forest area falling outside the protected area 5.563Ha. (Total proposed 13.015Ha.). No work shall be allowed in the area falling within the protected area. If any violation takes place the concerned forest officer would be responsible for that. The state govt should convey to this office about the decision of NBWL regarding wildlife clearance for the area falling within protected area. Therefore only approval in principle should be applicable in the protected area in this matter.	Undertaking by user agency for Complying Additional conditions of Wildlife Clearance as per given minutes 52th meeting of standing committee of NBW dated 10.01.2019.
8	Muck disposal plan need to be submitted to this office after certifying from Divisional Forest Officer	Undertaking Submitted by User Agency Enclosed
9	Divisional Forest Officer need to provide a certificate of non-violations of conditions as	No work carried out in forest area . user agency submitted undertaking, Enclosed

	stipulated in In Principle approval and Forest Conservation Act 1980.	
10	The user agency and the state Government shall ensure compliance to provisions of the all Acts. Rules, Regulations and Guidelines, for the time being in force, as applicable to the Project	Undertaking Submitted by user agency. Enclosed
11	In the process of issuing working permission by State Government for the project, shall abide by MOEF&CC Guideline dated 07/01/2015	User Agency is requesting to issue the working permission for completion of the national interest project and recommendation for Stage-2 final approval under FCA 1980 from Central Govt.

संलग्न :- चार स्तर (4)

भवदीय

(राजेन्द्र कुमार हुड्डा)
उप वन संरक्षक
इ.पु.नं.

क्रमांक:- एफ()/उवसं./2022-23/

दिनांक:-

1 प्रतिलिपि :- अतिरिक्त प्रधान मुख्य वन संरक्षक, वन सुरक्षा एवं नोडल अधिकारी एफसीए अरण्य भवन, जयपुर को सूचानार्थ एवं आवश्यक कार्यावाही हेतु।

(राजेन्द्र कुमार हुड्डा)
उप वन संरक्षक
इ.पु.नं.

NRSS XXXVI TRANSMISSION LIMITED

Registered Office: 94, Pocket-4, Sector-11, Dwarka, New Delhi - 110075

Corporate Office: Shatabdi Bhawan, B 12 & 13, Sector 4, Noida, Uttar Pradesh - 201301

CIN: U40300DL2015PLC284168 • Tel.: +91-7042053497 / +022- 6717-2869 • Email ID: sect.nrss@gmail.com

Ref: NRSS XXXVI/DEL/2022-23/08

Dated: 30.05.2022

To,

The Divisional Forest Officer

Jhunjhunu Forest Division, Jhunjhunu, Rajasthan.

Sub: Diversion of 13.015Ha of Forest land in favor of NRSSXXXVI Transmission limited, for the construction of 400kV D/C Babai (RRPVNL) to Bhiwani (PGCIL) Transmission line in Jhunjhunu Forest division, Rajasthan. – Submission of Stage I compliance. (Proposal no FP/RAJ/TRANS/28622/2017)

Ref: i) In-Principle Approval (Stage-I) letter no. 8B/Raj/04/11/2018/FC/244, dated 6th July 2018 and Letter no 8B/Raj/04/11/2018/FC/631, dated 14th Feb 2019 issued by MOEF & CC, Regional Office, Lucknow.

ii) PCCF & Nodal officer FCA letter F14(Trans) 2017/FCA/PCCF/514-15 dated 25.02.2019 and 2278-79 dated 24.8.2020 and 2952-53 dated 14.10.2020 ,CCF letter no. 4677 dated 22.10.2020 and you good office earlier no. 8789 dated 30.7.2018 ,379 dated ; 5.4.2019,4280 dated 1.6.2020 ,10891 dated 27.10.2020 ,880 dated 28.1.2021 and recent letter no. Demand Note 3727 dated 28.4.2022

Dear Sir,

At the outset, we would like to thank you for your kind support and guidance rendered to us till date. Ministry of Environment, Forest & Climate Changes (MOEF&CC), Central Regional Office, Lucknow has accorded In-Principle approval with certain conditions vide their letter no. 8B/Raj/04/11/2018/FC/244, dated 6th July 2018 for diversion of 5.563 Ha. of forest land and Letter no 8B/Raj/04/11/2018/FC/244, dated 14th Feb 2019 for diversion of 7.452Ha (combined 13.015Ha) in Jhunjhunu Forest Division in favour of NRSSXXXVI Transmission limited, for the construction of 400kV D/C Babai (RRPVNL) to Bhiwani (PGCIL) Transmission line. As directed by you vide letter (ii) in reference, we have fulfilled all the conditions stipulated to us.

Compliance report against various stipulated conditions are as below:

Sl.No	Conditions Stipulated by MoEF&CC, Lucknow as in In-Principal Approval.	Compliance By NRSSXXXVI Transmission limited
1	Legal status of forest land proposed for diversion shall remain unchanged.	Agreed, Undertaking enclosed as Annexure - 1

NRSS XXXVI TRANSMISSION LIMITED

Registered Office: 94, Pocket-4, Sector-11, Dwarka, New Delhi - 110075

Corporate Office: Shatabdi Bhawan, B 12 & 13, Sector 4, Noida, Uttar Pradesh - 201301

CIN: U40300DL2015PLC284168 • Tel.: +91-7042053497 / +022- 6717-2869 • Email ID: sect.nrss@gmail.com

2	Compensatory Afforestation over the degraded forest land twice in extent to the forest land being diverted (13.015 x 2 = 26.030Ha) shall be raised and maintained by the State Forest Department at the cost of the user agency. The user agency shall transfer the cost of plantation and its maintenance for 10 years (revised as on date to incorporate the existing wage structure) to Campa, New Delhi Account.	The requisite fund of Rs.41,75,212/- towards Compensatory Afforestation has been deposited by NRSSXXXVI Transmission Limited to Ad-hoc CAMPA in the Compensatory Afforestation Fund (CAF), Rajasthan Dated ; 20.5.2022 INB/RTGS/UTIBR52022052000232167//8B/RAJ/04/11/201 . If any change in present wage structure, the difference amount will be paid by NRSSXXXVI Transmission Limited. Details of RTGS transaction copy and confirmation enclosed as Annexure-2, Undertaking enclosed as Annexure 3
3	User Agency need to deposit the cost of raising and maintenance of dwarf species/medicinal species below the transmission line as per revised rates as on date to incorporate the existing wage structure, to Campa, New Delhi Account.	The requisite fund of Rs.83,32,685/- towards Medicinal Plantation has been deposited by NRSSXXXVI Transmission Limited to Ad-hoc CAMPA in the Compensatory Afforestation Fund (CAF), Rajasthan Dated ; 20.5.2022 INB/RTGS/UTIBR52022052000232167//8B/RAJ/04/11/201 . Annexure 2. If any change in present wage structure, the difference amount will be paid by NRSSXXXVI Transmission Limited. Undertaking enclosed as Annexure 4
4	The user agency shall pay the Net Present Value (NPV) of forest area proposed to be diverted under this proposal as per the Orders of Hon'ble Supreme Court of India on Writ Petition (Civil) No. 202/1995 and the guidelines issued by this Ministry vide its letter No. 5-3/2007-FC dated 05.02.2009 in this regard.	The requisite fund of Rs. 34,82,438/- towards 5.563Ha of forest area outside protected area and Rs. 2,33,24,760/- towards 7.452Ha within protected area, totaling to Rs 2,68,07,198/- has been deposited by NRSSXXXVI Transmission Limited to Ad-hoc CAMPA in the Compensatory Afforestation Fund (CAF), Rajasthan. Details of RTGS transaction Dated ; 20.5.2022 INB/RTGS/UTIBR52022052000232167//8B/RAJ/04/11/201 and confirmation enclosed as Annexure-2.
5	Undertaking regarding Additional amount of the diverted forest land, if any becoming due after finalization of the same by the Hon'ble Supreme Court of India, shall be paid by the user agency, need to be furnished.	Agreed. NRSSXXXVI Transmission Limited hereby undertakes to pay the additional amount of NPV, if so determined. Copy enclosed as Annexure-5.
6	The boundary of the forest land proposed for diversion shall be demarcated on ground at the project cost, by erecting four feet high reinforced cement concrete pillars, each inscribed with its serial no. DGPS coordinates,	Agreed, we have already completed the demarcation on the ground with reinforced cement concrete pillars with inscribed with its serial no. DGPS coordinates, forward and back bearing and the distance from pillar to pillar. However an undertaking regarding the

NRSS XXXVI TRANSMISSION LIMITED

Registered Office: 94, Pocket-4, Sector-11, Dwarka, New Delhi - 110075

Corporate Office: Shatabdi Bhawan, B 12 & 13, Sector 4, Noida, Uttar Pradesh - 201301

CIN: U40300DL2015PLC284168 • Tel.: +91-7042053497 / +022- 6717-2869 • Email ID: sect.nrss@gmail.com

	forward and back bearing and distance from adjoining pillars etc.	completion of the pillar posting work has been attached in Annexure-6 .
7	The compliance of condition no (ii) may be dealt in light of MoEF&CC guideline vide their letter no F.No.11-327/2015-FC dated 18.08.2015. The state govt. may allow work only the forest area falling outside the protected area 5.563 Ha (Total Proposed 13.015Ha). No work shall be allowed in the area falling within the protected area. If any violation takes place the concerned forest officer would be responsible for that. The state govt should convey to this office about the decision of NBWL regarding wildlife clearance for the area falling within protected area. Therefore only, the approval in principle should be applicable in the protected area in this matter.	In principle approval for remaining area falling within Protected area has been issued vide MoEF &CC letter No 8B/Raj/04/11/2018/FC/244, dated 14th Feb 2019 . We hereby undertake to comply the conditions stipulated in the approval letter. Annexure-7
8	Muck disposal Plan need to be submitted to this office after certifying from Divisional Forest Officer.	NRSSXXXVI has enclosed an undertaking stating that there will not be any muck which would require disposal. The soil excavated will be refilled at the same place after completing the foundation activity. Annexure-8
9	Divisional forest Officer need to provide a certificate of non-violations of conditions as stipulated in In Principle approval and Forest Conservation Act 1980.	User Agency has not violated any conditions as stipulated in In principle approval nor of FCA 1980. Annexure 9
10	The User Agency and the State Government shall ensure compliance to provisions of the all Acts, Rules, Regulations and Guidelines, for the time being in force, as applicable to the Project.	Agreed , All the compliance to all Acts, Rules, Regulations and Guidelines, for the time being in force, as applicable to the Project will be complied with. Undertaking regarding same has been enclosed as Annexure-10 .
11	In the process of issuing working permission by State government for the project, shall abide by MoEF&CC guideline dated 07.01.2015.	NRSSXXXVI transmission Limited is requesting to issue the working Permission for completion of the national interest project and recommendation for Stage-2 final approval under FCA 1980 from Central Govt.

NRSS XXXVI TRANSMISSION LIMITED

Registered Office: 94, Pocket-4, Sector-11, Dwarka, New Delhi - 110075

Corporate Office: Shatabdi Bhawan, B 12 & 13, Sector 4, Noida, Uttar Pradesh - 201301

CIN: U40300DL2015PLC284168 • Tel.: +91-7042053497 / +022- 6717-2869 • Email ID: sect.nrss@gmail.com

Online proposal no. FP/RAJ/TRANS/28622/2017 In Principle approval approval for entire 13.1015 Ha including Protected area under reference to Regional Office MoEF & CC , Lucknow letter no. Letter no 8B/Raj/04/11/2018/FC/631, dated 14th Feb 2019 issued by MOEF & CC, Regional Office, Lucknow issued after getting duly recommendation from Secy. Forest Rajasthan State Govt. letter no. 20/Van dated 6.2.2019 – Agreed for compliance ;

- 1) Standing Committee of National Board of Wildlife meeting under the Chairmanship of Hon'ble Minister of Environment, Forest & Climate Change, New Delhi dated; 10.1.2019, minutes of 52nd meeting of standing committee of NBWL –reg.
- 2) Installation of Bird Divertor's on transmission line : Agreed

Therefore in view of above, we are requesting your good self to grant us the working permission and tree cutting permission in forest area as per MoEF notification F.No. 11-306/2014-FC dated 7th May 2015 and F.No. 11-306/2014-FC (pt.) dated 28th august 2015. In addition kindly do the needful to accord us the Final Approval as per Section 2 of FCA Act 1980 and support us in timely completion of National interest inter-state transmission line.

Thanking You

Encl: As above.

Yours Faithfully


Signature on behalf of NRSS XXXVI .
Rajnish Mehrotra

Head Forest & Wildlife

NRSS XXXVI Transmission Ltd.
Rajnish.Mehrotra
Head Environment Forest & Wildlife

Copy to : Chief Wildlife Warden , Jaipur Rajasthan

Copy to : Nodal Officer FCA , Jaipur Rajasthan

NRSS XXXVI TRANSMISSION LIMITED

Registered Office: 94, Pocket-4, Sector-11, Dwarka, New Delhi - 110075

Corporate Office: Shatabdi Bhawan, B 12 & 13, Sector 4, Noida, Uttar Pradesh - 201301

CIN: U40300DL2015PLC284168 • Tel.: +91-7042053497 / +022- 6717-2869 • Email ID: sect.nrss@gmail.com

Annexure-1

UNDERTAKING FOR LEGAL STATUS OF LAND

We, M/s. NRSSXXXVI Transmission Limited undertake that the legal status for 13.015Ha of forest area/land in Jhunjhunu forest division being diverted for construction of D/C Babai (RRPVNL) to Bhiwani (PGCIL) Transmission line will remain unchanged.

Date: 30/5/22

Place: Noida

Signature on behalf of NRSS XXXVI .

Name in Block Letter : RAJNISH MEHROTRA

Designation : Head (Environment & Forest)

For, NRSS XXXVI Transmission Ltd.
Rajnish Mehrotra
Head Environment Forest & Wildlife

NRSS XXXVI TRANSMISSION LIMITED

Registered Office: 94, Pocket-4, Sector-11, Dwarka, New Delhi - 110075

Corporate Office: Shatabdi Bhawan, B 12 & 13, Sector 4, Noida, Uttar Pradesh - 201301

CIN: U40300DL2015PLC284168 • Tel.: +91-7042053497 / +022- 6717-2869 • Email ID: sect.nrss@gmail.com

Annexure-2

Payment Confirmation

We, NRSSXXXVI Transmission Limited have deposited following amount as per demand note raised by Divisional Forest Officer Jhunjunu letter no. 3727 dated ; 28.4.2022. The details are as below:

Sl.No	Description	Amount in Rs	Transaction details
1	Compensatory Afforestation	4175212	Dated ; 20.5.2022 INB/RTGS/UTIBR52022052000 232167//8B/RAJ/04/11/201 (Attached)
2	Medicinal Plantation	8332685	
3	NPV	2,68,07,198.00	

Date: 30/5/22
Place: NOIDA

Signature on behalf of NRSS XXXVI :

Name in Block Letter : RAJNISH MEHROTRA

Designation : Head (Environment & Forest)

Authorized Signatory
Rajnish Mehrotra
Head Environment Forest & Wildlife
Transmission Ltd.

NRSS XXXVI TRANSMISSION LIMITED

Registered Office: 94, Pocket-4, Sector-11, Dwarka, New Delhi - 110075

Corporate Office: Shatabdi Bhawan, B 12 & 13, Sector 4, Noida, Uttar Pradesh - 201301

CIN: U40300DL2015PLC284168 • Tel.: +91-7042053497 / +022- 6717-2869 • Email ID: sect.nrss@gmail.com

Annexure-3

UNDERTAKING OF ADDITIONAL COST TOWARDS CA

We, M/s. NRSSXXXVI Transmission Limited hereby undertake to pay the differences or additional amount in respect to Compensatory Afforestation if there is any change in wage rate if any, determined as per the decision of State Forest Department.

Date: 30/5/22

Place: Noida

Signature on behalf of NRSS XXXVI:

Name in Block Letter : RAJNISH MEHROTRA

Designation : Head (Environment & Forest)

For, NRSS XXXVI Transmission Ltd.
Rajnish Mehrotra
Head Environment Forest & Wildlife

NRSS XXXVI TRANSMISSION LIMITED

Registered Office: 94, Pocket-4, Sector-11, Dwarka, New Delhi - 110075

Corporate Office: Shatabdi Bhawan, B 12 & 13, Sector 4, Noida, Uttar Pradesh - 201301

CIN: U40300DL2015PLC284168 • Tel.: +91-7042053497 / +022- 6717-2869 • Email ID: sect.nrss@gmail.com

Annexure – 4

UNDERTAKING OF ADDITIONAL COST TOWARDS MEDICINAL PLANTATION

We, M/s. NRSSXXXVI Transmission Limited hereby undertake to pay the differences or additional amount in respect to Medicinal Plantation if there is any change in wage rate if any, determined as per the decision of State Forest Department.

Date: 30/5/22

Place: Noida

Signature on behalf of NRSS XXXVI:

Name in Block Letter : RAJNISH MEHROTRA

Designation : Head (Environment & Forest)

For, NRSS XXXVI Transmission Ltd.
Rajnish Mehrotra
Head Environment Forest & Wildlife

NRSS XXXVI TRANSMISSION LIMITED

Registered Office: 94, Pocket-4, Sector-11, Dwarka, New Delhi - 110075

Corporate Office: Shatabdi Bhawan, B 12 & 13, Sector 4, Noida, Uttar Pradesh - 201301

CIN: U40300DL2015PLC284168 • Tel.: +91-7042053497 / +022- 6717-2869 • Email ID: sect.nrss@gmail.com

Annexure – 5

UNDERTAKING OF ADDITIONAL NPV

We, M/s. NRSSXXXVI Transmission Limited have deposited the Net Present Value (NPV) for 13.015 Ha of forest land to be diverted for non-forestry activity as raised by State government as per MoEF guidelines and Hon'ble Supreme court order.

We also hereby undertake to pay the differences or additional amount of NPV if any, determined as per the decision of Hon'ble Supreme court of India.

Date: 30/5/22
Place: Noida

Signature on behalf of NRSS XXXVI :

Name in Block Letter : RAJNISH MEHROTRA

Designation

: Head (Environment & Forest)

Authorized Signatory
For NRSS XXXVI Transmission Ltd.
Rajnish Mehrotra
Head Environment Forest & Wildlife

NRSS XXXVI TRANSMISSION LIMITED

Registered Office: 94, Pocket-4, Sector-11, Dwarka, New Delhi - 110075

Corporate Office: Shatabdi Bhawan, B 12 & 13, Sector 4, Noida, Uttar Pradesh - 201301

CIN: U40300DL2015PLC284168 • Tel.: +91-7042053497 / +022- 6717-2869 • Email ID: sect.nrss@gmail.com

Annexure – 6

UNDERTAKING FOR DEMARCATING BOUNDARY OF FOREST LAND

We, M/s. NRSSXXXVI Transmission Limited have completed the demarcation of forest boundary of diverted area with reinforced cement concrete inscribed with pillar no, DGPS coordinates, back earing and front bearing along with distances from pillar to pillar.

Date: 30/5/22

Place: NOIDA

Signature on behalf of NRSS XXXVI . :

Name in Block Letter : RAJNISH MEHROTRA

Designation : Head (Environment & Forest)

For, NRSS XXXVI Transmission Ltd.
Rajnish Mehrotra
Head Environment Forest & Wildlife

NRSS XXXVI TRANSMISSION LIMITED

Registered Office: 94, Pocket-4, Sector-11, Dwarka, New Delhi - 110075

Corporate Office: Shatabdi Bhawan, B 12 & 13, Sector 4, Noida, Uttar Pradesh - 201301

CIN: U40300DL2015PLC284168 • Tel.: +91-7042053497 / +022- 6717-2869 • Email ID: sect.nrss@gmail.com

Annexure – 7

UNDERTAKING FOR COMPLYING ADITIONAL CONDITIONS by NRSS XXXVI W.R.T WILDLIFE CLEARANCE as directed in DFO office Jhunjunu letter 3727 dated 28.4.2022

This is to certify and ensured that M/s NRSSXXXVI Transmission Limited will comply all the conditions as mentioned in wildlife clearance which are as below :

1. The 5% of propionate project cost of Rs 15,97,316.00 has been deposited in Rajasthan protected Area Conservation Society A/c Number 61087162999 IFSC code SBI0031510 State Bank of India Tilak Marg Jaipur .Dated;20.5.2022 INB/NEFT/AXIC221403639295/RAJASTHAN P/2022-23/372 .
2. No work shall be executed before sunrise and after sunset in protected area.
3. No material of any kind should be extracted from the Protected area and Eco Sensitive zone.
4. There will be no felling of trees and burning of fuel wood inside protected area and its Eco sensitive zone. However necessary permission for tree cutting will be obtained by DCF Jhunjunu.
5. The waste material generated should be disposed outside the protected area and its Eco Sensitive Zone.
6. There will be no- labour camp within 1Km from protected area boundary.
7. No blasting will be carried out within 1km from the boundary of Protected area during the work.
8. There shall be no High Mast/beam/search lights and high sounds within 1km of from protected area boundary.
9. Signages regarding information about the wild animals in the area, control of the traffic volumes, speed, etc should be erected in the project.
10. Maintenance activity of any nature should be carried out only after seeking formal approval from competent authority of the protected area.
11. The user agency shall conform to the guidelines for laying transmission lines through forest area given by MoEF&CC dated 24.10.2016
12. The user agency and project personnel will comply with the provision of the Wildlife (Protection) Act 1972.
13. For diversion of Forest land, the user agency will obtained the permission /approval under the forest conservation act,1980 as per order MoEF&CC central region Lucknow under Forest (Conservation) Act 1980 as per order dated 28.03.2008 and 3/2007-FC dated 05.02.2009.
14. Permission for starting the work on the project shall be obtained by NRSS XXXVI and will also comply the conditions imposed by State Chief Wildlife warden.
15. The annual compliance report of the stipulated conditions will be submitted by NRSS- XXXVI to the State Chief wildlife warden.

Regd. Office: 94, Pocket-4, Sector-11, Dwarka, New Delhi-110075

Authorized Signatory
For NRSS XXXVI Transmission Ltd.
Anish Mehrotra
Head Environment Forest & Wildlife

NRSS XXXVI TRANSMISSION LIMITED

Registered Office: 94, Pocket-4, Sector-11, Dwarka, New Delhi - 110075

Corporate Office: Shatabdi Bhawan, B 12 & 13, Sector 4, Noida, Uttar Pradesh - 201301

CIN: U40300DL2015PLC284168 • Tel.: +91-7042053497 / +022- 6717-2869 • Email ID: sect.nrss@gmail.com

Date: 30/5/22

Place: No 10A.

Signature on behalf of NRSS XXXVI ;

Name in Block Letter : RAJNISH MEHROTRA

Designation : Head (Environment & Forest)

For, NRSS XXXVI Transmission Ltd.
Rajnish Mehrotra
Head Environment Forest & Wildlife

Annexure - 8

NRSS XXXVI TRANSMISSION LIMITED

Registered Office: 94, Pocket-4, Sector-11, Dwarka, New Delhi - 110075

Corporate Office: Shatabdi Bhawan, B 12 & 13, Sector 4, Noida, Uttar Pradesh - 201301

CIN: U40300DL2015PLC284168 • Tel.: +91-7042053497 / +022- 6717-2869 • Email ID: sect.nrss@gmail.com



UNDERTAKING FOR MUCK DISPOSAL PLAN

We, NRSSXXXVI Transmission Limited, do hereby undertake that there is no need of muck disposal plan as all excavated soil will be refilled after foundation work and no soil would have to be disposed off.

Date: 30-5-22

Place: NOIDA

Signature on behalf of NRSS XXXVI :

Name in Block Letter : RAJNISH MEHROTRA

Designation : Head (Environment & Forest)

For, NRSS XXXVI Transmission Ltd.
Rajnish Mehrotra
Head Environment Forest & Wildlife

NRSS XXXVI TRANSMISSION LIMITED

Registered Office: 94, Pocket-4, Sector-11, Dwarka, New Delhi - 110075

Corporate Office: Shatabdi Bhawan, B 12 & 13, Sector 4, Noida, Uttar Pradesh - 201301

CIN: U40300DL2015PLC284168 • Tel.: +91-7042053497 / +022- 6717-2869 • Email ID: sect.nrss@gmail.com

Annexure – 9

NON VOILATION OF FOREST CONSERVATION ACT 1980

We, NRSSXXXVI Transmission Limited, do hereby undertake that there is no violation of Forest Conservation Act 1980 and the conditions stipulated in In Principle approval.

Date: 30-5-22

Place: NOIDA

Signature on behalf of NRSS XXXVI:

Name in Block Letter : RAJNISH MEHROTRA

Designation : Head (Environment & Forest)

For, NRSS XXXVI Transmission Ltd.
Rajnish.Mehrotra
Head Environment Forest & Wildlife

NRSS XXXVI TRANSMISSION LIMITED

Registered Office: 94, Pocket-4, Sector-11, Dwarka, New Delhi - 110075

Corporate Office: Shatabdi Bhawan, B 12 & 13, Sector 4, Noida, Uttar Pradesh - 201301

CIN: U40300DL2015PLC284168 • Tel.: +91-7042053497 / +022- 6717-2869 • Email ID: sect.nrss@gmail.com

Annexure – 10

UNDERTAKING FOR COMPLYING ADITIONAL CONDITIONS BY MoEF&CC.

This is to certify and ensured that we, M/s NRSSXXXVI Transmission Limited have compiled all the stipulated conditions as per the MoEF&CC in consideration to the diversion of 13.015 Ha of forest land for construction of 400kV D/C Babai (RRPVNL) to Bhiwani (PGCIL) Transmission line in Jhunjhunu Forest Division.

Further we hereby undertake that if any additional conditions are stipulated to us by Ministry of Environment, Forest & Climate Change, in the interest of conservation, protection and development of forest and wildlife will be complied by NRSS XXXVI.

Date: 30/5/22
Place: NOIDA

Signature on behalf of NRSS XXXVI : 

Name in Block Letter : RAJNISH MEHROTRA

Designation : Head (Environment & Forest)

Rajnish Mehrotra
Head Environment Forest & Wildlife

AGENCY COPY



NEFT / RTGS CHALLAN for CAMPA Funds

Date : 13-05-2022

Agency Name.	NRSS XXXVI TRANSMISSION LIMITED
Application No.	6428622896
MoEF/SG File No.	8B/RAJ/04/11/2018/FC
Location.	RAJASTHAN
Address.	A 26/3, Mohan Cooperative Industrial Estate, Sarita Viahr, New DelhiSouth
Amount(in Rs)	39315095/-

Amount in Words :Three Crore Ninety-Three Lakh Fifteen
Thousand and Ninety-Five Rupees Only

**NEFT/RTGS to be made as per following
details;**

Beneficiary Name:	RAJASTHAN CAMPA
IFSC Code:	UBIN0903710
Pay to Account No.	150856428622896 Valid only for this challan amount.
Bank Name & Address:	Union Bank Of India Lodhi Complex Branch, Block 11,CGO Complex, Phase I, Lodhi Road, New Delhi -110003

- This Challan is strictly to be used for making
payment to CAMPA by NEFT/RTGS only

BANK COPY



NEFT / RTGS CHALLAN for CAMPA Funds

Date : 13-05-2022

Agency Name.	NRSS XXXVI TRANSMISSION LIMITED
Application No.	6428622896
MoEF/SG File No.	8B/RAJ/04/11/2018/FC
Location.	RAJASTHAN
Address:	A 26/3, Mohan Cooperative Industrial Estate, Sarita Viahr, New Delhi South
Amount(in Rs)	39315095/-

Amount in Words :Three Crore Ninety-Three Lakh Fifteen
Thousand and Ninety-Five Rupees Only

**NEFT/RTGS to be made as per following
details;**

Beneficiary Name:	RAJASTHAN CAMPA
IFSC Code:	UBIN0903710
Pay to Account No.	150856428622896 Valid only for this challan amount.
Bank Name & Address:	Union Bank Of India Lodhi Complex Branch, Block 11,CGO Complex, Phase I, Lodhi Road, New Delhi -110003

- This Challan is strictly to be used for making
payment to CAMPA by NEFT/RTGS only

After making successful payment, User Agencies may send a line of confirmation through
Email: helpdeskampa@corpbank.co.in

Note:After making the required payment through challan, if the payment status has not been updated
even after 7 working days, then kindly mail a copy of your challan with transaction date to
Email: cb0371@unionbankofindia.com

कार्यालय उप वन संरक्षक, झुंझुनू

क्रमांक :-एफ()एफसीए/उवसझ/2022-23/3727

दिनांक:- 28-04-2022

NRSSXXXVI Transmission limited,
A 26/3, Mohan cooperative industrial
Estate, Sarita Vihar, New Delhi.

विषय:-Diversion of 13.015Ha of Forest land in favor of NRSSXXXVI Transmission limited, for the construction of 400kV D/C Babai (RRPVNL) to Bhiwani (PGCIL) Transmission line in Jhunjhunu district.

संदर्भ:-भारत सरकार के पर्यावरण, वन एवं जलवायु परिवर्तन मंत्रालय क्षेत्रीय कार्यालय (मध्य) के पत्र सं० 8बी/राज०/04/11/2018/एफ.सी./244 दिनांक 06.07.18 एवं 631 दिनांक 14.02.2019 द्वारा जारी सैद्धान्तिक स्वीकृति, प्रधान मुख्य वन संरक्षक एवं नोडल अधिकारी एफसीए का पत्रांक एफ 14 (Trans)2017/एफसीए/प्रमुवस/514-15 दिनांक 25.02.2019 एवं 2278-79 दिनांक 24.08.2020 व 2952-53 14.10.2020 मुख्य वन संरक्षक का पत्रांक 4677 दिनांक 22.10.2020 व इस कार्यालय का पूर्व पत्रांक 8789 दिनांक 30.07.2018, 3792 दिनांक 05.04.2019, 4280 दिनांक 01.06.2020, 10891 दिनांक 27.10.2020, 880 दिनांक 28.01.2021 के क्रम में।

महोदय,

उपरोक्त विषयान्तर्गत लेख है कि आलोच्य प्रकरण में वन संरक्षण अधिनियम 1980 के तहत कुल 13.015 हैक्टर में से बांसियाल-खेतड़ी कंजर्वेशन रिजर्व क्षेत्र को छोड़कर 5.563 हैक्टर की स्वीकृति की पालना हेतु इस कार्यालय के पूर्व पत्रांक 880 दिनांक 28.01.2021 द्वारा लिखा गया था, जो आज दिनांक तक अपेक्षित है। चूंकि वर्तमान में क्षतिपूर्ति वृक्षारोपण की दरों में परिवर्तन हो गया है। अतः संशोधित दरों के अनुसार राशि ऑन लाईन ई-चालन से जमा करावें। इसके अलावा शेष बांसियाल-खेतड़ी कंजर्वेशन रिजर्व में पड़ने वाली 7.452 हैक्टर वनभूमि के प्रत्यावर्तन की सैद्धान्तिक स्वीकृति में वर्णित शर्तों की बिन्दुवार पालना हेतु निर्देश प्राप्त हुए हैं। अधिरोपित शर्तों की निम्नानुसार बिन्दुवार पालना आपके द्वारा अपेक्षित है:-
शर्त सं० 1 की पालना में राष्ट्रीय वन्य जीव बोर्ड की स्थायी समिति 52 बैठक के कार्यवृत्त दिनांक 10.01.2019 में पैरा 52.3.5 में दी गई शर्तों की बिन्दुवार पालना करना सुनिश्चित की जावें।

1. The 5% of proportional project cost of Rupees 1597316.00 to be deposit in the Rajasthan Protected Area Conservation Society A/c Number 61087162999 IFSC Code SBI0031510 State bank of India Tilak Marg Jaipur and send the deposit acknowledgement slip to this office.
2. No work shall be done before sunrise and after sunset in the project area.
3. No material of any kind should be extracted from the Protected Area and EcoSensitive Zone.
4. There will be no felling of trees and burning of fuel wood inside the Protected Area and Eco-Sensitive Zone.
5. The waste material generated should be disposed outside the Protected Area and Eco-Sensitive Zone.
6. There will be no labour camp within 1 km from the boundary of Protected Area.
7. No blasting will be carried out within 1 km from the boundary of Protected Area during the work.
8. There shall be no high mast/beam/search lights & high sounds within 1 km from the Protected Area boundary.
9. Signages regarding information about the wild animals in the area, control of the traffic volumes, speed etc should be erected in the project area.
10. Maintenance activity of any nature should be carried out only after seeking formal approval from competent authority of the protected area.
11. The user agency shall conform to guidelines for laying transmission lines through forest areas given by MoEF&CC dated 24.10.2016.
12. The user agency and project personnel will comply with the provisions of the Wildlife (Protection) Act, 1972.
13. For diversion of forest land the user agency will obtain permission/approval under Forest Conservation Act, 1980 as per order dated 28.03.2008 and 3/2007-FC dated 05.02.2009.

After discussions, the Standing Committee decided to recommend the project subject to the following conditions:

- (a) Permission for starting the work on the project shall be granted by the state government only when animal passage plan is prepared by the project proponent in consultation with the State Chief Wildlife Warden on the basis of WII guidelines named Eco-friendly Measures to Mitigate Impacts on Linear Infrastructures on Wildlife.
- (b) The project proponent will comply with all the conditions imposed by the State Chief Wildlife Warden.
- (c) The annual compliance certificate on the stipulated conditions should be submitted by the project proponent to the State Chief Wildlife Warden and an annual compliance certificate shall be submitted by the State Chief Wildlife Warden to Govt.

बिन्दु संख्या 2 की पालना में पारेषण लाईन पर निश्चित अन्तराल में डाईवर्ट्स (Diverts) लगावे तथा प्रकरण में पूर्व में जारी सैद्धान्तिक स्वीकृति दिनांक 06.07.2018 की पालना भी निम्नानुसार बिन्दुवार किया जाना सुनिश्चित करे।

1. शर्त सं0 1 की पालना में वन भूमि की वैधानिक स्थिति में कोई परिवर्तन नहीं होगा। इस आशय का वचनबद्धता प्रमाण पत्र प्रस्तुत करें।
2. शर्त सं0 2 की पालना में क्षतिपूर्ति वृक्षारोपण के अन्तर्गत प्रभावित वनभूमि के दुगुने अर्थात् 26.030 हैक्टर अवनत वन भूमि पर वृक्षारोपण दर 160400 के हिसाब से रूपये 4175212/- जमा करावें।
3. शर्त सं0 3 की पालना में विधुत लाईन के निचे दोनों ओर रिक्त पड़े स्थानों पर छोटे/बौने पौधों (औषधीय महत्व) के वृक्षारोपण एवं रखरखाव हेतु वर्तमान वृक्षारोपण दर 640237/- के हिसाब से रूपये 8332685/- रूपये जमा करावे।
4. शर्त सं0 4 की पालना में एनपीवी राशि दर 6,26,000 से बांसियाल-खेतडी कन्जर्वेशन रिजर्व क्षेत्र को छोड़कर 5.563 क्षेत्र वन भूमि प्रत्यावर्तन के 3482438/- रूपये तथा वन्य जीव संरक्षित क्षेत्र में पड़ने वाले 7.452 में एनपीवी की राशि पांच गुना अर्थात् $5 \times 626000 \times 7.452 = 23324760$ रु. जमा करावें।
उपरोक्त बिन्दू संख्या 2, 3 व 4 के क्रम में कुल राशि FCA ऑनलाईन पोर्टल के माध्यम से मदवार जमा करा ऑनलाईन ई रसीद की छायाप्राति भिजवायें।
5. शर्त सं0 5 की पालना में इस आशय का प्रमाण पत्र भिजवायें कि यदि भविष्य में एनपीवी की धनराशि में बढ़ोतरी होती है तो बढी हुई धनराशि जमा की जायेगी।
6. शर्त सं0 6 की पालना में प्रत्यावर्तित वन भूमि का विधिवत स्वीकृति के बाद प्रयोक्ता अभिकरण के व्यय पर 4 फुट उंचे सीमा स्तम्भों द्वारा सीमांकन किया जाकर पिल्लरों पर क्रमांक, डीजीपीएस निर्देशांक, बैकवर्ड एवं फोरवर्ड बियरिंग एवं निकटवर्ती पिल्लरों से दुरी दर्शायी जावेगी। इस आशय का वचनबद्धता प्रमाण पत्र प्रस्तुत करें।
7. शर्त सं0 8 की पालना में प्रयोक्ता अभिकरण द्वारा मक डिस्पोजल योजना तैयार कर इस कार्यालय को भिजवायें।
8. शर्त सं0 10 की पालना में प्रयोक्ता अभिकरण भविष्य में योजना पर लागू सभी नियम, कानून तथा दिशानिर्देशों की पालना करेगी। इस आशय का वचनबद्धता प्रमाण पत्र प्रस्तुत करें।
उक्त शर्तों के अलावा वर्तमान में श्रमिक दर बढ़ोतरी के कारण क्षतिपूर्ति वृक्षारोपण एवं पारिषण लाईन के नीचे लगाये जाने वाले बौने/औषधिय पौधों के वृक्षारोपण की दर में अन्तर राशि प्रयोक्ता अभिकरण द्वारा जमा करायी जावेगी। इस हेतु अण्डरटेकिंग प्रस्तुत करें। सैद्धान्तिक स्वीकृति की पालना न करने पर भारत सरकार द्वारा स्वीकृति निरस्त करने के प्रावधान कर रखे है, पालना के अभाव में स्वीकृति निरस्त की जाती है, तो इसके लिए आप स्वयं जिम्मेदार होंगे।

भवदीय,

(राजेन्द्र कुमार हुड्डा)
उप वन संरक्षक
झुन्झुनू
दिनांक:-

क्रमांक :-सम/

प्रतिलिपि निम्नांकित को सूचनार्थ एवं आवश्यक कार्यवाही हेतु प्रेषित है:-

1. अति. प्रधान मुख्य वन संरक्षक, प्रोटेक्शन एवं नोडल अधिकारी, एफसीए, अरण्य भवन, जयपुर को उनके पत्रांक 2278-79 दिनांक 24.08.2020 के संदर्भ में।
2. मुख्य वन संरक्षक, अरावली भवन, जयपुर को उनके पत्रांक 4677 दिनांक 22.10.2020 के संदर्भ में।

(राजेन्द्र कुमार हुड्डा)
उप वन संरक्षक
झुन्झुनू

NRSS XXXVI TRANSMISSION LIMITED

Registered Office: 94, Pocket-4, Sector-11, Dwarka, New Delhi-110075
CIN: U40300DL2015PLC284168 •

TO WHOMSOEVER IT MAY CONCERN

This is to certify that **Mr. Rajnish Mehrotra, Head Environment and Forest**, ("hereinafter referred to as Authorised Person) is hereby authorised to do any of the following acts, deeds, matters and things for and on behalf of NRSS XXXVI Transmission Limited for Element II and Element III of NRSS XXXVI Project.

To appear as authorised representative of the company and making submission before Central Electricity Authority, Ministry of Environment Forest and Climate Change, State Forest Department of Haryana, Rajasthan and Uttarakhand or any statutory/local regulatory body(ies) in relation to Forest and/or Environment Clearance for the said project.

To apply for and submit any application, deeds, documents, records in relation to avail any forest and environment approvals/permission for the construction of said project.

For NRSS XXXVI Transmission Limited



T Muraleedharan
Chief Executive Officer



Date: 17/5/2022



(Specimen Signature)
Rajnish Mehrotra
Head Environment and Forest
Authorised Person



कार्यालय प्रधान मुख्य वन संरक्षक (वन बल प्रमुख) राजस्थान,

अरण्य भवन, झालाना सांस्थानिक क्षेत्र, जयपुर-302004

क्रमांक: एफ. 14(Trans)2017/एफसीए/प्रमुखसं/ 214

दिनांक 31/01/24

विशेषाधिकारी
वन विभाग,
राजस्थान, जयपुर

विषय:- Diversion of 13.015 ha. of forest land in favour of NRSSXXXVI Transmission Limited, for the construction of 400 KV D/C babai (RRPVNL) to Bhiwani (PGCIL) Transmission line in Jhunjhunu forest division, Rajasthan-Submission of Stage I compliance. (Proposal SEZ Part-D" (Proposal no. FP/RJ/TRANS/28622/2017)

संदर्भ:-आपका पत्रांक प. 1(20)वन/2018 दिनांक 14.03.2023

महोदया,

उपर्युक्त विषयान्तर्गत संदर्भित पत्र के क्रम में मुख्य वन संरक्षक, जयपुर के पत्रांक 126 दिनांक 08.01.2024 से प्राप्त सूचना निम्नानुसार है:-

1	Documents providing final project cost. In case of cost overrun the balance amount of 5% of project cost deposition by user agency in RPACS	यूजर एजेन्सी द्वारा बकाया राशि 93516/- जमा कराई गई है। दस्तावेज संलग्न है।
2	CCF Jaipur was advised for ensuring compliance of conditions as per the undertaking given by the user agency regarding installation of Bird Flight Divertor's undertaking dated 12.12.2017 submitted on MoEF CC Portal before the Stage 1 Clearance approval from MoEF & CC dated 14.7.2019	गैर वन क्षेत्र एवं वन क्षेत्र में बर्ड डाइवर्टर लगाए जाने की पुष्टी हो गई है। फोटोग्राफ संलग्न है।

अतः उपर्युक्तानुसार प्राप्त सूचना अग्रिम कार्यवाही हेतु प्रेषित है।

संलग्न:-उपर्युक्तानुसार।

भवदीया,

Shikha
(शिखा मेहरा)

अतिरिक्त प्रधान मुख्य वन संरक्षक,
प्रोटेक्शन एवं नोडल अधिकारी एफसीए,
राजस्थान, जयपुर

क्रमांक: एफ. 14(Trans)2017/एफसीए/प्रमुखसं/

प्रतिलिपि निम्नांकित को संदर्भित पत्रों के क्रम में सूचनार्थ एवं आवश्यक कार्यवाही हेतु प्रेषित है:-

1. मुख्य वन संरक्षक, जयपुर
2. उप वन संरक्षक, झुंझनू
3. NRSS XXXVI TRANS MISSINON LIMITED, A 26/3, Mohan Cooperative Industrial Estate, Near Sarita Vihar, metro Pillar No. 71 New Delhi.

(दिनेश कुमार गुप्ता)
उप वन संरक्षक (एफ.सी.ए.)
अरण्य भवन, जयपुर



पर-घर
ओपन योजना

कार्यालय मुख्य वन संरक्षक, जयपुर, राजस्थान



दिनांक:- 08/01/2024

क्रमांक:- एफ 5() एफ.सी.ए./मुवसंज/2023-24/ ~~125~~ 126

निमित्त:-

अति. प्रधान मुख्य वन संरक्षक
प्रोटेक्शन एवं नोडल अधिकारी, एफसीए
राजस्थान, जयपुर।

विषय:- Diversion of 13.015 ha. of forest land in favour of NRSSXXXVI Transmission Limited, for the construction of 400 kv d/c babai (rrpvn) to Bhiwani (PGCIL) Transmission line in Jhunjhunu forest division, Rajasthan-Submission of Stage I compliance. (Proposal SEZ Part-D") (Proposal no. FP/RJ/TRANS/28622/2017)

संदर्भ:- आपका पत्र क्रमांक एफ 14(Trans)2017/एफसीए/प्रमुवसं/7781 दिनांक 10.10.2023 एवं उप वन संरक्षक, झुंझुनू का पत्र क्रमांक 10866 दिनांक 22.12.2023।

274/c

महोदय,

उपरोक्त विषयान्तर्गत निवेदन है कि आपके संदर्भित पत्र के क्रम में विषयांकित प्रकरण में चाही गयी सूचना उप वन संरक्षक, झुंझुनू ने उनके संदर्भित पत्र से निम्नानुसार प्रेषित की है:-

1. यूजर एजेन्सी द्वारा बकाया राशि 93516/- जमा कराई गई है। यूजर एजेन्सी से प्राप्त दस्तावेज संलग्न है।
2. क्षेत्रीय वन अधिकारी, खेतड़ी से प्राप्त रिपोर्ट अनुसार गैर वन एवं वन भूमि में बर्ड डाइवरटर लगाए जाने की पुष्टि हो गयी है तथा लगाए गए बर्ड डाइवरटर की फोटो प्रति संलग्न है।

संलग्न:- उपरोक्तानुसार।

भवदीय,

(मनफूल सिंह)

मुख्य वन संरक्षक,
जयपुर

Signature valid

RajKaj Ref
5273822



Digitally signed by Manphool Singh
Designation: Chief Conservator Of
Forest
Date: 2024.01.08 14:03:03 IST
Reason: Approved

11/1
18
11-01-24

कार्यालय उप वनसंरक्षक, झुंझुनू

क्रमांक:- एफ()सर्वे./उवसंझु/2023-24/10866

दिनांक:- 22-12-2023

मुख्य वन संरक्षक,
जयपुर।

विषय:- Diversion of 13.015 ha. Of forest land in favour of NRSSXXXVI Transmission Limited. For the construction of 400 KV D/C babai (RRPVNL) to Bhiwani (PGCIL) Transmission line in jhunjhunu forest division. Rajasthan- Submission of Stage -I compliance, (Proposal SEZ Part -D) (Proposal no, FP/RJ/TRANS/28622/2017)

सन्दर्भ:- अतिरिक्त प्रधान मुख्य वन संरक्षक, प्रोटेक्शन एवं नोडल अधिकारी एफसीए, राजस्थान जयपुर का पत्रांक 7782 दिनांक 10.10.2023 एवं मुख्य वन संरक्षक, राजस्थान जयपुर का पत्रांक 5540, दिनांक 08.11.2023 के क्रम में।

उपरोक्त विषयान्तर्गत संदर्भित पत्र के क्रम में निवेदन है कि विषयांकित प्रकरण में चाही गयी सूचना निम्नानुसार है:-

1. युजर एजेंसी द्वारा बकाया राशि 93516/- जमा कराई गई है। युजर एजेंसी से प्राप्त दस्तावेज संलग्न
2. क्षेत्रीय वन अधिकारी, खेतड़ी से प्राप्त रिपोर्ट अनुसार गैर वन एवं वन भूमि में बर्ड डाइवरटर लगाए जाने की पुष्टी हो गयी है तथा लगाए गए बर्ड डाइवरटर की फोटो प्रति संलग्न है।

संलग्न :- उपरोक्तानुसार

Fr A
Ba
11/11/23
x
DCF (A)
xv

भवदीय

(बनवासी लाल नेहरा)
उप वन संरक्षक,
झुंझुनू

कार्यालय क्षेत्रीय वन अधिकारी खेतड़ी

दिनांक:- 29/08/2023

क्रमांक:- 648

श्रीमान् उप वन संरक्षक

झुंझुनू

विषय:- Diversion of 13.015 Ha. Of forest land in favour of NRSSXXXVI Transmission limited for the construction of 400kv D/C Babai (RRPVNL.) to Bhiwani (PGCIL) transmission line in the Jhunjhunu forest division. Rjasthan submission of stage-I compliance (proposal SEZ part-D) (proposal no. FP/RJ/TRANS/28622/2017)

संदर्भ:- आपका पत्रांक 8396 दिनांक 24.08.2023

महोदय,

उपरोक्त विषयांतर्गत निवेदन है कि विषयांकित प्रकरण का मौका निरीक्षण किया गया। मौके पर बर्ड फ्लाईट डाईवर्टर लगे हुये पाये गये है। क्षेत्र की फोटोग्राफी संलग्न कर आवश्यक कार्यवाही हेतु प्रस्तुत है।

संलग्न:- उपरोक्तानुसार।

भवदीय



(विजय कुमार)

क्षेत्रीय वन अधिकारी

खेतड़ी

o/c

कार्यालय क्षेत्रीय वन अधिकारी खेतड़ी

क्रमांक:- 887

दिनांक:- 08.12.2023

श्रीमान् उप वन संरक्षक
झुंझुनु

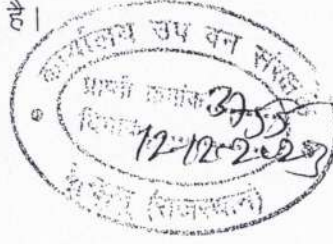
विषय:- Diversion of 13.015 Ha. Of forest land in favour of NRSSXXXVI Transmission limited for the construction of 400kv D/C Babai (RRPVNL.) to Bhiwani (PGCIL) transmission line in the Jhunjhunu forest division. Rjasthan submission of stage-I compliance (proposal SEZ part-D) (proposal no. FP/RJ/TRANS/28622/2017)

संदर्भ:- आपका पत्रांक 9684 दिनांक 25.10.2023

महोदय,

उपरोक्त विषयांतर्गत निवेदन है कि विषयांकित प्रकरण का मौका निरिक्षण किया गया। मौके पर गैर वन भूमि में बर्ड फ्लाईट डाईवर्टर लगे हुये पाये गये है। क्षेत्र की फोटोग्राफी संलग्न कर आवश्यक कार्यवाही हेतु प्रस्तुत है।

संलग्न:- उपरोक्तानुसार।



Sumang
12/12/23

भवदीय
(विजय कुमार)
क्षेत्रीय वन अधिकारी,
खेतड़ी

NRSS XXXVI TRANSMISSION LIMITED

Registered Office: Flat No. 94, 3rd Floor, Pocket-4, LIG Flats, Sector-11, Dwarka, New Delhi-110075

Corporate Office: Shatabdi Bhawan, B 12 & 13, Sector 4, Noida, Uttar Pradesh - 201301

CIN: U40300DL2015PLC284168 • Tel.: +91-8860764693 / +022- 6717-2869 • Email ID: sect.nrss@gmail.com

NRSS/2023-24/DFO/Jhunjhunu/ 37

Dated: 30.10.2023

To

The Divisional Forest Officer,
Jhunjhunu, Rajasthan.



Subject; Recommendation for Stage 2 forest clearance for 400 kV Babai Bhiwani D/C Transmission Line in Rajasthan section.

References:

1. Your office letter no. F () FCA/ उवसंझु/2023-24/4133 dated 24.05.2023
2. Our office letter no. NRSS/2023-24/ DFO Jhunjhunu/13 dated 08.06.2023
3. Our office letter no. NRSS/2023-24/ DFO/25 dated 10.08.2023

Dear Sir,

With reference to your good office letter no. F () FCA/ उवसंझु/2023-24/4133 dated 24.05.2023 (enclosed as Annexure 1), NRSS XXXVI Transmission Limited was asked to deposit an amount of Rs. 93516 on account of revision of project cost. NRSS XXXVI Transmission limited deposited the amount of Rs. 93516 on 29.05.2023 in favor of Rajasthan Protected Area Conservation Society. The information for having made the payment along with the bank payment advise was communicated to your good office vide our office letter no. NRSS/2023-24/ DFO Jhunjhunu/13 dated 08.06.2023 (enclosed as Annexure 2).

Further to our letter no NRSS/2023-24/ DFO/25 dated 10.08.2023 (enclosed as Annexure 3), we wish to inform you that, we have installed the Bird Flight Diverters on Forest as well as well as Revenue land (Non Forest land) (enclosed as Annexure 4) on the transmission line.

We have installed M/s Indolite make bird flight diverters (Model nos. WMSv2 & NFv3) on the Babai-Bhiwani transmission line. The Indolite make bird flight diverters with model no. WMSv2 (approved GTP enclosed as Annexure 5) & NFv3 (approved GTP enclosed as Annexure 5) have been approved by the Central Electricity Authority (CEA), Ministry of Power, Government of India as they were in accordance to the requirement of the Technical Specification of Bird Flight Diverters issued by Supreme Court appointed committee in consultation with CEA (CEA approval enclosed as Annexure 6).

We request you to kindly recommend our case for the final approval of Stage 2 clearance, as all the conditions of Stage 1 clearance have been successfully complied by NRSS XXXVI Transmission Limited.

Thanking you,

For NRSS XXXVI Transmission Limited

NRSS XXXVI TRANSMISSION LIMITED

Registered Office: Flat No. 94, 3rd Floor, Pocket-4, LIG Flats, Sector-11, Dwarka, New Delhi-110075

Corporate Office: Shatabdi Bhawan, B 12 & 13, Sector 4, Noida, Uttar Pradesh - 201301

CIN: U40300DL2015PLC284168 • Tel.: +91-8860764693 / +022- 6717-2869 • Email ID: sect.nrss@gmail.com

Enclosures:

1. Annexure 1 - Your office letter no. F () FCA/ उवसंझु/2023-24/4133 dated 24.05.2023.
2. Annexure 2 - Our office letter no. NRSS/2023-24/ DFO Jhunjhunu/13 dated 08.06.2023
3. Annexure 3 - Our office letter no. NRSS/2023-24/ DFO/25 dated 10.08.2023
4. Annexure 4 - Pictures of Bird Flight Diverter Installation in Non-Forest Area
5. Annexure 5 - CEA approved Drawings & Guaranteed Technical Particulars (GTP) for WMSv2 model & NFv3 model.
6. Annexure 6 - CEA Approval for Indolite Make Bird Flight Diverter

ANNEXURE - 1

स्मरण पत्र

कार्यालय उप वन संरक्षक, झुंझुनू

दिनांक:- 24/5/23

कमांक :- एफ()एफसीए/उवसझु/2023-24/4133
NRSSXXXVI Transmission limited,
A 26/3, Mohan cooperative industrial
Estate, Sarita Vihar, New Delhi.

विषय:- Diversion of 13.0151 Ha of Forest land in favor of NRSSXXXVI Transmission limited. for the construction of 400KV D/C Babai (RRPVNL) to Bhiwani (PGCIL) Transmission line in Jhunjhunu forest division, Rajasthan-Submission of Stage -I complice (Proposal St./Z Part-D) (Proposal no FP/RJ/TRANS/28622/2017)

संदर्भ:- अतिरिक्त प्रधान मुख्य वन संरक्षक एवं नोडल अधिकारी एफसीए का पत्रांक एफ 14 (Trans)2017/एफसीए/प्रमुवसं/5501 दिनांक 04.04.2023, मुख्य वन संरक्षक का पत्रांक 2414 दिनांक 27.04.2023, इस कार्यालय के पूर्व पत्रांक 3384 दिनांक 18.05.2023 एवं आपका पत्रांक 05 दिनांक 16.05.2023 के क्रम में।

महोदय,

उपरोक्त विषयान्तर्गत लेख है कि आपके पत्रांक 05 दिनांक 16.05.2023 द्वारा प्रोजेक्ट राशि 11644 लाख बताया गया है। उक्त प्रकरण में बांसियाल-खेतडी कंजर्वेशन रिजर्व का 7.452 हैक्टर क्षेत्रफल आ रहा है। पूर्व में प्रोजेक्ट राशि 11000 लाख होने पर कंजर्वेशन रिजर्व क्षेत्र में अनुपातिक राशि का 5 प्रतिशत 1597316 RPACS में आप द्वारा जमा करा दिया गया है वर्तमान में यूजर एजेन्सी से पत्रांक 05 दिनांक 16.05.2023 से संशोधित प्रोजेक्ट राशि 116444 लाख प्राप्त होने पर कंजर्वेशन रिजर्व क्षेत्र में अनुपातिक राशि का 5 प्रतिशत 1690832/- बनता है अतः अन्तर राशि रूपये 93516 Rajasthan Protected Area Conservation Society A/c Number 61087162999 IFSC Code SBI0031510 State bank of India Tilak Marg Jaipur में जमा कराकर जमा रसीद इस कार्यालय में प्रस्तुत करें। इसके अलावा इस कार्यालय के पत्रांक 3884 दिनांक 18.05.2023 (प्रति संलग्न) की पालना रिपोर्ट भी साथ में भिजवाए ताकि प्रकरण में अग्रिम कार्यवाही की जा सके।

भवदीय,

(राजेन्द्र कुमार हुड्डा)
उप वन संरक्षक
झुंझुनू

कार्यालय उप वन संरक्षक, झुंझुनू

दिनांक - 18.04.23

क्रमांक - एक()एफसीए/उत्तराञ्चल/2023 24/5501
NRSSXXXVI Transmission limited,
Village, Mehari cooperative industrial
Estate, Sarita Vihar, New Delhi.

विषय - Diversion of 13.0151Ha of Forest land in favor of NRSSXXXVI Transmission limited for
construction of 400kV D/C Babai (RRPVNL) to Bhiwani (PGCIL) Transmission line
Jhunjhunu forest division, Rajasthan-Submission of Stage - I compliance (Proposal no
(Proposal no EP/RJ/TRANS/28622/2017)

संदर्भ - अतिरिक्त प्रधान मुख्य वन संरक्षक एवं नोडल अधिकारी एफसीए के पत्रांक
(Trans)2017/एफसीए/प्रमुखसं/5501 दिनांक 04.04.2023, मुख्य वन संरक्षक के पत्रांक
दिनांक 27.04.2023 के क्रम में।

महोदय,

उपरोक्त विषयान्तर्गत लेख है कि वन विभाग राजस्थान सरकार के पत्रांक
वन/2018 दिनांक 14.03.2023 से प्रकरण में दो विन्दुओं पर अतिरिक्त सूचनाएं चाही गई हैं। नया
पत्र के विन्दु 2 की पालना में Bird Diverters के installation में Quality norms वाचन मान
न्यायालय के निर्णय दिनांक 30.11.2022 इन रिट पिटिशन (सिविल) नं 838/2019 के पत्रांक
सरकार, नवीन और नवीकरणीय ऊर्जा मंत्रालय, ग्रिड सौर ऊर्जा प्रभाग नई दिल्ली के पत्रांक
283/26/2021-GRIS SOLAR (V) दिनांक 06.01.2023 (प्रति संलग्न) को मद्येनजर रखा जाव

अतः राज्य सरकार के उपर्युक्त पत्र दिनांक 14.03.2023 एवं 06.01.2023 के
संलग्न कर प्रेषित है कि विन्दुवार सूचनाएँ शीघ्र भिजवाना सुनिश्चित करें।
संलग्न - उपरोक्तानुसार

भवदीय

(राजेश्वर कुमार)
उप वन संरक्षक
झुंझुनू



राजस्थान सरकार
वन विभाग

15/06/2022

क्रमांक: प. 1(20) वन/2018

जयपुर, दिनांक:-

अतिरिक्त प्रधान मुख्य वन संरक्षक
प्रोटेक्शन एवं नोडल अधिकारी एफसीए
राजस्थान, जयपुर।

विषय:- Diversion of 13.015 ha of forest land in favour of
NRSSXXXVI, Transmission Limited, New Delhi for
construction of 400 KV D/C Babai (RRVNL)- Bhiwani
(PGCIL) Transmission Line in JKhunjhunu district-
Rajasthan।

संदर्भ:-आपका पत्रांक 14/02/17/एफसीए/प्रमुवस/2188 दिनांक
28.06.2022

महोदय,

उपरोक्त विषयान्तर्गत संदर्भित प्रस्ताव के क्रम में प्रधान मुख्य वन
संरक्षक एवं मुख्य वन्यजीव प्रतिपालक, राजस्थान, जयपुर के पत्रांक 1812 दिनांक 26.
08.2022 में वर्णित निम्नवत टिप्पणी पर सूचना तत्काल भिजवाने का श्रम करावे:-

- (1) Documents providing final project cost. In case of cost overrun, the balance amount of 5 % of project cost deposition by user agency in RPACS
- (2) CCF Jaipur was advised for ensuring compliance of conditions as per the undertaking given by the user agency regarding installation of Bird Flight Divertor's undertaking dated 12.12.2017 submitted on MoEF CC Portal before the Stage 1 Clearance approval from MoEF & CC dated 14.7.2019

भवदीय,

(मोनाली सेन)
विशेषाधिकारी, वन

Signature Not Verified

Date: 15/06/2022, M. Sen
Designation: Deputy Conservator
of Forests, Jaipur
RajKaj Ref No. 15/06/2022
Reason: Approved



Kotak Mahindra Bank

Date: 08 June 2023

To whomsoever it may concern

Sub: Payment confirmation

This is to confirm that, NRSS XXXVI TRANSMISSION LIMITED has made payment of Rs. 93,516/- (Rupees Ninety Three Thousand Five Hundred Sixteen Only) from current A/c no. 3146673671 to following beneficiary on 29-May-2023.

UTR No.- KKBK231498843342

Name of Beneficiary: RAJASTHAN PROTECTED AREA CONSERVATION SOCIETY

ACCOUNT NO: 61087162999

Bank Name: STATE BANK OF INDIA

IFSC Code: SBIN0031510

For Kotak Mahindra Bank



Kotak Mahindra Bank Ltd.
CIN: L85110MH1985PLC03B137

270KC, 3rd Floor, Plot No. C-27
G-Block, Bandra Kurla Complex
(BKC), Bandra (E), Mumbai - 400051
Maharashtra

T +91 22 61661350
www.kotak.com

Registered Office:
27 BKC, C 27, G Block,
Bandra Kurla Complex,
Bandra (E), Mumbai 400051,
Maharashtra, India

NRSS XXXVI TRANSMISSION LIMITED

Registered Office: 94, Pocket-4, Sector-11, Dwarka, New Delhi - 110075
Corporate Office: Shatabdi Bhawan, B 12 & 13, Sector 4, Noida, Uttar Pradesh - 201301
CIN: U40300DL2015PLC284168 • Tel.: +91-7042053497 / +022-6717-2869 • Email ID: sect11@gmail.com

NRSS/2023-24/DFO/25

Dated: 10.08.2023

To,

The Divisional Forest officer,
Jhunjhunu, Rajasthan.

Subject: Diversion of 13.015 Ha of Forest Land in favor of NRSS XXXVI Transmission Limited, for the construction of 400KV D/C Babai (RRPVNL) to Bhiwani (PGCIL) Transmission line in Jhunjhunu forest division, Rajasthan-Submission of Stage-I. complie (proposal SEZ part-D) (Proposal no. FP/RJ/TRANS/28622/2017)

Reference:

1. Our office letter no. NRSS/2023-24/DFO/10 dated 07.06.2023
2. Your good office letter no. F () FCA/ उक्संड्यु/ 2023-24/ 3884 dated 18.05.2023
3. Letter no. F 14 (Trans) 2017 / FCA / प्रमुवस/ 5501 dated 04.04.2023 from the office of Additional Principal Chief Conservator of Forest, Jaipur, Rajasthan

Dear Sir,

This has reference to letter no. F 14 (Trans) 2017 / FCA / प्रमुवस/ 5501 dated 18.05.2023. from your good office mentioned above. We had submitted an undertaking for installation of the bird flight diverters on 400KV Babai- Bhiwani Transmission line in Khetri-Baniyal Forest area vide our letter no. NRSS/2023-24/DFO/10 dated 07.06.2023

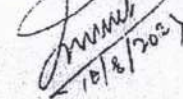
In this context, we would like to inform you that we have completed the installation of the bird flight diverters between location no. AP-3/4 to AP-3/7 and between locations AP-12/0 to AP-16/0 in the Khetri-Baniyal Forest area of Rajasthan (pictures enclosed as Annexure). These bird diverters installed comply to the norms specified by Government of India, Ministry of New & Renewable Energy vide letter no. F. No.283/ 26/ 2021-GRID-SOLAR (v)

In view of the above, we request you to kindly issue the Stage 2 forest clearance for 400 kV Babai Bhiwnai D/C Transmission Line in Rajasthan.

Thanking you,


Yours' Faithfully,

For NRSS XXXVI Transmission Limited


18/8/2023

T Muraleedharan
CEO

Received
11/8/23


सं सं सं
मु मु मु

Regd. Office: 94, Pocket-4, Sector-11, Dwarka, New Delhi-110075

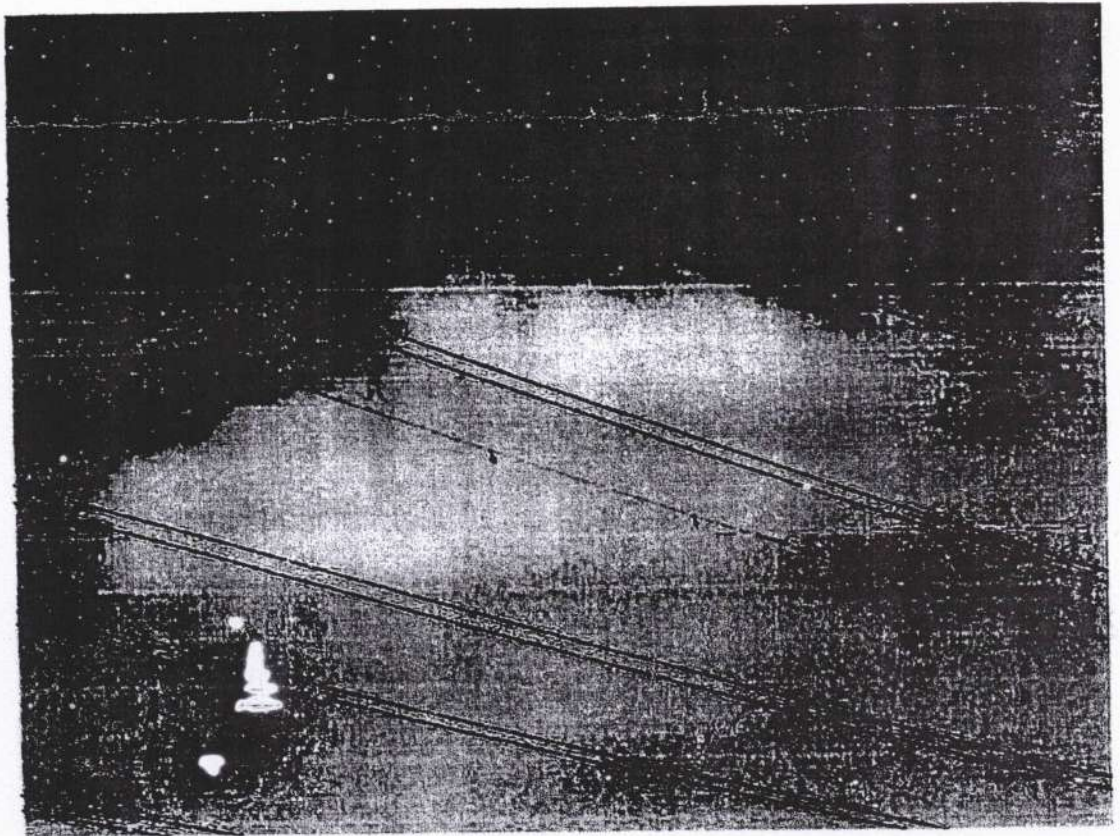
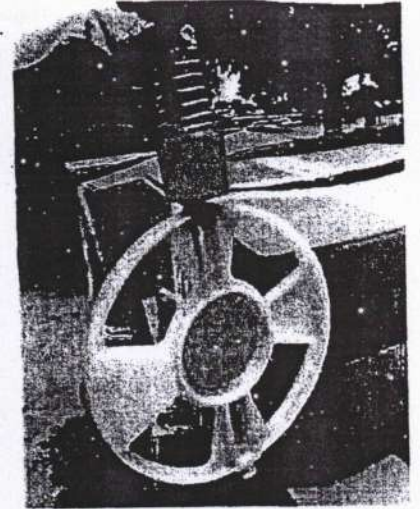
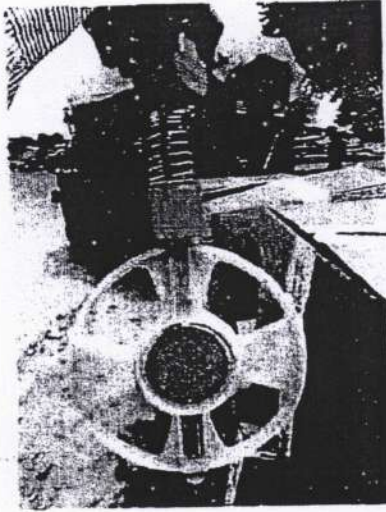
NRSS XXXVI TRANSMISSION LIMITED

Registered Office: 94, Pocket-4, Sector-11, Dwarka, New Delhi - 110075

Corporate Office: Shatabdi Bhawan, B 12 & 13, Sector-4, Noida, Uttar Pradesh - 201301

CIN: U40300DL2015PLC284168 • Tel.: +91-7042053497 / +022- 6717-2869 • Email ID: [nrrss@gmail.com](mailto:nrss@nrrssl.com)

Annexure 1



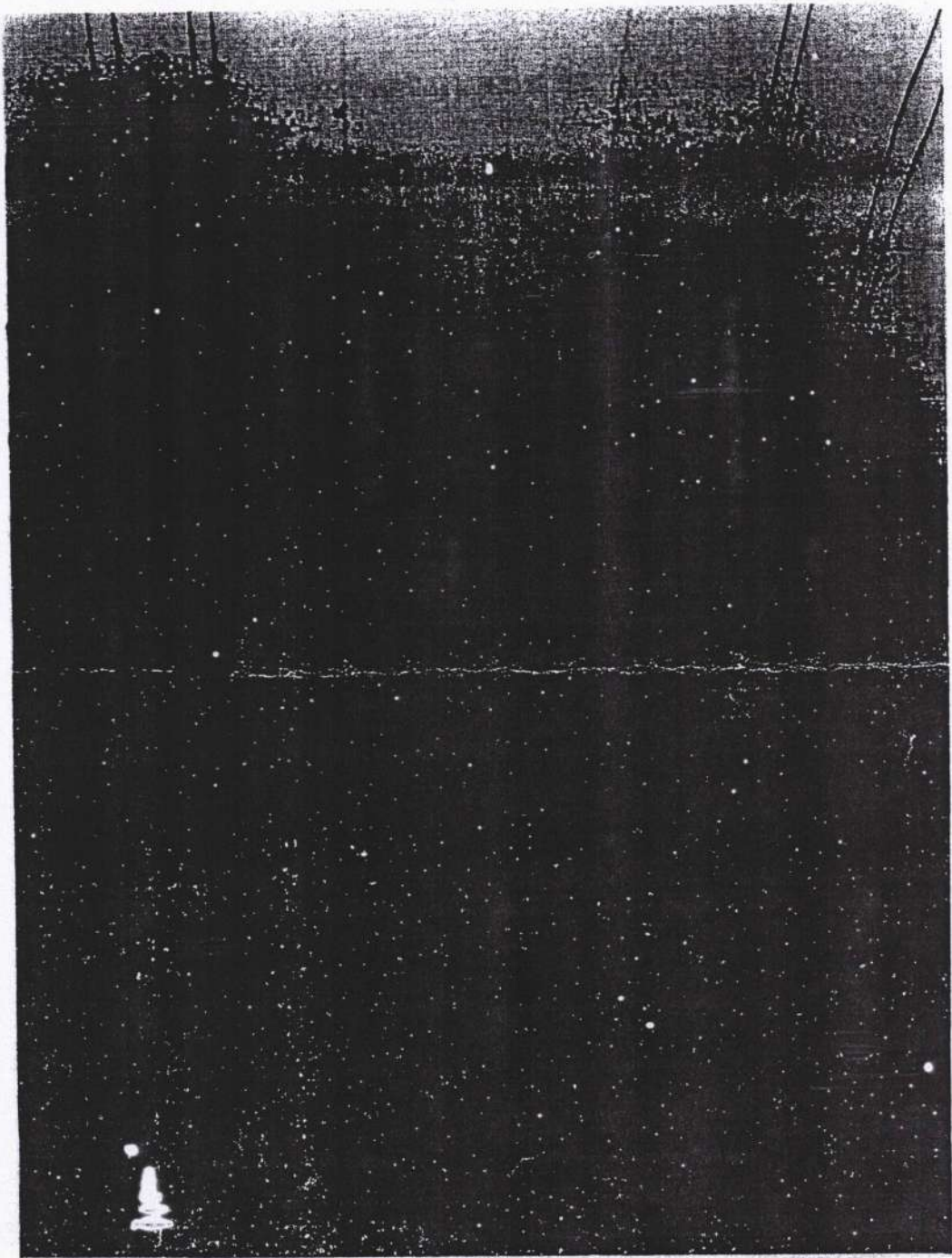
Regd. Office: 94, Pocket-4, Sector-11, Dwarka, New Delhi-110075

NRSS XXXVI TRANSMISSION LIMITED

Registered Office: 94, Pocket-4, Sector-11, Dwarka, New Delhi - 110075

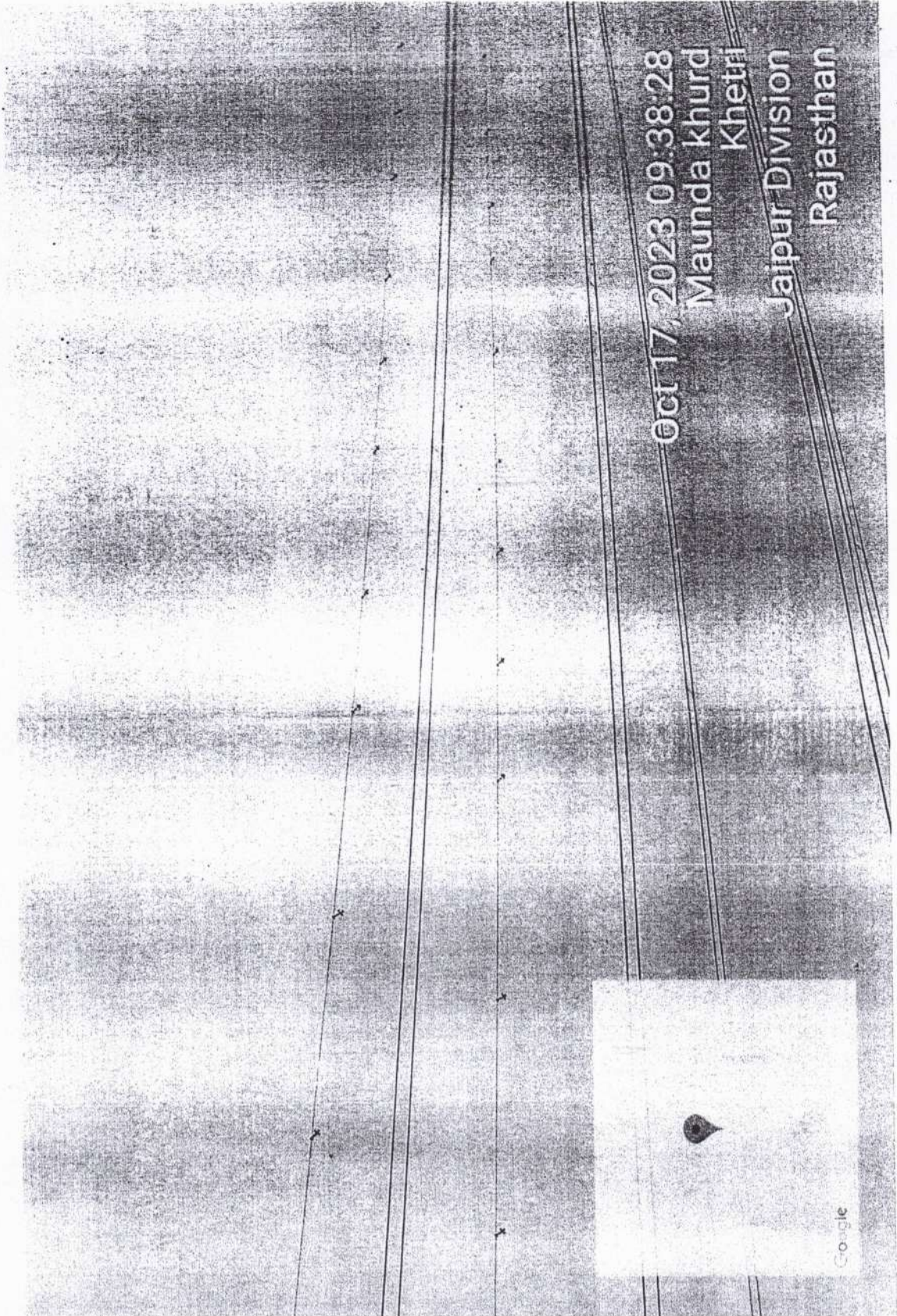
Corporate Office: Shatabdi Bhawan, B 12 & 13; Sector 4, Noida, Uttar Pradesh - 201301

CIN: U40300DL2015PLC234168 • Tel: +91-7042053497 / +022- 6717-2869 • Email ID: sect.nrss@gmail.com



Regd. Office: 94, Pocket-4, Sector-11, Dwarka, New Delhi-110075

ANNEXURE-4



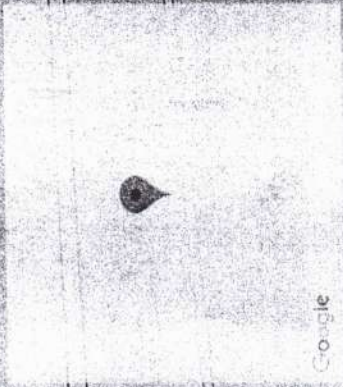
OCT 17, 2023 09:38:28

Maunda khurd

Khethri

Jaipur Division

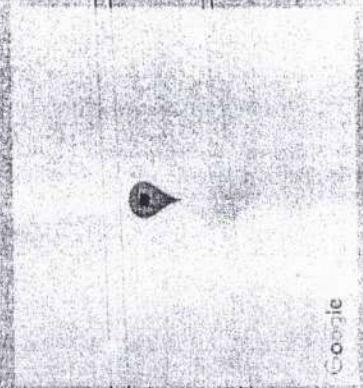
Rajasthan

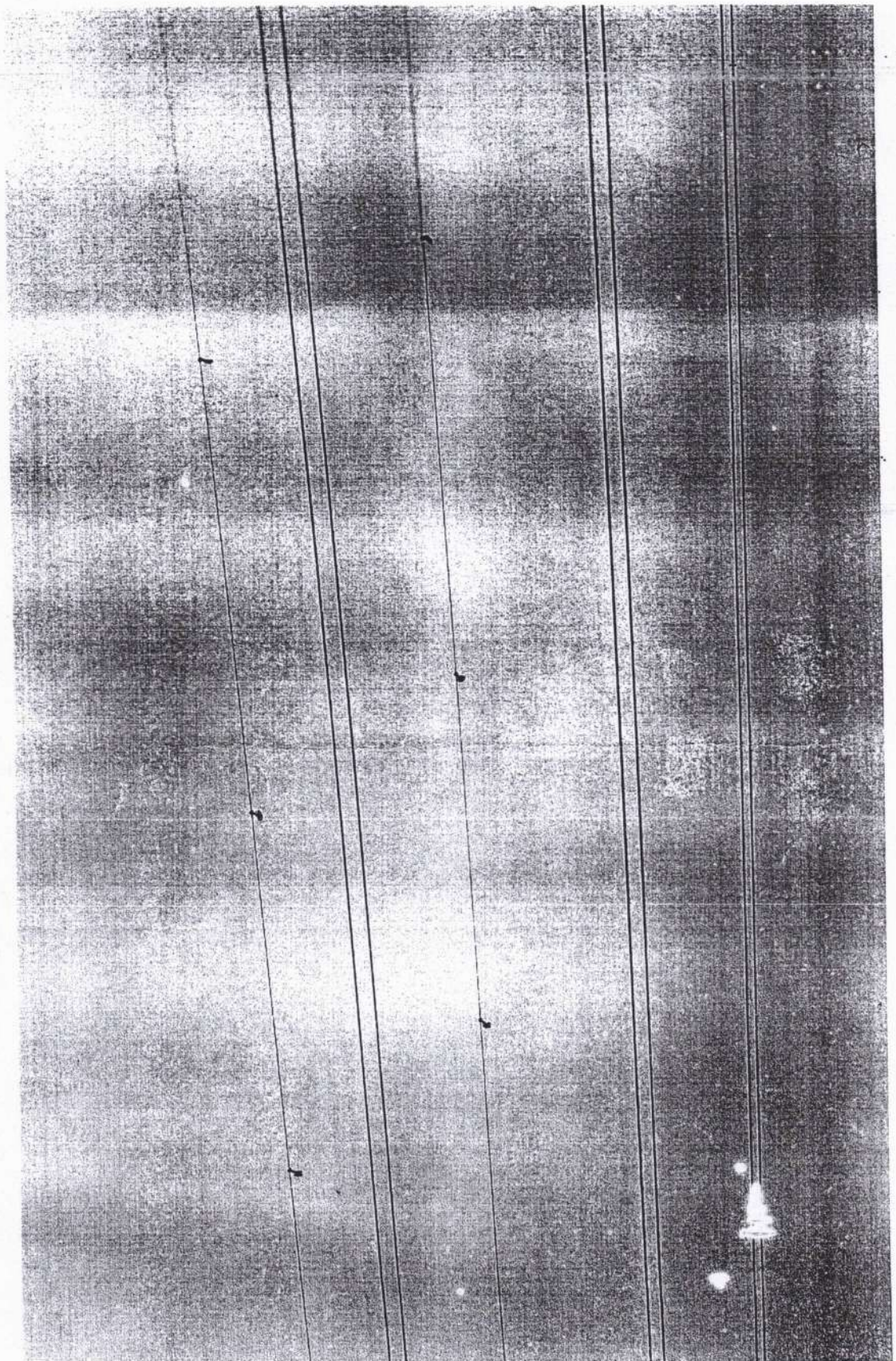


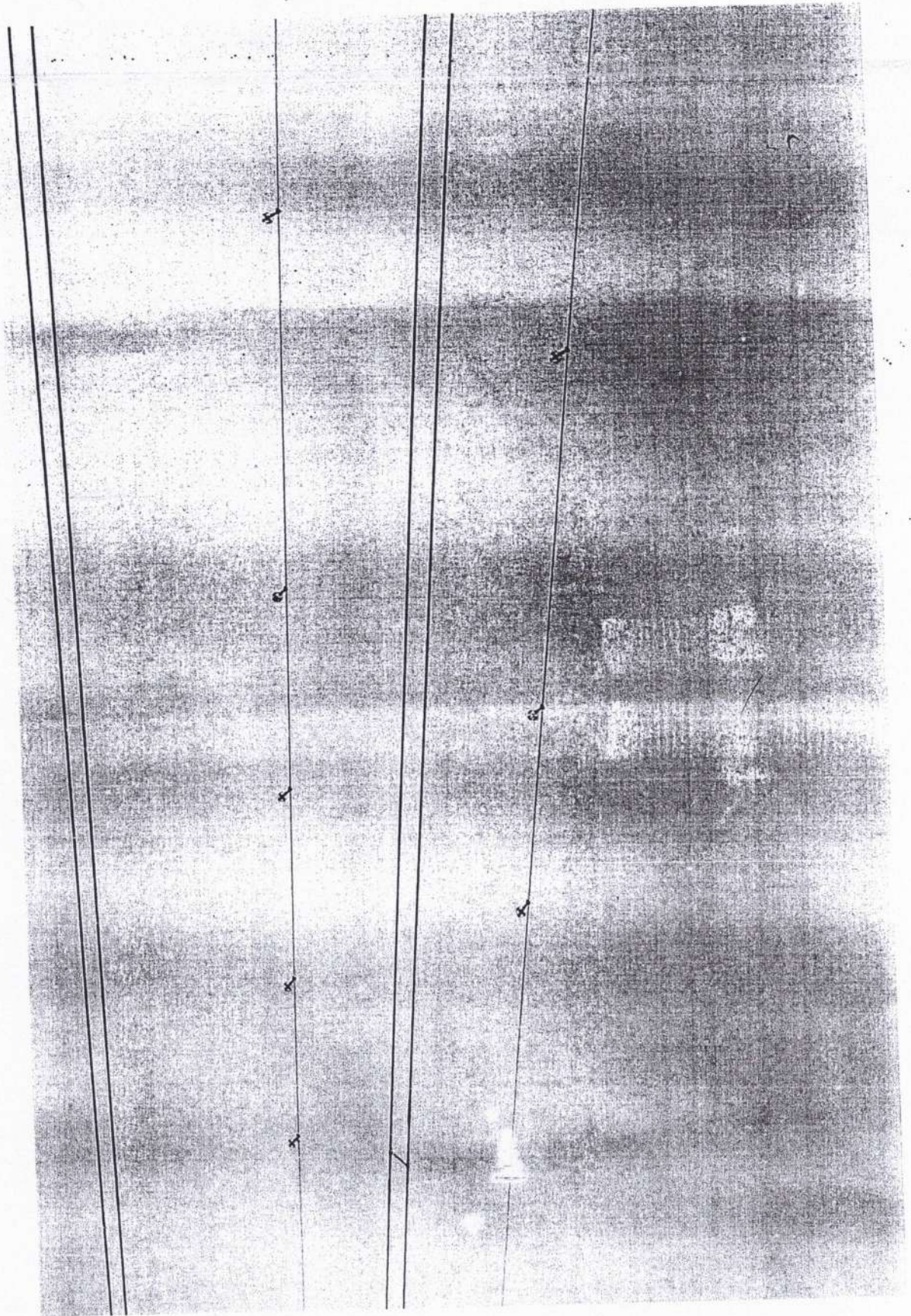
Oct 17, 2023 09:38:35

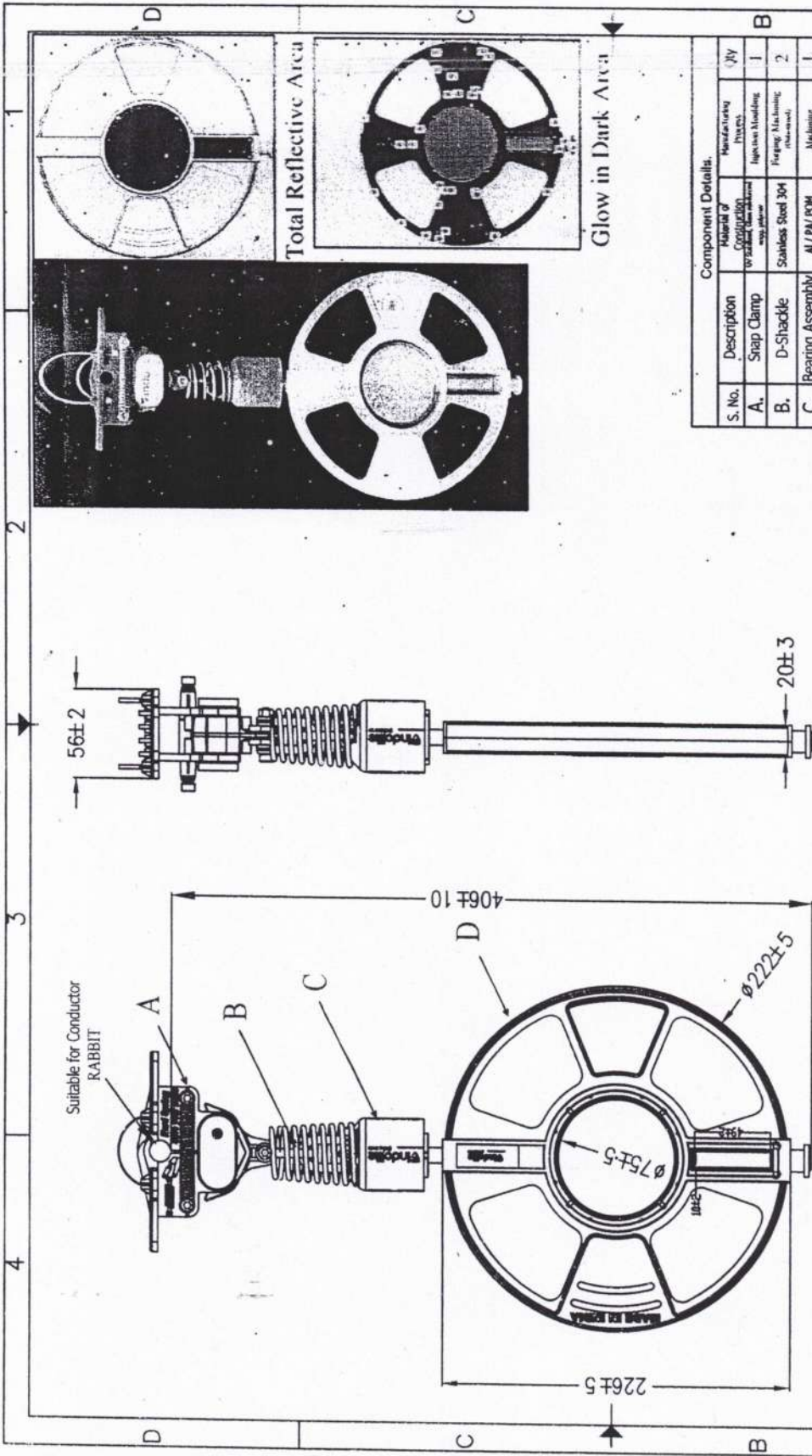
Maunda Khurd
Khetri

Jaipur Division
Rajasthan









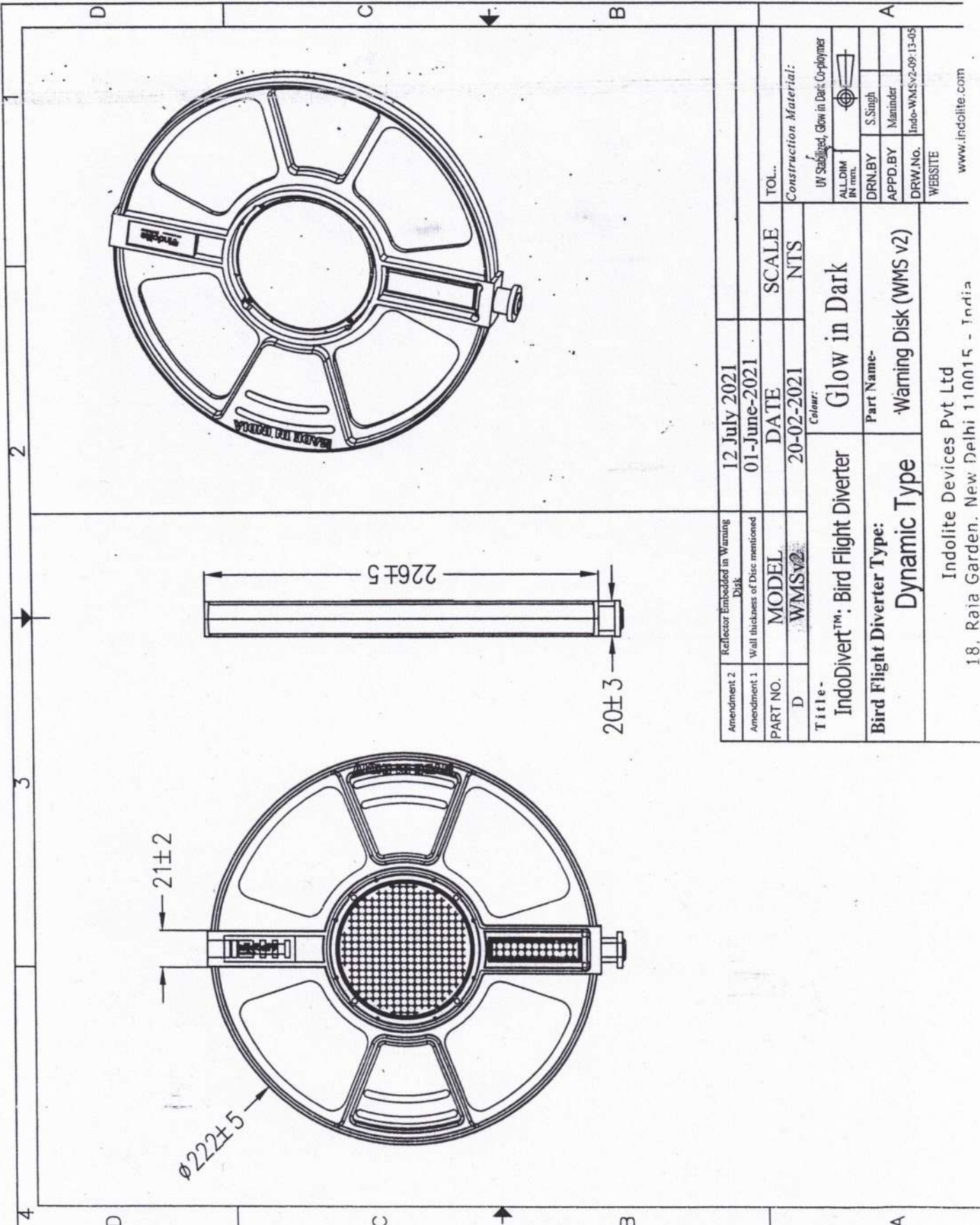
Warning Disk:

1. Can swing, sway and rotate
 2. Reflector Color: Red and Orange/Yellow
 3. Reflective Area per face: + 5000 sq. mm
 4. Glow in Dark Area per face: +22000 sq. mm
 5. Ultraviolet light protected
- Clamp:**
1. Type: Spring type - Snap clamp
 2. Grip tested for:
 - a) Suspended load = + 100kg
 - b) Pull Load (in direction of EW/OPGW/Conductor) = +25kg
 3. Hardware: Stainless Steel/ Aluminium
 4. Bearing : Corrosion free, Self lubricating, SS440 Bearing
 5. Temperature tolerance of clamp parts touching conductor: -15°C - +190°C

Component Details.

S. No.	Description	Material of Construction	Manufacturing Process	Qty
A.	Snap Clamp	W30200 (Material not specified)	Injection Moulding	1
B.	D-Shackle	Stainless Steel 304	Forging / Machining (Material not specified)	2
C.	Bearing Assembly	AI / PM POM	Machining	1
D.	Warning Disk	W30200 (Material not specified)	Injection Moulding	1

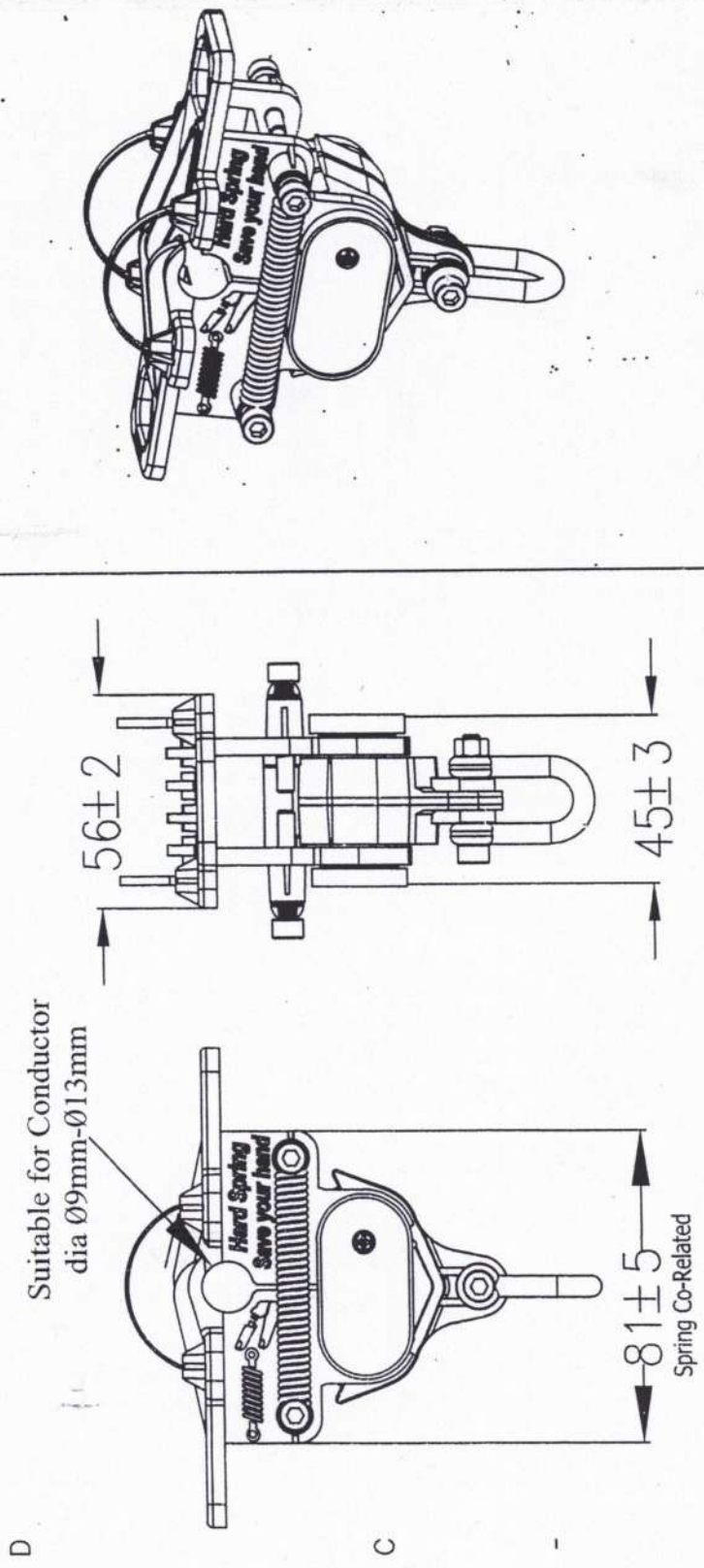
Amendment 3	Reflector Embedded in Warning Disk	12 July 2021
Amendment 2	Suspension Spring Added	10 Jan 2021
Amendment 1	Model	DATE
PART NO.	WMSV2	15 Nov 2020.
Title	IndoDiver™: Bird Flight Diverter	Weight: 570 ± 50 grams
Bird Flight Diverter Type:	Dynamic Type	Clamp Type: Snap Clamp
		Clamp Suitable for : Conductor Size $\phi 9\text{mm}-\phi 13\text{mm}$.
		Scale: N T S
		Patent Protected
Due to frequent development and design optimization of our products, we reserve the right to modify the specifications and design without notice.		
	ALL DIM IN mm.	DRN.BY S.S.
		APPD.BY Maninder
		DRW.NO. Indio-WMSV2-09 11-11
		WEBSITE: www.indolite.com



Amendment 2	Reflector Embodied in Warning Disk	12 July 2021	TOL...
Amendment 1	Wall thickness of Disc mentioned	01-June-2021	SCALE
PART NO.	MODEL	DATE	NTS
D	WMSV2	20-02-2021	Construction Material:
Title-		UV Stabilized, Glow in Dark Co-polymer	
IndoDivert™: Bird Flight Diverter		ALL DIM IN mm.	
Bird Flight Diverter Type:		DRN.BY S.Singh	
Dynamic Type		APPD.BY Maninder	
		DRW.No. Indo-WMSV2-09-13-05	
		WEBSITE	
		www.indolite.com	

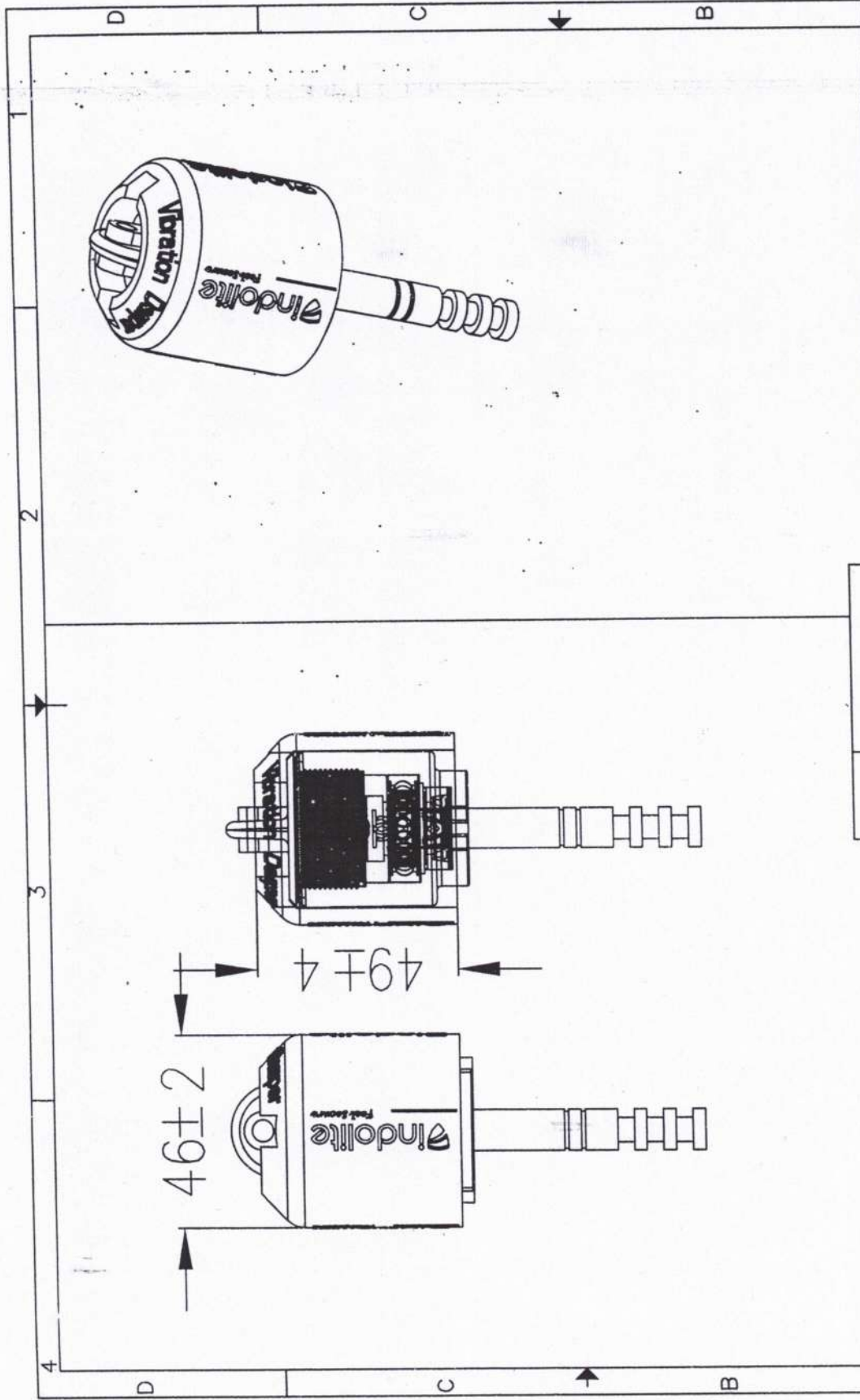
Indolite Devices Pvt Ltd
 18, Raia Garden, New Delhi 110015 - India

4 3 2



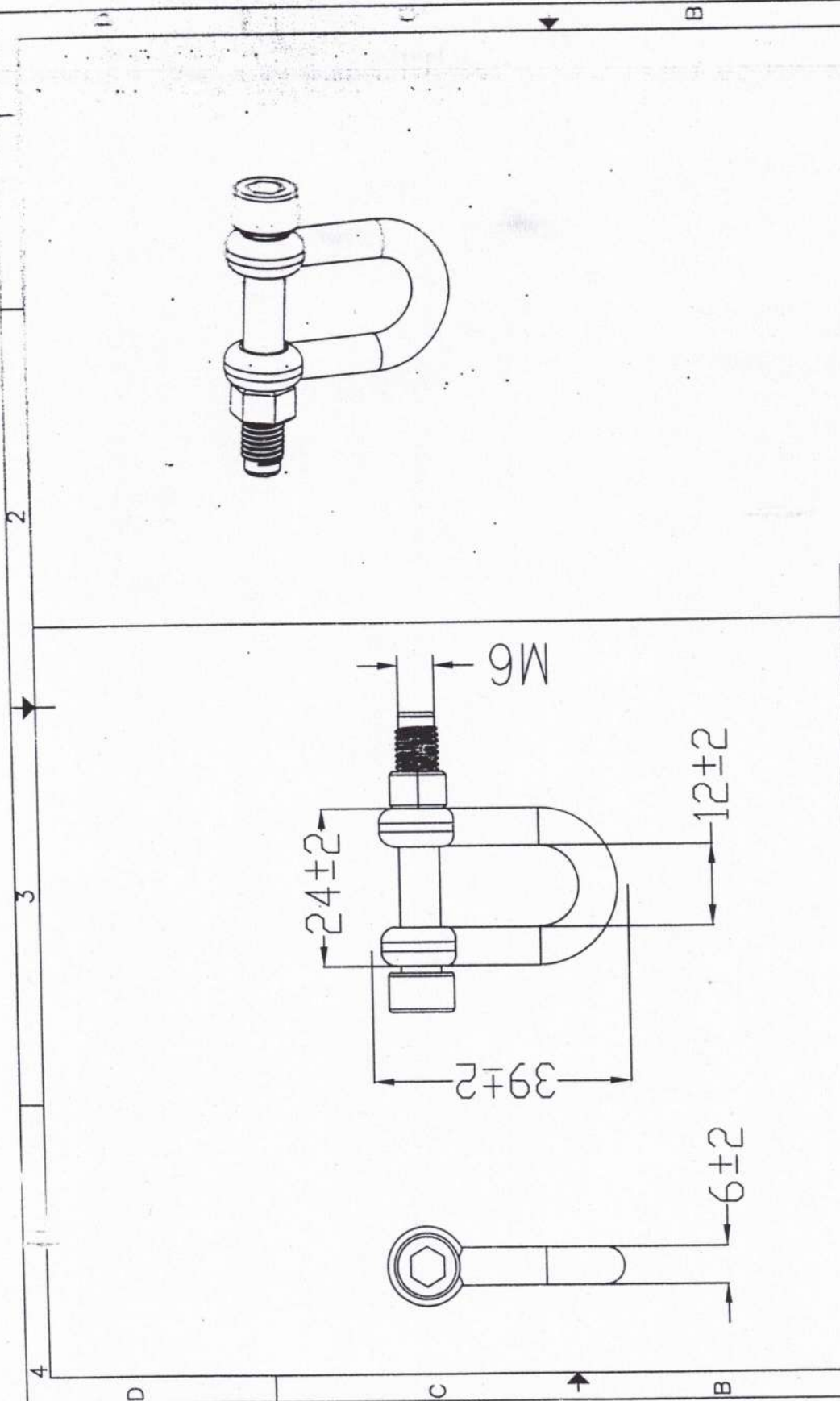
Amendment	Design Optimized for Single Spring	08 Aug 2021	SCALE	TOL...
PART NO.	MODEL	DATE	NTS	Construction Material:
A	WMSV2	20-02-2021		UV Stabilized, Glass reinforced epoxy, polymer
Title -				
IndoDiverter™: Bird Flight Diverter				
Colour:				
Red/ Black/ Glow in Dark				
Bird Flight Diverter Type:				
Dynamic Type				
Part Name-				
Snap Clamp				
WEBSITE:				
www.indolite.com				
www.BirdFlightDiverter.com				

Indolite Devices Pvt Ltd
18, Raja Garden, New Delhi 110015 - India



Amendment	MODEL	DATE	TOL.
PART NO. C	WMSv2	20-02-2021	Construction Material: Al / PA / POM
Title: IndoDivert™: Bird Flight Diverter		Scale: NTS	Bearing Material: SS440
Bird Flight Diverter Type: Dynamic Type		Colour:	ALL DIM IN mm.
Part Name: Bearing Assembly		DRN.BY	S.S.
		APPD.BY	Maninder
		DRW.No.	Indo-WMS-2-APP-13-04
		WEBSITE	www.indolite.com
			www.BirdFlightDiverter.com

Indolite Devices Pvt Ltd
 New Delhi 110015 - India



Amendment	Model	DATE	Scale	TOL.
PART NO. B	WMSV2	20-02-2021	NTS	Construction Material: SS304
Title - IndoDivert™: Bird Flight Diverter		Colour:		ALL DIM IN mm.
Bird Flight Diverter Type: Dynamic Type		Part Name: D-shackle		DRN.BY S.S.
				APPD.BY Maininder
				DRW.NO. Indo-WMSV2-09-13-02
				WEBSITE: www.indolite.com
				www.BirdFlightDiverter.com

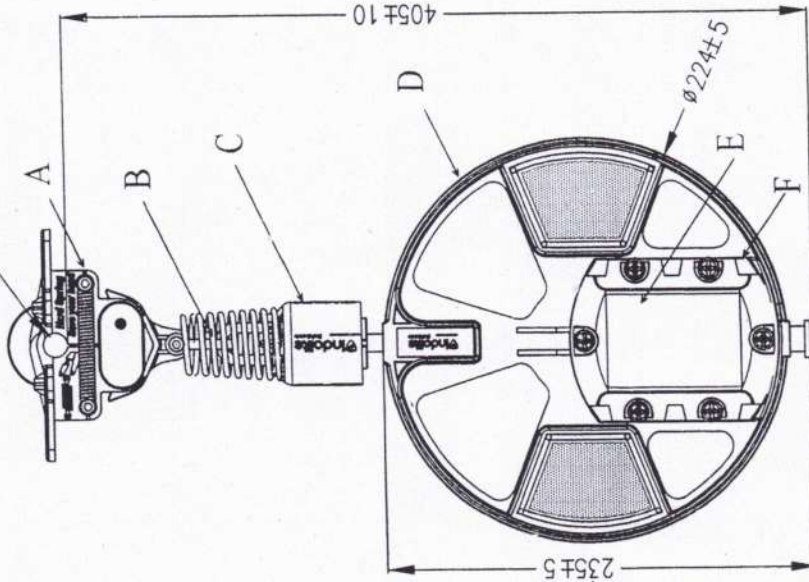
Indolite Devices Pvt Ltd
 18, Raja Garden, New Delhi 110015 - India

General Technical Particulars for NON-LED Type Bird Flight Diverter

Sr. No.	Technical Particular	Unit	Details to be provided by Bidder
1	Name of OEM of bird flight diverter		Indolite Devices Private Limited
2	Proposed works for supply		NON-LED Type Bird Flight Diverter
3	Total height of bird diverter assembly from clamp center to end of the assembly (Total length)	mm.	As per Height of Bird Flight Diverter depend upon dia of Conductor & respective clamp for all conductors up to Moose size Total length of our Bird Flight Diverter below conductor connection point is less than 430mm;
4	Total weight of bird diverter assembly	Grams	Weight of our Bird Flight Diverter is less than 800gm
5	Shape & size of warning disc		Warning disk dia in case of round warning disk is 222± 5mm
6	Minimum reflective area on each face of warning disc	Sq. mm.	+5000 mm ²
7	Slip strength of clamp	Kgs.	±25 Kg.
28	Clamp & Hardware Parameter		<p>Design details are as follows:</p> <p>a) The clamp for holding conductor/OPGW/ earth wire is spring type and is made of UV stabilized engineered composite plastic (polymer), be suitable for live line installation by hot stick or drone.</p> <p>(b) All metal hardware used in Bird Flight Diverter including the bearing is made of corrosion-free material.</p> <p>(c) All plastic (polymer) parts are UV stabilized.</p> <p>(d) Clamp is suitable for gripping the conductor/OPGW/ earth wire strongly. Rubber/polyurethane lining is used in the gripping area of clamp as per requirement of the conductor type.</p> <p>(e) Clamp Contact Area=85%</p> <p>(f) Clamp is free from sharp ends or edges, abrasions, projections, grit materials, and shall not cause chafing or damage to the conductor/earth wire/OPGW, during fitting or during continued operation.</p> <p>(g) Parts of the clamp touching conductor are able to withstand temperature range from -15 C to +85 C for conventional conductors. In case of installation on HTLS conductor, the maximum operating temperature under emergency loading conditions shall be specified by the utility.</p> <p>(h) The clamp is able to bear pulling load of at least 50 kg and it is to be tested on Universal Testing Machine by a NABL accredited laboratory</p>

9	Warning Disc type	Our warning disc has contrasting colored (combination of any two colours from Red, Yellow, Orange, or White) retroreflective surface with Sun and Moon light reflectors on both faces. Since, the warning disc is to be designed to rotate, the colour change, while revolving, shall provide significant forewarning.
10	Performance	Performance Certificate attached along with Annexure-4 and work orders attached as per Annexure-1
11	Service life	Bird Flight Diverter (BFD) is designed for expected service-life of at least 15 years
12	Installation feasibility	BFD is suitable for installation on live line Installation shall be done as per instructions of transmission line owner/as per CEA guideline
13	Type of Disc	Circular Disk Dia of IndoDivert Bird flight diverter offers herein is 222±5mm
14	Movement	(I) Bird Flight Diverter is resistant to all weather conditions. (II) Bird Flight Diverter is aerodynamically stable so that diverter faces minimum amount of drag force which provide swing and rotation effect under medium/strong wind speed
15	Weather effect	(i) Bird Flight Diverter is suitable for efficient working and shall retain good physical Characteristics under all weather conditions. (ii) Bird Flight Diverter resistant to all weather conditions.
16	Type of Material	Warning Disk is made of UV stabilized plastic. The bearing is made of stainless steel and free spins in minimum wind speed of 2 km/hour.
17	Total Surface area	It has diameter of 222±5mm Total Surface Area= +38500 mm ²
18	Thickness	Its thickness is 20mm at rim
19	Area of glow in dark	Glow in Dark area above 22000 mm ²
20	Packing & forwarding modality	Road Transit worthy, eco-friendly, Packing used.
21	Warranty Period	We offer 5 years warranty on our Bird Flight Diverter

Suitable for Conductor
OPGW/ RABBIT

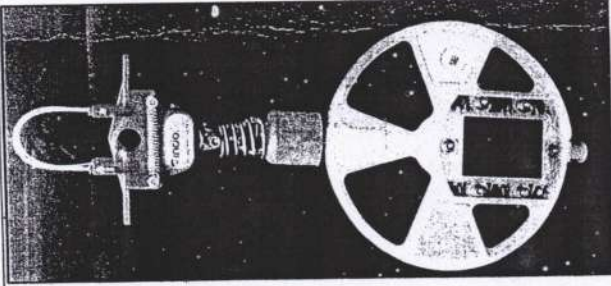
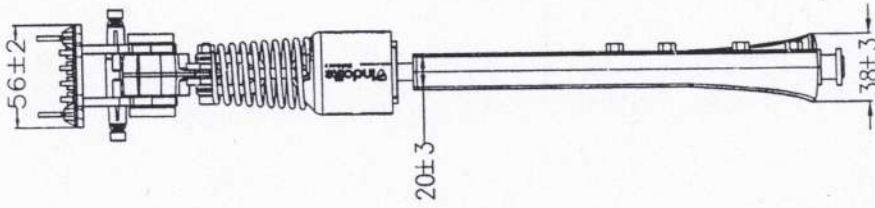


Warning Disk:

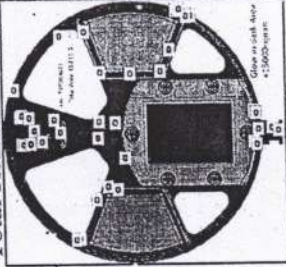
1. Can swing, sway and rotate
2. Reflector Color: Red and Orange/Yellow
3. Reflective Area per face: + 4300 sq. mm
4. Glow in Dark Area per face: + 15000 sq. mm
5. Ultraviolet light protected
6. Flashing LEDs visible on both faces of warning disk
7. Auto ON/OFF : Brightness activated
8. Works for 100hrs after one full charge
9. Visible from 500mtrs
10. Solar Powered

Clamp:

1. Type: Spring type - Snap clamp
2. Grp tested for:
 - a) Suspended load = +100kg
 - b) Pull Load (in direction of EW/ OPGW/Conductor) = 25kg
3. Hardware: Stainless Steel/ Aluminium
4. Bearing: Corrosion free, Self lubricating, SS446 Bearing
5. Temperature tolerance of clamp parts (touching): conductor -15°C - +190°C



Total Reflective Area



Glow in Dark Area

Component Details			
S. No.	Description	Material	Manufacturing process
A.	Snap Clamp	Stainless Steel 304	Injection Moulding
B.	D-Shackle	Stainless Steel 304	Forging/ Machining (Customer)
C.	Bearing Assembly	Al / PAI / POM	Machining
D.	Warning Disk	UV Stable Plastic	Injection Moulding
E.	Charging	Solar Module	
F.	Battery	Lithium Ion	

Amendment 3 12 July 2021
 Amendment 2 Reflector Embedded in Warning Disk
 Amendment 1 Suspension Spring Added
 10 Jan 2021

PART NO. Model DATE Scale
 NFV3 15 Nov 2020 N T S

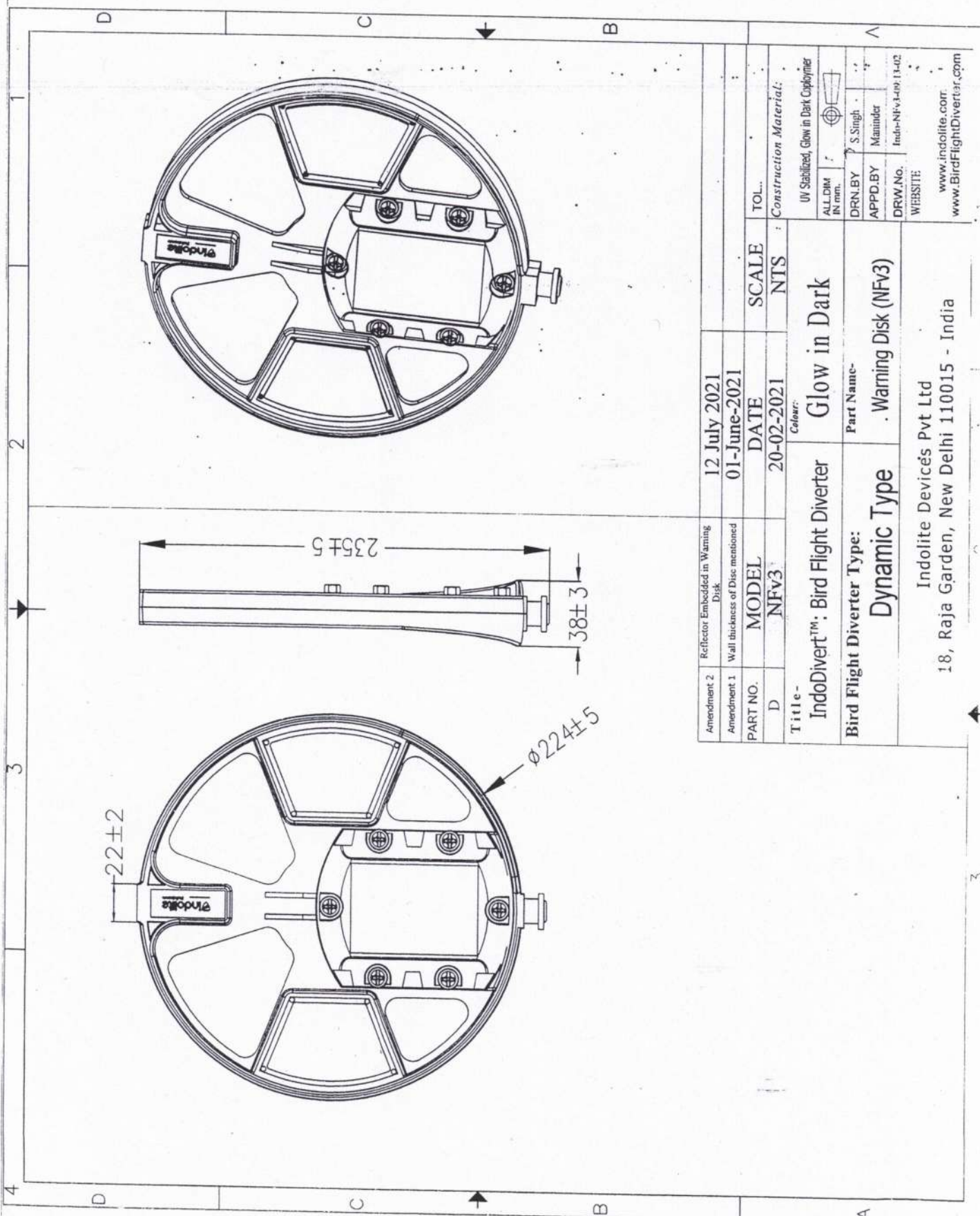
Title: Weight: 710 ± 50 grams
 Clamp Type: Snap Clamp

Bird Flight Diverter Type: Dynamic Type
 Clamp Suitable for: Conductor Size $\phi 9\text{mm} - \phi 13\text{mm}$

Patent Protected
 Due to incessant development and design optimization of our products, we reserve the right to modify the specifications and data without notice.

ALL DIM IN mm.
 DRN.BY S.S.
 APPD.BY Manner
 DRW.No. Indo-NFV3-09-13-01
 WEBSITE
 www.indolite.com
 www.BirdFlightDiverter.com

Indolite Devices Pvt Ltd
 18, Raja Garden, New Delhi 110015 - India



Amendment 2 Reflector Embedded in Warning Disk

Amendment 1 Wall thickness of Disc mentioned

PART NO. MODEL

D NFv3

12 July 2021

01-June-2021

DATE

20-02-2021

TOL.

NTS

SCALE

Construction Material:

UV Stabilized, Glow in Dark Copolymer

ALL DIM IN mm.

DRN.BY S.Singh

APPD.BY Maninder

DRW.No. Ind-1NFv3-109-11-02

WEBSITE: www.indolite.com

www.BirdFlightDiverter.com

Title-

IndoDiverter™: Bird Flight Diverter

Bird Flight Diverter Type:

Dynamic Type

Colour:

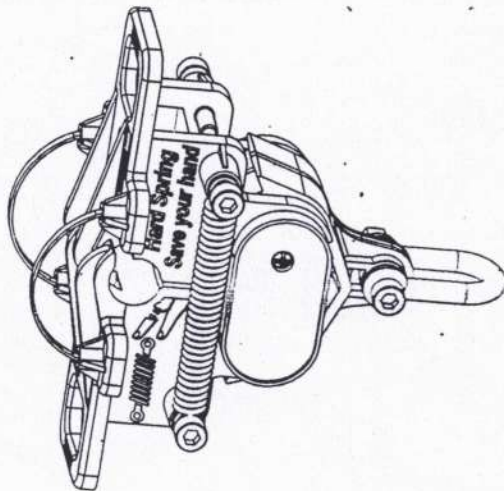
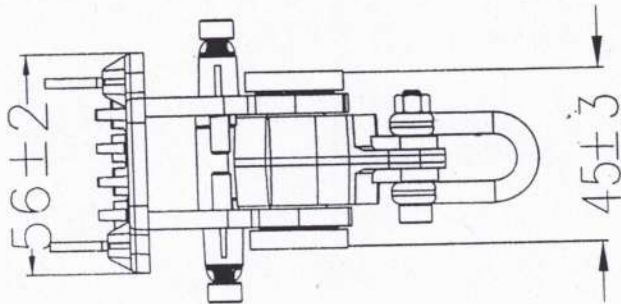
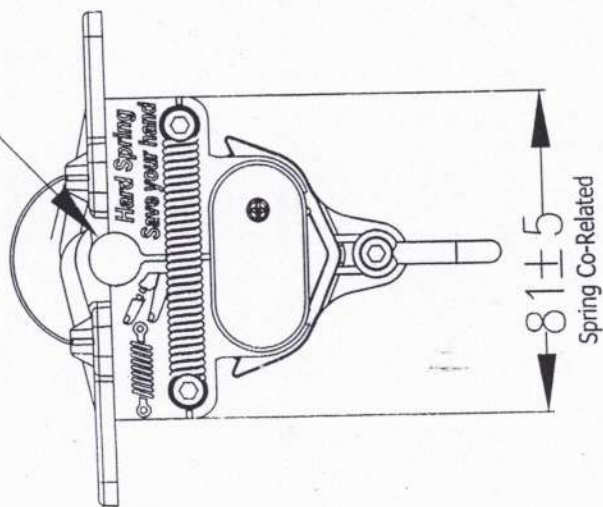
Glow in Dark

Part Name-

Warning Disk (NFv3)

Indolite Devices Pvt Ltd
18, Raja Garden, New Delhi 110015 - India

Suitable for Conductor
dia $\varnothing 9\text{mm} - \varnothing 13\text{mm}$



Amendment	Design Optimized for Single Spring	08 Aug 2021	SCALE
PART NO.	MODEL	DATE	NTS
A	NFV3	20-02-2021	

Colour:

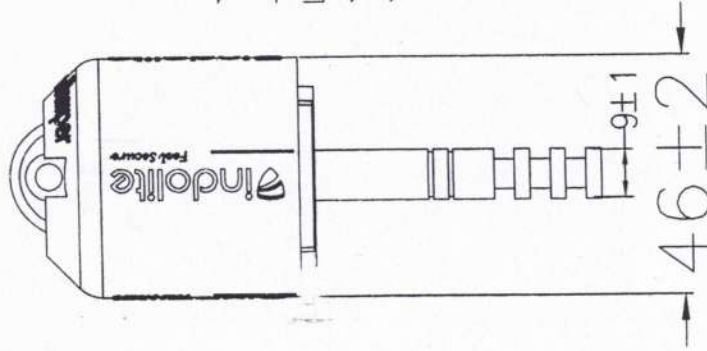
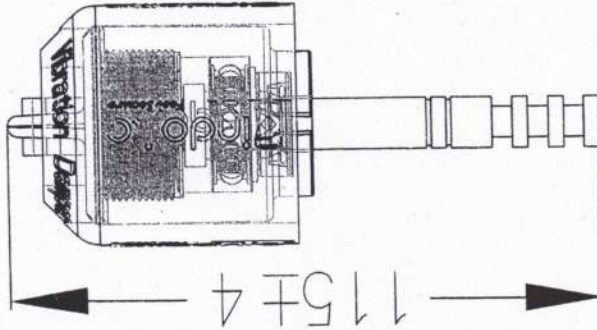
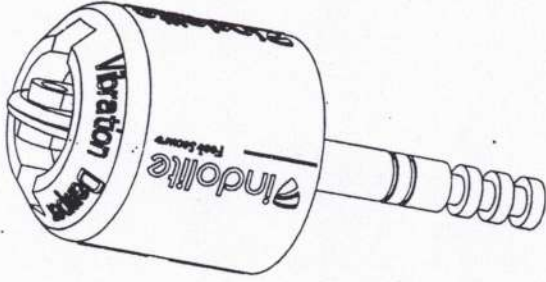
Title-
IndoDiver™: Bird Flight Diverter
Red/ Black/ Glow in Dark

Bird Flight Diverter Type:
Dynamic Type

Part Name-
Snap Clamp

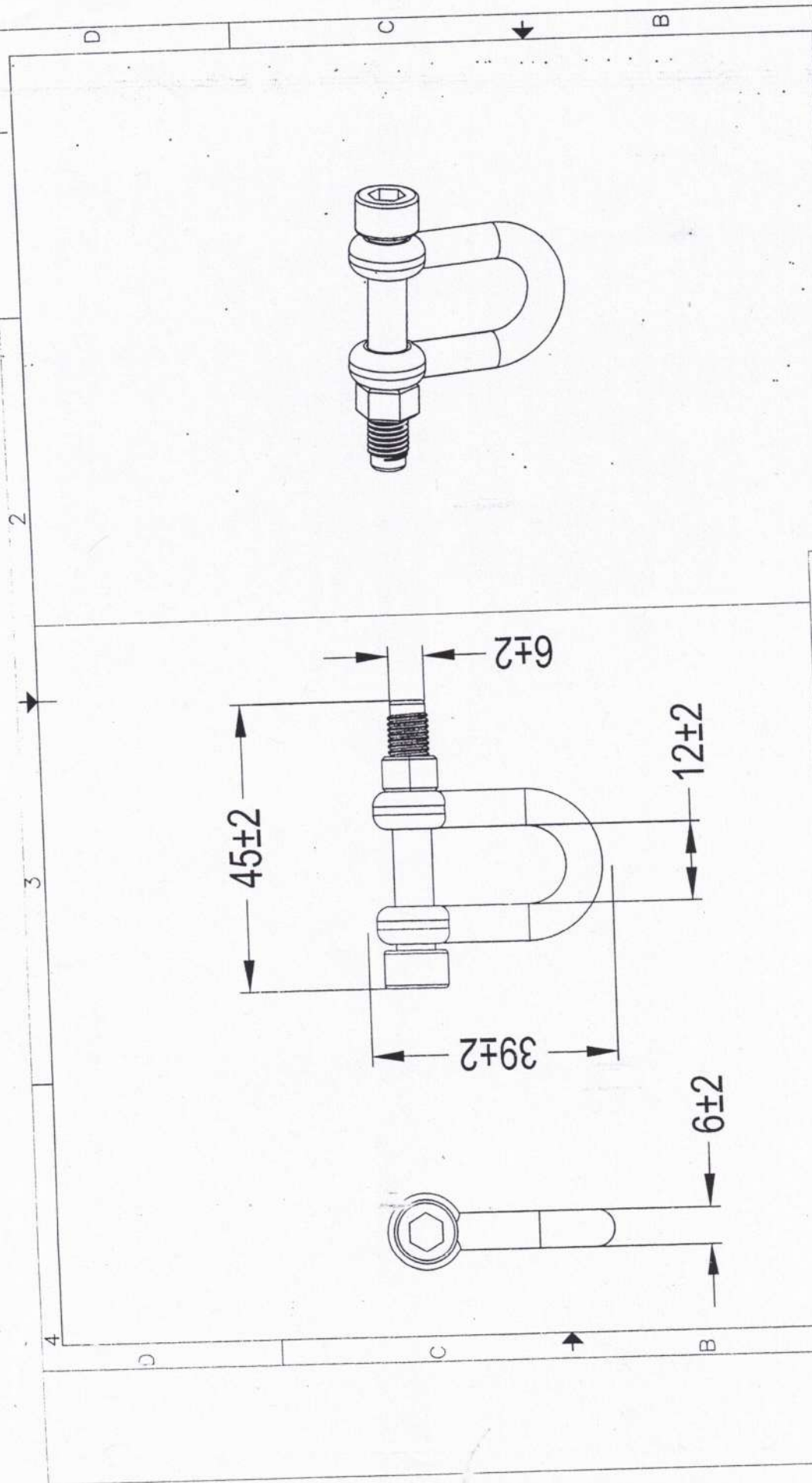
TOL.	Construction Material:
	UV Stabilized, Glass reinforced engg. polymer
ALL DIM IN mm.	
DRN.BY	S.S.
APPD.BY	Maininder
DRW.NO.	Indo-NFV3-APP:3-03
WEBSITE	www.indolite.com

Indolite Devices Pvt Ltd
18, Raja Garden, New Delhi 110015 - India



Amendment	MODEL	DATE	SCALE	TOL.
PART NO. C	NFV3	20-02-2021	NTS	AI / PA / POM
Title- Indolite™ - Bird Flight Diverter		Colour:	Construction Material: Bearing Material: SS-440	
Bird Flight Diverter Type: Dynamic Type		Part Name- Bearing Assembly	ALL DIM IN mm.	DRN.BY SS
			APPD.BY Maninder	DRW.No. Indo-NFV-09/13-04
			WEBSITE:	www.indolite.com www.BirdFlightDiverter.com

Indolite Devices Pvt Ltd
18, Raja Garden, New Delhi 110015 - India



Amendment	Model	DATE	Scale	TOL.
PART NO. B	NFV3	20-02-2021	NTS	Construction Material: SS304
Title - IndoDiverter™: Bird Flight Diverter		Colour: Steel		ALL DIM IN mm.
Bird Flight Diverter Type: Dynamic Type		Part Name: D-shackle		DRN.BY S.S.
				APPD.BY Mammider
				DRW.No. Indo-NFV3-09.13-05
				WEBSITE
				www.indolite.com
				www.BirdFlightDiverter.in

Indolite Devices Pvt Ltd
 18, Raja Garden, New Delhi 110015 - India

General Technical Particulars for LED Type Bird Flight Diverter

Sr. No.	Technical Particular	Unit	Details to be provided by Bidder
1.	Name of OEM of bird flight diverter		Indolite Devices Pvt Ltd
2	Proposed works for supply		Bird Flight Diverter with LED
3	Total height of bird diverter assembly from clamp center to end of assembly(Total length)	mm.	405 ± 10mm
4	Total weight of bird diverter assembly	Grams	710 gm ± 50gms
5	Shape & size of warning disc		Warning Disk; Circular Diameter 224mm ± 5mm
6	Minimum reflective area on each face of warning disc	Sq. mm.	+4300 sq mm
7	Slip strength of clamp	Kgs.	Test passed @ 25 kg (pull test towards direction of conductor) & 100 kg suspended load
8	Clamp & Hardware Parameter		Non-Conductive clamp. All hardware is non-corrosive
9	Warning Disc type		Round, attached to clamp with rotary mechanism
10	Performance		All tests passed as per Technical Specifications
11	Service life		Expected service life = 15 years
12	Installation feasibility		Can also be installed on live line using a drone, hot stick etc
13	Type of Disc		Round Disk – Glows in Dark
14	Movement		Can Swing Sway & Rotate
15	Weather effect		Passed Salt and dust test
16	Type of Material		UV Stabilized polymer
17	Total Surface area		+38,000 sq mm including air vents
18	Thickness		+4mm with 20mm thick reinforcement at collar
19	Area of glow in dark		+15000 sq mm
20	Packing & forwarding modality		Eco-Friendly packing used.
21	Warranty Period		66 months from supply or 60 months from installation – whichever is earlier

ANNEXURE-6

File No. CEA-PS-14-75/2/2022-PSETD Division/ 634



आजादी का
अमृत महोत्सव

भारत सरकार
Government of India
विद्युत मंत्रालय
Ministry of Power
केन्द्रीय विद्युत प्राधिकरण
Central Electricity Authority
विद्युत प्रणाली अभियांत्रिकी एवं प्रौद्योगिकी विकास प्रभाग
Power System Engineering & Technology Development Division
3rd Floor, Sewa Bhawan, R.K. Puram
New Delhi - 66, Telefax: 26170541 Telephone: 26732358

To,
M/S Indolite Device Pvt. Ltd.
Admin. Office, 18, Raja Garden,
New Delhi - 110015 (India)
Email : sales@indolite.com

विषय/Subject: Request for kind consideration to approve "Indolite Bird Flight Diverters" as per Technical Specification issued by CEA.

Dear Sir,

Please refer your letter no. INDO/MS/10/2022/1160 dated 03.10.2022 on the subject matter seeking approval of "Indolite Bird Flight Diverter (model no. WMSv2-non LED type and model no. NFv3-LED Type)" as per Technical Specification of Bird Flight Diverter issued by Supreme Court Appointed Committee in consultation with Central Electricity Authority (CEA) under reference to Hon'ble Supreme Court of India directive to make available a sustainable quality product and circulated by CEA's letter No. CEA-PS-14-75/2/2022-PSETD Division /274-338 dated 16.6.2022 and product demonstrated.

M/S Indolite Device Pvt. Ltd. letter dated 3rd October, 2022 along with test report has been examined and are generally in order as per the requirement of the Technical Specification of Bird Flight Diverter issued by

File No. CEA-PS-14-75/2/2022-PSETD Division

Supreme Court Appointed Committee in consultation with Central Electricity Authority (CEA). This is important to safe guard birds against collision and electrocution with transmission lines and it is the responsibility of the transmission line developers to ensure compliance to this statutory requirement as per technical specification of Bird Flight Diverters.

Central Electricity Authority appreciates M/s Indolite Device Pvt. Ltd. efforts in designing, developing and manufacturing a quality product under Make in India initiative as per Technical Specifications.

Thanking you

भवदीय/ Regards

2/9/22
10/10/2022
(भवर सिंह मीना /Bhanwar Singh Meena)
उपनिदेशक/Deputy Director

NRSS XXXVI TRANSMISSION LIMITED

Registered Office: Flat No. 91, 3rd Floor, Pocket 4, H-16, DDA, Sector 11, Dwarka, New Delhi 110075
Corporate Office: Shatabdi Bhawan, B 12 & 13, Sector 4, Noida, Uttar Pradesh - 201301
CIN: U40302IN2015PLC284168 • Tel: +91-8860764693 / +022-6717-2869 • Email ID: nss11nss@gmail.com

NRSS/2023-24/DFO/Jhunjhunu/ 37

Dated: 30.10.2023

To

The Divisional Forest Officer,
Jhunjhunu, Rajasthan.

Subject: Recommendation for Stage 2 forest clearance for 400 kV Babai Bhiwani D/C Transmission Line in Rajasthan section.

References:

1. Your office letter no. F () FCA/ उवसंज्ञ/2023-24/4133 dated 24.05.2023
2. Our office letter no. NRSS/2023-24/ DFO Jhunjhunu/13 dated 08.06.2023
3. Our office letter no. NRSS/2023-24/ DFO/25 dated 10.08.2023

Dear Sir,

With reference to your good office letter no. F () FCA/ उवसंज्ञ/2023-24/4133 dated 24.05.2023 (enclosed as Annexure 1), NRSS XXXVI Transmission Limited was asked to deposit an amount of Rs. 93516 on account of revision of project cost. NRSS XXXVI Transmission limited deposited the amount of Rs. 93516 on 29.05.2023 in favor of Rajasthan Protected Area Conservation Society. The information for having made the payment along with the bank payment advise was communicated to your good office vide our office letter no. NRSS/2023-24/ DFO Jhunjhunu/13 dated 08.06.2023 (enclosed as Annexure 2).

Further to our letter no NRSS/2023-24/ DFO/25 dated 10.08.2023 (enclosed as Annexure 3), we wish to inform you that, we have installed the Bird Flight Diverters on Forest as well as well as Revenue land (Non Forest land) (enclosed as Annexure 4) on the transmission line.

We have installed M/s Indolite make bird flight diverters (Model nos. WMSv2 & NFv3) on the Babai-Bhiwani transmission line. The Indolite make bird flight diverters with model no. WMSv2 (approved GTP enclosed as Annexure 5) & NFv3 (approved GTP enclosed as Annexure 5) have been approved by the Central Electricity Authority (CEA), Ministry of Power, Government of India as they were in accordance to the requirement of the Technical Specification of Bird Flight Diverters issued by Supreme Court appointed committee in consultation with CEA (CEA approval enclosed as Annexure 6).

We request you to kindly recommend our case for the final approval of Stage 2 clearance, as all the conditions of Stage 1 clearance have been successfully complied by NRSS XXXVI Transmission Limited.

Thanking you,



For NRSS XXXVI Transmission Limited

अवसंज्ञक
02-10-2023
प्रबंधक
वन संरक्षण
कृष्णपुर (राज०)

NRSS XXXVI TRANSMISSION LIMITED

Registered Office: Flat No. 94, 3rd Floor, Pocket-4, LIG Flats, Sector-11, Dwarka, New Delhi-110075

Corporate Office: Shatabdi Bhawan, B 12 & 13, Sector 4, Noida, Uttar Pradesh - 201301

CIN: U40300DL2015PLC284168 • Tel.: +91-8860764693 / +022- 6717-2869 • Email ID: sect.nrss@gmail.com

NRSS/2023-24/DFO/Jhunjhunu/ 37

Dated: 30.10.2023

To

The Divisional Forest Officer,
Jhunjhunu, Rajasthan.

Subject; Recommendation for Stage 2 forest clearance for 400 kV Babai Bhiwani D/C Transmission Line in Rajasthan section.

References:

1. Your office letter no. F () FCA/ उवसंडु/2023-24/4133 dated 24.05.2023
2. Our office letter no. NRSS/2023-24/ DFO Jhunjhunu/13 dated 08.06.2023
3. Our office letter no. NRSS/2023-24/ DFO/25 dated 10.08.2023

Dear Sir,

With reference to your good office letter no. F () FCA/ उवसंडु/2023-24/4133 dated 24.05.2023 (enclosed as Annexure 1), NRSS XXXVI Transmission Limited was asked to deposit an amount of Rs. 93516 on account of revision of project cost. NRSS XXXVI Transmission limited deposited the amount of Rs. 93516 on 29.05.2023 in favor of Rajasthan Protected Area Conservation Society. The information for having made the payment along with the bank payment advise was communicated to your good office vide our office letter no. NRSS/2023-24/ DFO Jhunjhunu/13 dated 08.06.2023 (enclosed as Annexure 2).

Further to our letter no NRSS/2023-24/ DFO/25 dated 10.08.2023 (enclosed as Annexure 3), we wish to inform you that, we have installed the Bird Flight Diverters on Forest as well as well as Revenue land (Non Forest land) (enclosed as Annexure 4) on the transmission line.

We have installed M/s Indolite make bird flight diverters (Model nos. WMSv2 & NFv3) on the Babai-Bhiwani transmission line. The Indolite make bird flight diverters with model no. WMSv2 (approved GTP enclosed as Annexure 5) & NFv3 (approved GTP enclosed as Annexure 5) have been approved by the Central Electricity Authority (CEA), Ministry of Power, Government of India as they were in accordance to the requirement of the Technical Specification of Bird Flight Diverters issued by Supreme Court appointed committee in consultation with CEA (CEA approval enclosed as Annexure 6).

We request you to kindly recommend our case for the final approval of Stage 2 clearance, as all the conditions of Stage 1 clearance have been successfully complied by NRSS XXXVI Transmission Limited.

Thanking you,



For NRSS XXXVI Transmission Limited

NRSS XXXVI TRANSMISSION LIMITED

Registered Office: Flat No. 94, 3rd Floor, Pocket-4, LIG Flats, Sector-11, Dwarka, New Delhi-110075

Corporate Office: Shatabdi Bhawan, B 12 & 13, Sector 4, Noida, Uttar Pradesh - 201301

CTN: U40300DL2015PLC284168 • Tel.: +91-8860764693 / +022- 6717-2869 • Email ID: sect.nrss@gmail.com

Enclosures:

1. Annexure 1 - Your office letter no. F () FCA/ उवसंडु/2023-24/4133 dated 24.05.2023.
2. Annexure 2 - Our office letter no. NRSS/2023-24/ DFO Jhunjhunu/13 dated 08.06.2023
3. Annexure 3 - Our office letter no. NRSS/2023-24/ DFO/25 dated 10.08.2023
4. Annexure 4 - Pictures of Bird Flight Diverter Installation in Non-Forest Area
5. Annexure 5 - CEA approved Drawings & Guaranteed Technical Particulars (GTP) for WMSv2 model & NFv3 model.
6. Annexure 6 - CEA Approval for Indolite Make Bird Flight Diversers

ANNEXURE - 1

स्मरण पत्र

कार्यालय उप वन संरक्षक, झुंझुनू

क्रमांक :- एफ()एफसीए / उवसझु / 2023-24 / 4133
NRSSXXXVI Transmission limited,
A 26/3, Mohan cooperative industrial
Estate, Sarita Vihar, New Delhi.

दिनांक:- 24/5/23

विषय:- Diversion of 13.015Ha of Forest land in favor of NRSSXXXVI Transmission limited. for the construction of 400kV D/C Babai (RRPVNL) to Bhiwani (PGCIL) Transmission line in Jhunjhunu forest division. Rajasthan-Submission of Stage -I complice (Proposal SEZ Part-D) (Proposal no FP/RJ/TRANS/28622/2017)

संदर्भ:- अतिरिक्त प्रधान मुख्य वन संरक्षक एवं नोडल अधिकारी एफसीए का पत्रांक एफ 14 (Trans)2017/एफसीए/प्रमुवसं/5501 दिनांक 04.04.2023, मुख्य वन संरक्षक का पत्रांक 2414 दिनांक 27.04.2023, इस कार्यालय के पूर्व पत्रांक 3384 दिनांक 18.05.2023 एवं आपका पत्रांक 05 दिनांक 16.05.2023 के क्रम में।

महोदय,

उपरोक्त विषयान्तर्गत लेख है कि आपके पत्रांक 05 दिनांक 16.05.2023 द्वारा प्रोजेक्ट राशि 11644 लाख बताया गया है। उक्त प्रकरण में बांसियाल-खेतड़ी कंजर्वेशन रिजर्व का 7.452 हैक्टर क्षेत्रफल आ रहा है। पूर्व में प्रोजेक्ट राशि 11000 लाख होने पर कंजर्वेशन रिजर्व क्षेत्र में अनुपातिक राशि का 5 प्रतिशत 1597316 RPACS में आप द्वारा जमा करा दिया गया है वर्तमान में यूजर एजेंसी से पत्रांक 05 दिनांक 16.05.2023 से संशोधित प्रोजेक्ट राशि 116444 लाख प्राप्त होने पर कंजर्वेशन रिजर्व क्षेत्र में अनुपातिक राशि का 5 प्रतिशत 1690832 /- बनता है अतः अन्तर राशि रूपये 93516 Rajasthan Protected Area Conservation Society A/c Number 61087162999 IFSC Code SBI0031510 State bank of India Tilak Marg Jaipur में जमा कराकर जमा रसीद इस कार्यालय में प्रस्तुत करें। इसके अलावा इस कार्यालय के पत्रांक 3884 दिनांक 18.05.2023 (प्रति संलग्न) की पालना रिपोर्ट भी साथ में भिजवाए ताकि प्रकरण में अग्रिम कार्यवाही की जा सके।

भवदीय,

(राजेन्द्र कुमार हुड्डा)
उप वन संरक्षक
झुंझुनू

संख्या पत्र

कार्यालय उप वन संरक्षक, झुंझुनू

दिनांक:- 18-05-2023

क्रमांक :- एफ()एफसीए / उपसझ / 2023-24 / 3884
NRSSXXXVI Transmission limited,
A 26/3, Mohan cooperative industrial
Estate, Sarita Vihar, New Delhi.

विषय:- Diversion of 13.015Ha of Forest land in favor of NRSSXXXVI Transmission limited, for the construction of 400kV D/C Babai (RRPVNL) to Bhiwani (PGCIL) Transmission line in Jhunjhunu forest division, Rajasthan-Submission of Stage -I complice (Proposal Sr:Z. Part-2) (Proposal no FP/RJ/TRANS/28622/2017)

संदर्भ:- अतिरिक्त प्रधान मुख्य वन संरक्षक एवं नोडल अधिकारी एफसीए का पत्रांक एज 14 (Trans)2017 / एफसीए / प्रमुवसं / 5501 दिनांक 04.04.2023, मुख्य वन संरक्षक का पत्रांक 2414 दिनांक 27.04.2023 के क्रम में।

महोदय,

उपरोक्त विषयान्तर्गत लेख है कि वन विभाग राजस्थान सरकार के पत्रांक एज 120 वन/2018 दिनांक 14.03.2023 से प्रकरण में दो बिन्दुओं पर अतिरिक्त सूचनाएं चाही गई हैं। राज्य सरकार के पत्र के बिन्दु 2 की पालना में Bird Diverters के installation में Quality norms बाबत माननीय सर्वोच्च न्यायालय के निर्णय दिनांक 30.11.2022 इन रिट पिटिशन (सिविल) नं. 838/2019 की पालना हेतु भारत सरकार, नवीन और नवीकरणीय ऊर्जा मंत्रालय, ग्रिड सौर ऊर्जा प्रभाग नई दिल्ली के निर्देश पत्र 283/26/2021-GRIS SOLAR (V) दिनांक 06.01.2023 (प्रति संलग्न) को मधेनजर रखा जावे।

अतः राज्य सरकार के उपर्युक्त पत्र दिनांक 14.03.2023 एवं 06.01.2023 की छाया प्रति संलग्न कर प्रेषित है कि बिन्दुवार सूचनाएं शीघ्र भिजवाना सुनिश्चित करें।
संलग्न:- उपरोक्तानुसार

भवदीय,

(राजेन्द्र कुमार हुड्डा)
उप वन संरक्षक
झुंझुनू



राजस्थान सरकार
वन विभाग

150
18792 no.

क्रमांक: प. 1(20) वन/2018

जयपुर, दिनांक:-

अतिरिक्त प्रधान मुख्य वन संरक्षक
प्रोटेक्शन एवं नोडल अधिकारी एफसीए
राजस्थान, जयपुर।

विषय:- Diversion of 13.015 ha of forest land in favour of NRSSXXXVI, Transmission Limited, New Delhi for construction of 400 KV D/C Babai (RRV PNL)- Bhiwani (PGCIL) Transmission Line in JKhunjhunu district- Rajasthan।

संदर्भ:-आपका पत्रांक 14(20)17/एफसीए/प्रमुवस/2188 दिनांक 28.08.2022

महोदय,

उपरोक्त विषयान्तर्गत संदर्भित प्रस्ताव के क्रम में प्रधान मुख्य वन संरक्षक एवं मुख्य वन्यजीव प्रतिपालक, राजस्थान, जयपुर के पत्रांक 1812 दिनांक 26.08.2022 में वर्णित निम्नवत टिप्पणी पर सूचना तत्काल भिजवाने का श्रम करावे:-

- (1) Documents providing final project cost : In case of cost overrun, the balance amount of 5 % of project cost deposition by user agency in RPACS
- (2) CCF Jaipur was advised for ensuring compliance of conditions as per the undertaking given by the user agency regarding installation of Bird Flight Divertor's undertaking dated 12.12.2017 submitted on MoEF CC Portal before the Stage 1 Clearance approval from MoEF & CC dated 14.7.2019

भवदीय,

(मोनाली सेन)
विशेषाधिकारी, वन

Signature Not Verified

Digital Signature of Monali Sen
Designation: Deputy Conservator
Date: 2023/03/14 Time: 06:34:15
Reason: Approved

RajKaj Ref No. 1000000000

NRSS XXXVI TRANSMISSION LIMITED

File

Registered Office: 94, Pocket-4, Sector-11, Dwarka, New Delhi - 110075

Corporate Office: Shatabdi Bhawan, B 12 & 13, Sector 4, Noida, Uttar Pradesh - 201301

CIN: U40300DL2015PLC284168 • Tel.: +91-7042053497 / +022-6717-2869 • Email ID: sect.nrss@gmail.com

NRSS/2023-24/DFO Jhunjhunu/13

Dated: 08.06.2023

To,

The Divisional Forest Officer,
Jhunjhunu, Rajasthan.

Subject: Diversion of 13.015 Ha of Forest Land in favor of NRSS XXXVI Transmission Limited, for the construction of 400KV D/C Babai (RRPVNL) to Bhiwani (PGCIL) Transmission line in Jhunjhunu forest division, Rajasthan-Submission of Stage-I complice (proposal SEZ part-D) (Proposal no. FP/RJ/TRANS/28622/2017).

Reference: Your Office letter no. F () FCA / उपसंग्रह/ 2023-24/4133 dated 24.05.2023.

Dear Sir,

With reference to the above subject, we wish to inform you that we have deposited the difference 5% of the proportionate cost in Conservation Reserve Area amounting Rs.93,516/- (Rupees Ninety Three Thousand Five Hundred Sixteen Only) as demanded vide your office letter F () FCA / उपसंग्रह/ 2023-24/4133 dated 24.05.2023 on account of revision of project cost to Rs.11644 Lakhs from the initial declared project cost of Rs.11000 Lakhs. The amount is deposited in favour of Rajasthan Protected Area Conservation Society A/C Number 61087162999 and receipt of the same is enclosed for reference.

Thanks and regards



T. Muraleedharan
CEO



Received
13/6/23

Enclosures:

1. Receipt of Payment confirmation dated 08.06.23.



Kotak Mahindra Bank

Date: 08 June 2023

To whomsoever it may concern

Sub: Payment confirmation

This is to confirm that, NRSS XXXVI TRANSMISSION LIMITED has made payment of Rs. 93,516/- (Rupees Ninety Three Thousand Five Hundred Sixteen Only) from current A/c no. 3146673671 to following beneficiary on 29-May-2023.

UTR No.- KKBK231498843342

Name of Beneficiary: RAJASTHAN PROTECTED AREA CONSERVATION SOCIETY

ACCOUNT NO: 61087162999

Bank Name: STATE BANK OF INDIA

IFSC Code: SBIN0031510

For Kotak Mahindra Bank



Kotak Mahindra Bank Ltd.
CIN: L55110MH1985PLC038137
27BKC, 3rd Floor, Plot No. C-27
G-Block, Bandra Kurla Complex
(BKC), Bandra (E), Mumbai - 400051
Maharashtra

T +91 22 61661350
www.kotak.com

Registered Office:
27 BKC, C 27, G Block,
Bandra Kurla Complex,
Bandra (E), Mumbai 400051,
Maharashtra, India

ANNEXURE - 3

NRSS XXXVI TRANSMISSION LIMITED

Registered Office: 94, Pocket-4, Sector-11, Dwarka, New Delhi - 110075
Corporate Office: Shatabdi Bhawan, B 12 & 13, Sector 4, Noida, Uttar Pradesh - 201301
CEN: U40300DL2015PLC284168 • Tel.: +91-7042053497 / +022-6717-2869 • Email ID: sect.nrss@gmail.com

NRSS/2023-24/DFO/25

Dated: 10.08.2023

To,

The Divisional Forest officer,
Jhunjhunu, Rajasthan.

Subject: Diversion of 13.015 Ha of Forest Land in favor of NRSS XXXVI Transmission Limited, for the construction of 400KV D/C Babai (RRPVNL) to Bhiwani (PGCIL) Transmission line in Jhunjhunu forest division, Rajasthan-Submission of Stage-I complice (proposal SEZ part-D) (Proposal no. FP/RJ/TRANS/28622/2017)

Reference:

1. Our office letter no. NRSS/2023-24/DFO/10 dated 07.06.2023
2. Your good office letter no. F () FCA/ उवसंयु 2023-24/ 3884 dated 18.05.2023
3. Letter no. F 14 (Trans) 2017 / FCA / प्रमुखस/ 5501 dated 04.04.2023 from the office of Additional Principal Chief Conservator of Forest, Jaipur, Rajasthan

Dear Sir,

This has reference to letter no. F 14 (Trans) 2017 / FCA / प्रमुखस/ 5501 dated 18.05.2023. from your good office mentioned above. We had submitted an undertaking for installation of the bird flight diverters on 400KV Babai- Bhiwani Transmission line in Khetri-Baniyal Forest area vide our letter no. NRSS/2023-24/DFO/10 dated 07.06.2023

In this context, we would like to inform you that we have completed the installation of the bird flight diverters between location no. AP-3/4 to AP-3/7 and between locations AP-12/0 to AP-16/0 in the Khetri-Baniyal Forest area of Rajasthan (pictures enclosed as Annexure). These bird diverters installed comply to the norms specified by Government of India, Ministry of New & Renewable Energy vide letter no. F. No.283/ 26/ 2021-GRID-SOLAR (v)

In view of the above, we request you to kindly issue the Stage 2 forest clearance for 400 kV Babai Bhiwani D/C Transmission Line in Rajasthan.

Thanking you,

Yours' Faithfully.

For NRSS XXXVI Transmission Limited

T Muraleedharan
CEO

Received
11/8/23

सो दो सो
11/8/23

Regd. Office: 94, Pocket-4, Sector-11, Dwarka, New Delhi-110075

Scanned by TapScanner

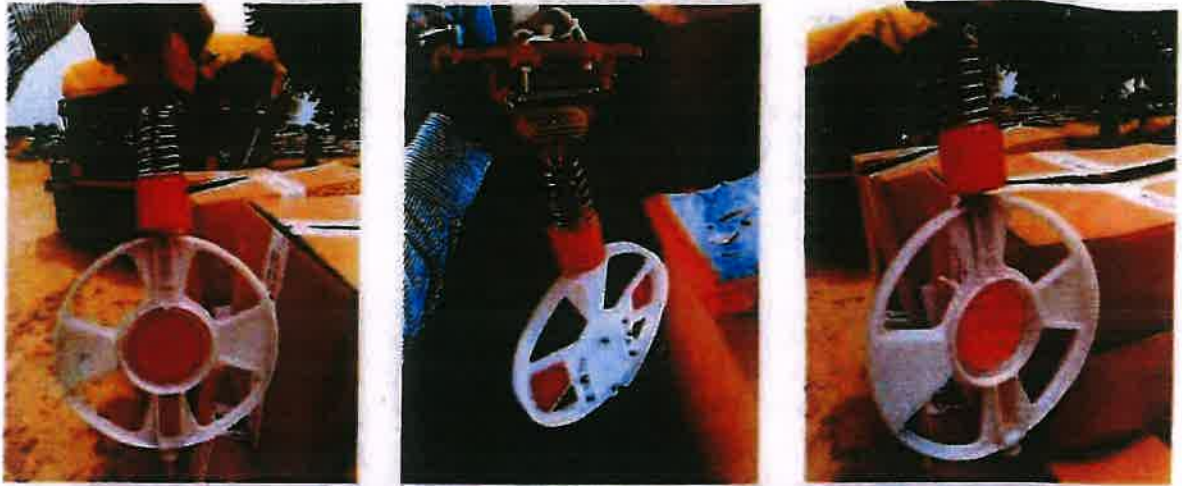
NRSS XXXVI TRANSMISSION LIMITED

Registered Office: 94, Pocket-4, Sector-11, Dwarka, New Delhi - 110075

Corporate Office: Shatabdi Bhawan, B 12 & 13, Sector 4, Noida, Uttar Pradesh - 201301

CIN: U40300DL2015PLC284168 • Tel.: +91-7042053497 / +022-6717-2869 • Email ID: sa@nrssl.com

Annexure 1



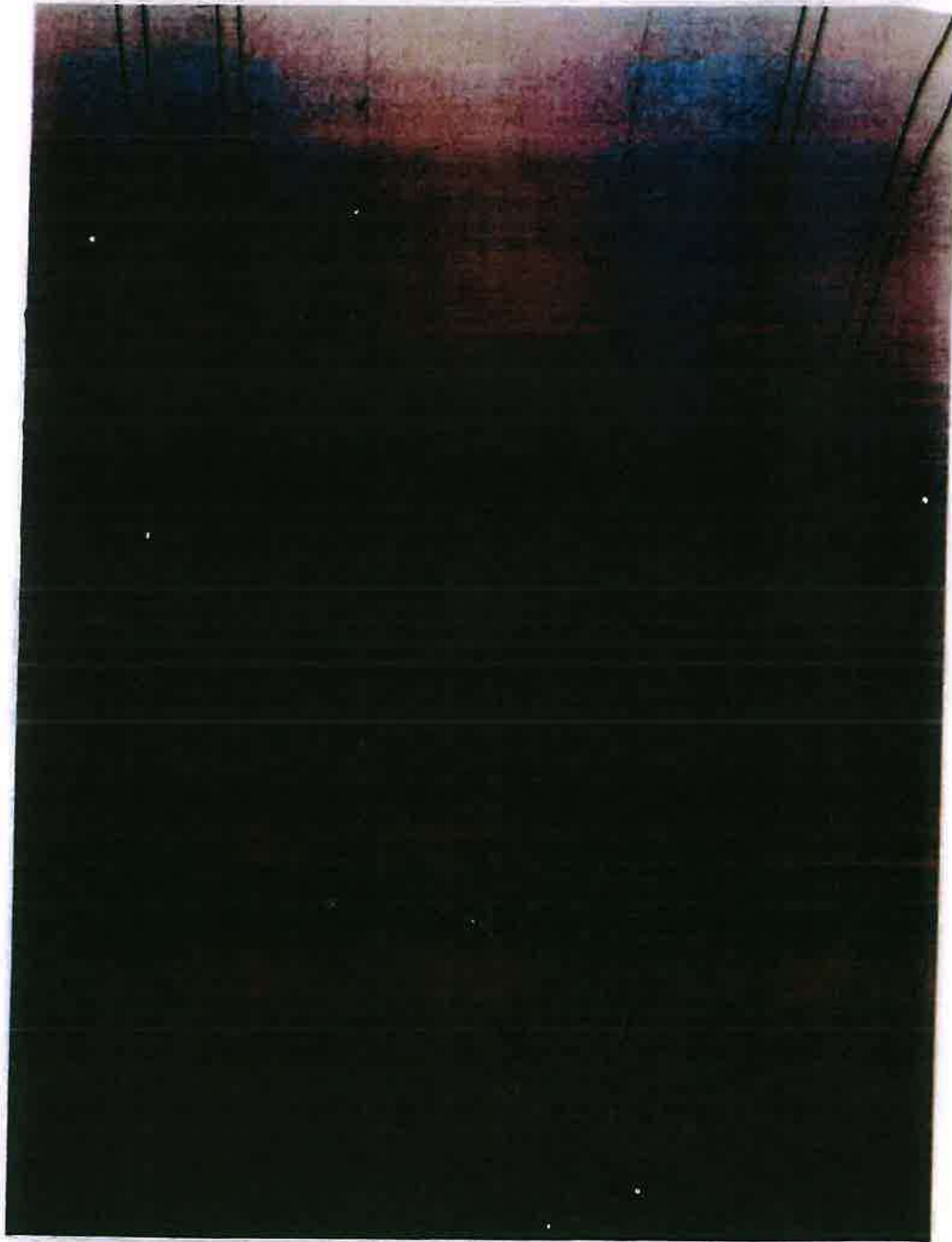
Regd. Office: 94, Pocket-4, Sector-11, Dwarka, New Delhi-110075

NRSS XXXVI TRANSMISSION LIMITED

Registered Office: 94, Pocket-4, Sector-11, Dwarka, New Delhi - 110075

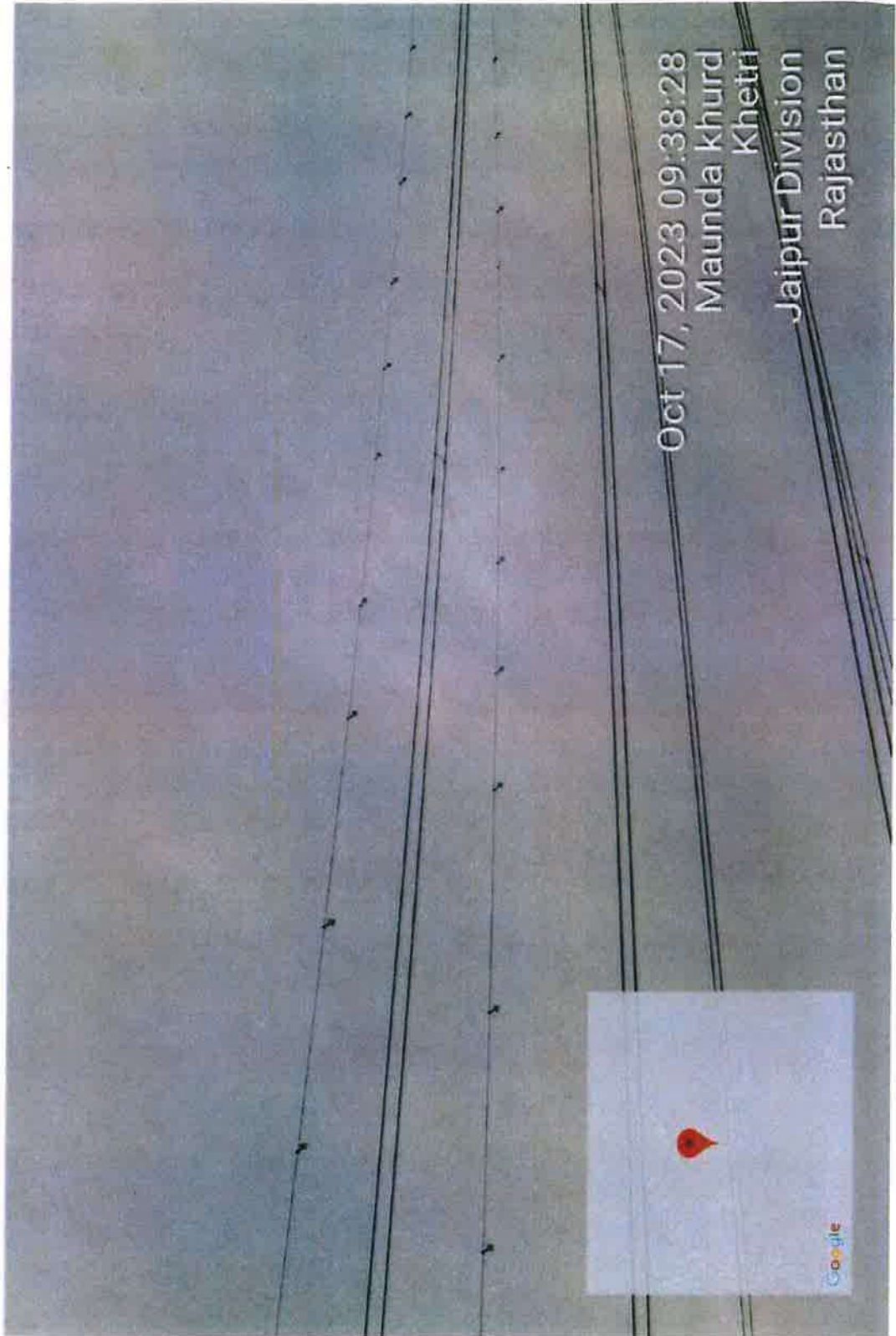
Corporate Office: Shatabdi Bhawan, B 12 & 13, Sector 4, Noida, Uttar Pradesh - 201301

CIN: U40300DL2015PLC284168 • Tel: +91-7042053497 / +022- 6717-2869 • Email ID: sect.nrss@gmail.com



Regd. Office: 94, Pocket-4, Sector-11, Dwarka, New Delhi-110075

ANNEXURE- 4



Oct 17, 2023 09:38:28

Maunda khurd

Khetri

Jaipur Division

Rajasthan

Google

Oct 17, 2023 09:38:35

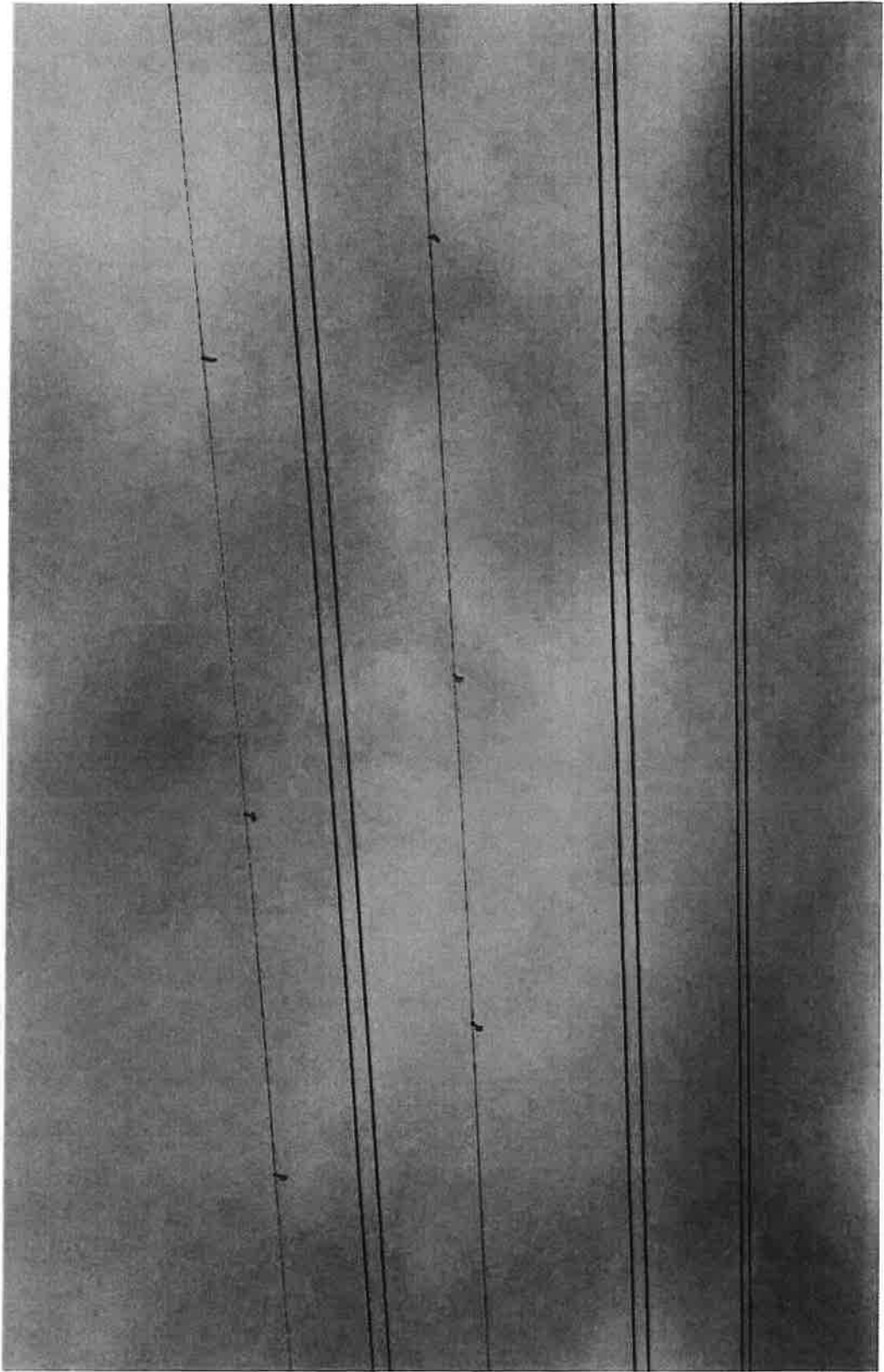
Maunda khurd

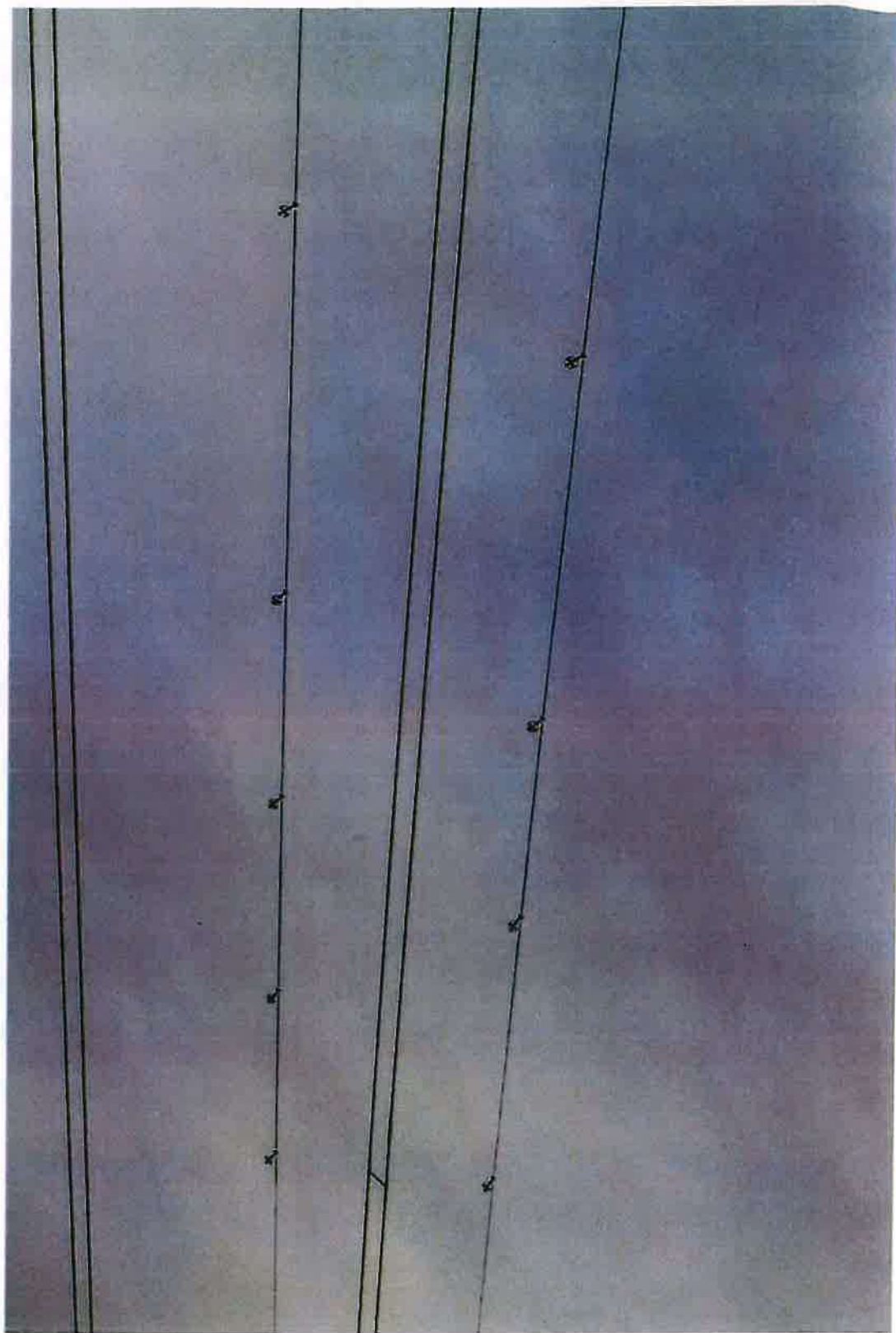
Khetri

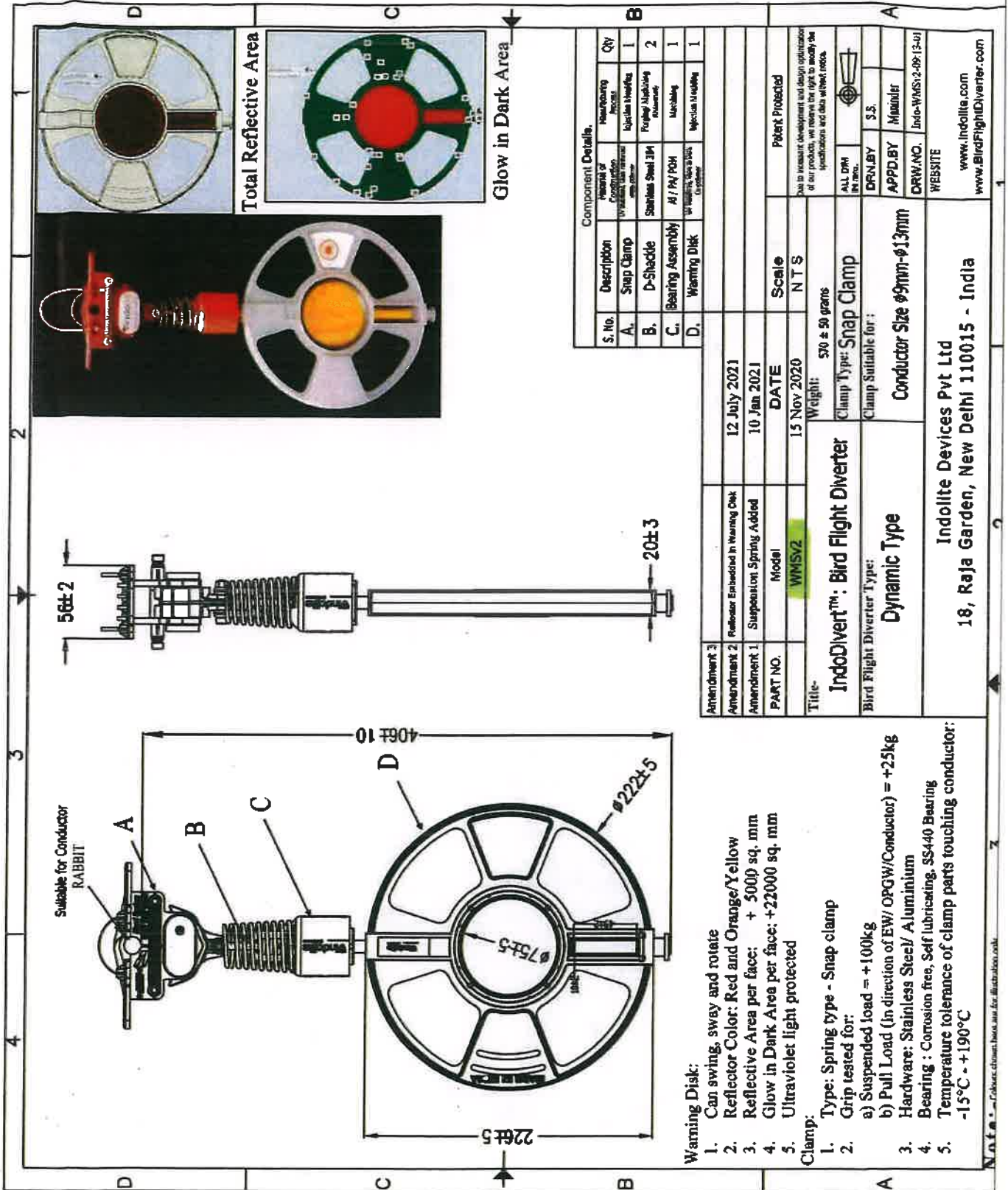
Jaipur Division

Rajasthan









Suitable for Conductor RABBIT

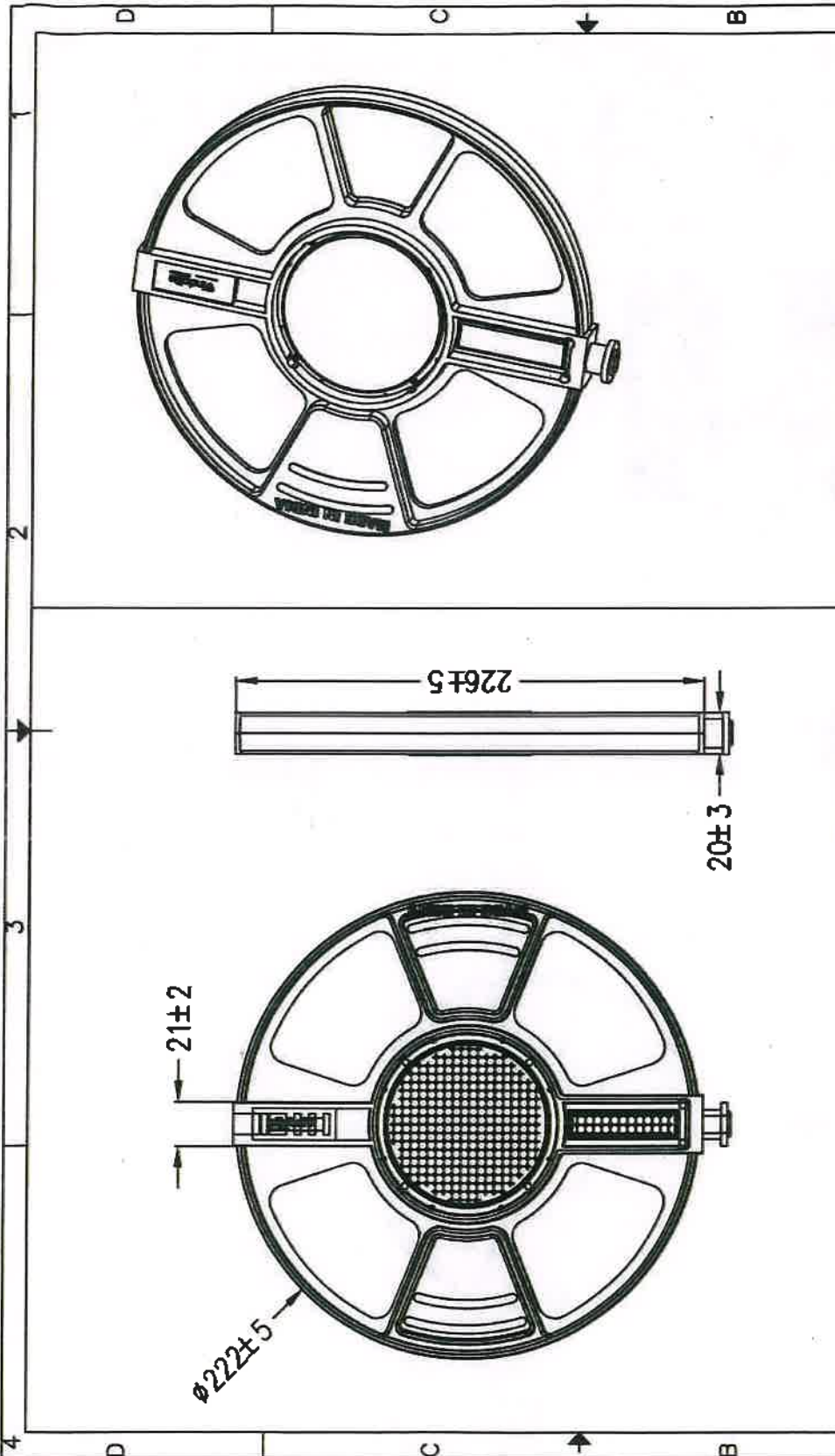
Warning Disk:

1. Can swing, sway and rotate
 2. Reflector Color: Red and Orange/Yellow
 3. Reflective Area per face: + 5000 sq. mm
 4. Glow in Dark Area per face: +22000 sq. mm
 5. Ultraviolet light protected
- Clamp:**
1. Type: Spring type - Snap clamp
 2. Grip tested for:
 - a) Suspended load = +100kg
 - b) Pull Load (In direction of EW/OPGW/Conductor) = +25kg
 3. Hardware: Stainless Steel/ Aluminium
 4. Bearing : Corosion free, Self lubricating, SS440 Bearing
 5. Temperature tolerance of clamp parts touching conductor: -15°C - +190°C

Component Details.			
S. No.	Description	Material of Construction	Quantity
A.	Snap Clamp	Injection Moulding	1
B.	D-Sheild	Polylay/Aluminium	2
C.	Bearing Assembly	Al / PAI / PPH	1
D.	Warning Disk	Injection Moulding	1

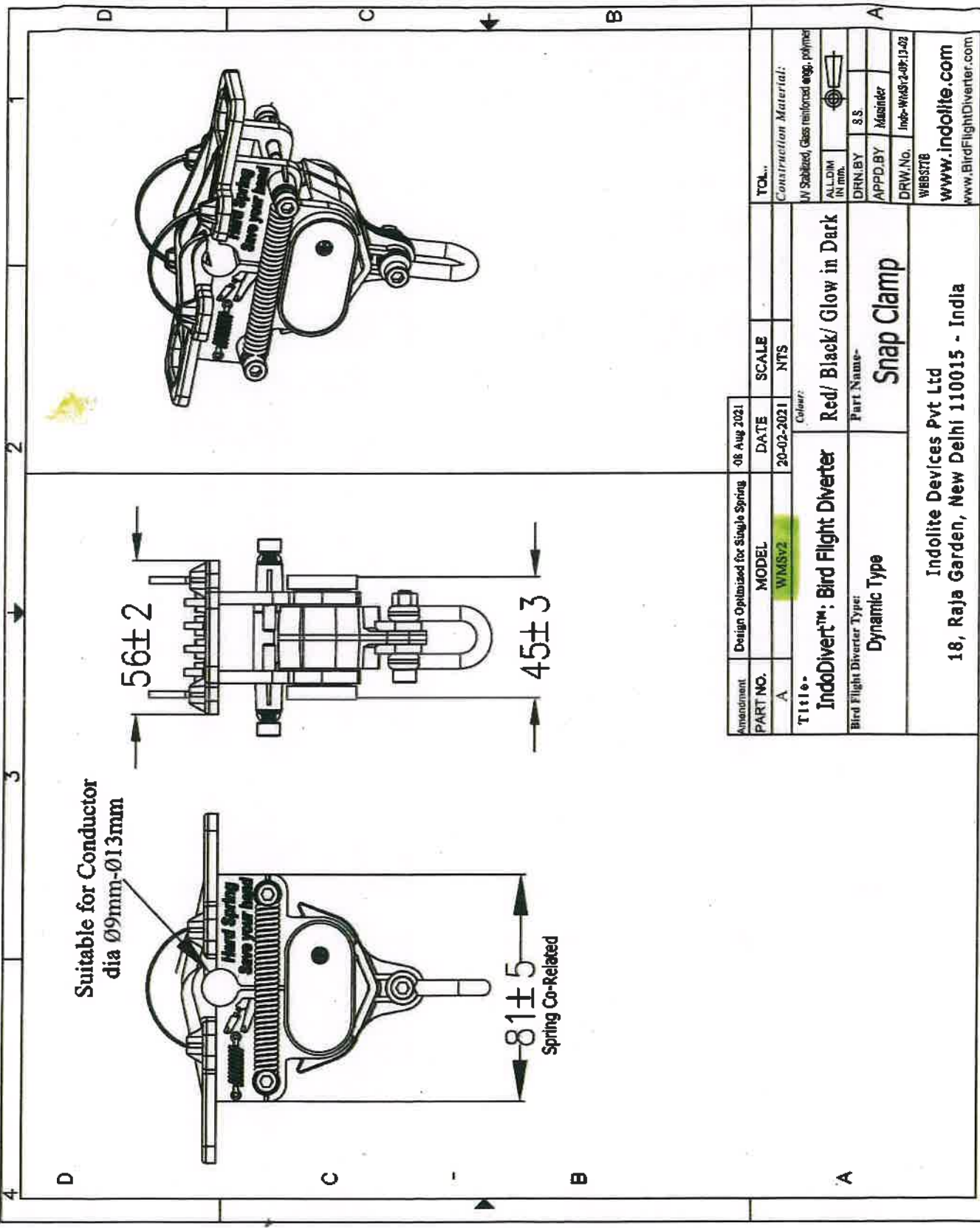
Amendment 3	Reflector Embedded in Warning Disk	12 July 2021
Amendment 2	Suspension Spring Added	10 Jan 2021
Amendment 1	Model	
PART NO.	WMSV2	15 Nov 2020
Title:	Indolite™: Bird Flight Diverter	Scale: N T S
	Bird Flight Diverter Type:	Weight: 570 ± 50 grams
	Dynamic Type	Clamp Type: Snap Clamp
	Conductor Size 9mm-13mm	Clamp Suitable for:
	Indolite Devices Pvt Ltd	DRN.BY S.S.
	18, Raja Garden, New Delhi 110015 - India	APPD.BY Maulder
		DRW.NO. Inde-WMSV2-091 (3-0)
		WEBSITE
		www.Indolite.com
		www.BirdFlightDiverter.com

Note: - Fabricator should bear the cost of illustration.



Amendment 2	Reflector Embedded in Warning Disk	12 July 2021	TOL...
Amendment 1	Wall thickness of Disk mentioned	01-June-2021	Construction Material:
PART NO.	MODEL	DATE	SCALE
D	WMSv2	20-02-2021	NTS
Title-		Color:	
IndoDiverter™: Bird Flight Diverter		Glow in Dark	
Bird Flight Diverter Type:		Part Name-	
Dynamic Type		Warning Disk (WMS v2)	
Indolite Devices Pvt Ltd		18, Raja Garder, New Delhi 110015 - India	
www.Indolite.com		www.BirdFlightDiverter.com	

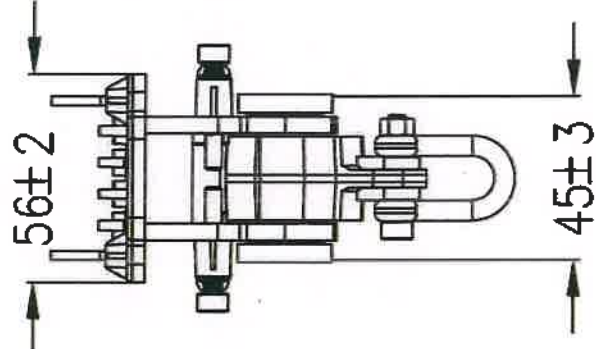
BY	DRN.BY	APPD.BY	DRW.No.	WEBSITE
U/S Staffed, Glow in Dark Co-Proprietor	S.Singh	Maminder	Indo-WMS/2-09-18-05	
ALL DIM IN mm.				



Suitable for Conductor
dia Ø9mm-Ø13mm

Hard Spring
Save your head

81±5
Spring Co-Related



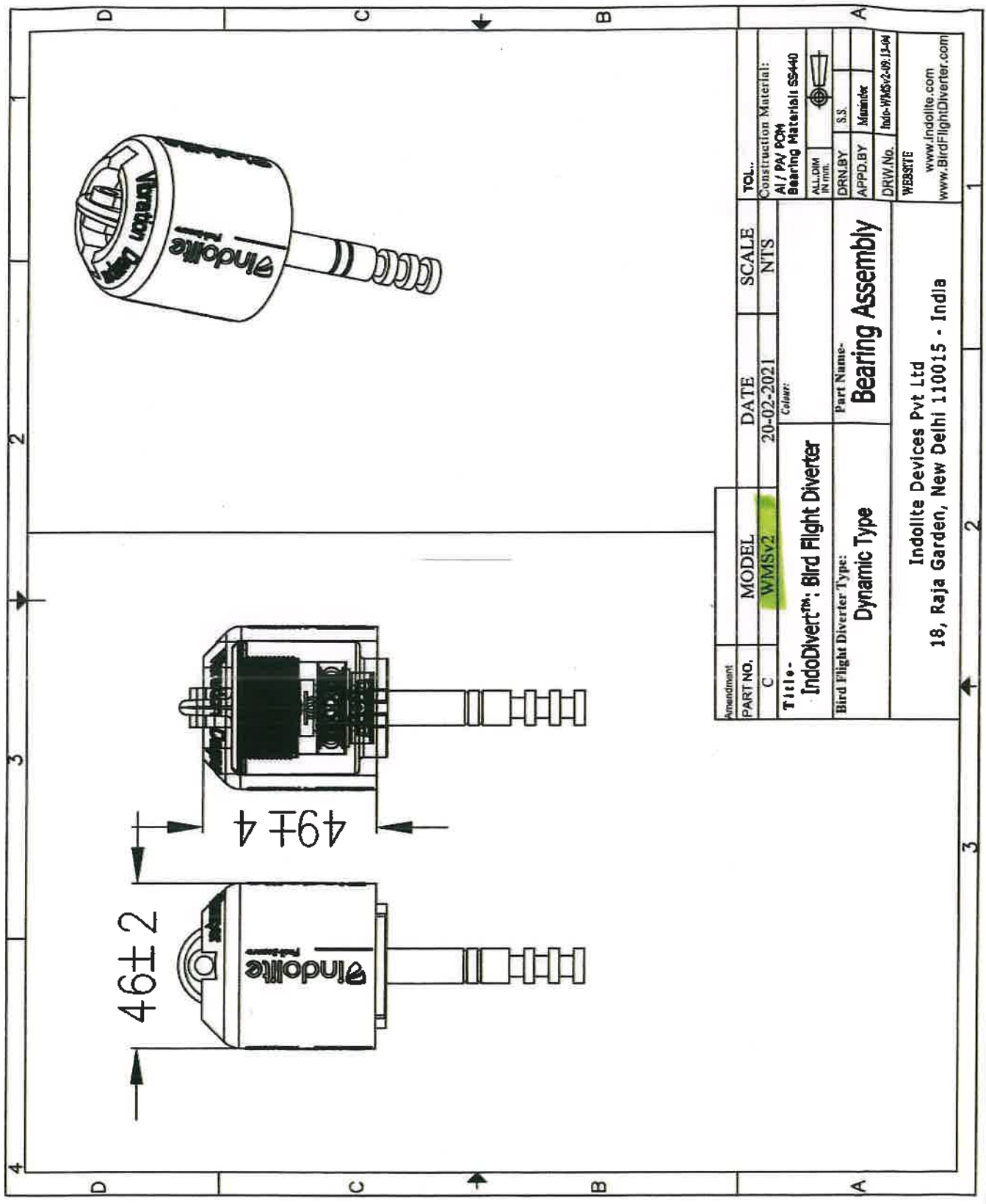
Amendment	Design Optimized for Single Spring	08 Aug 2021			
PART NO.	MODEL	DATE	SCALE		
A	WMSV2	20-02-2021	NTS		
Title:		Colour:			
IndoDiverter™; Bird Flight Diverter		Red/ Black/ Glow in Dark			
Bird Flight Diverter Type:		Part Name-			
Dynamic Type		Snap Clamp			
		WEBSTB			
		www.Indolite.com			
		www.BirdFlightDiverter.com			

TOL.	Construction Material:
	UV Stabilized, Glass reinforced engg. polymer
ALL DIM IN mm.	
DRN.BY	SS
APPD.BY	Masinder
DRW.No.	Indo-WMSV2-08-13-02

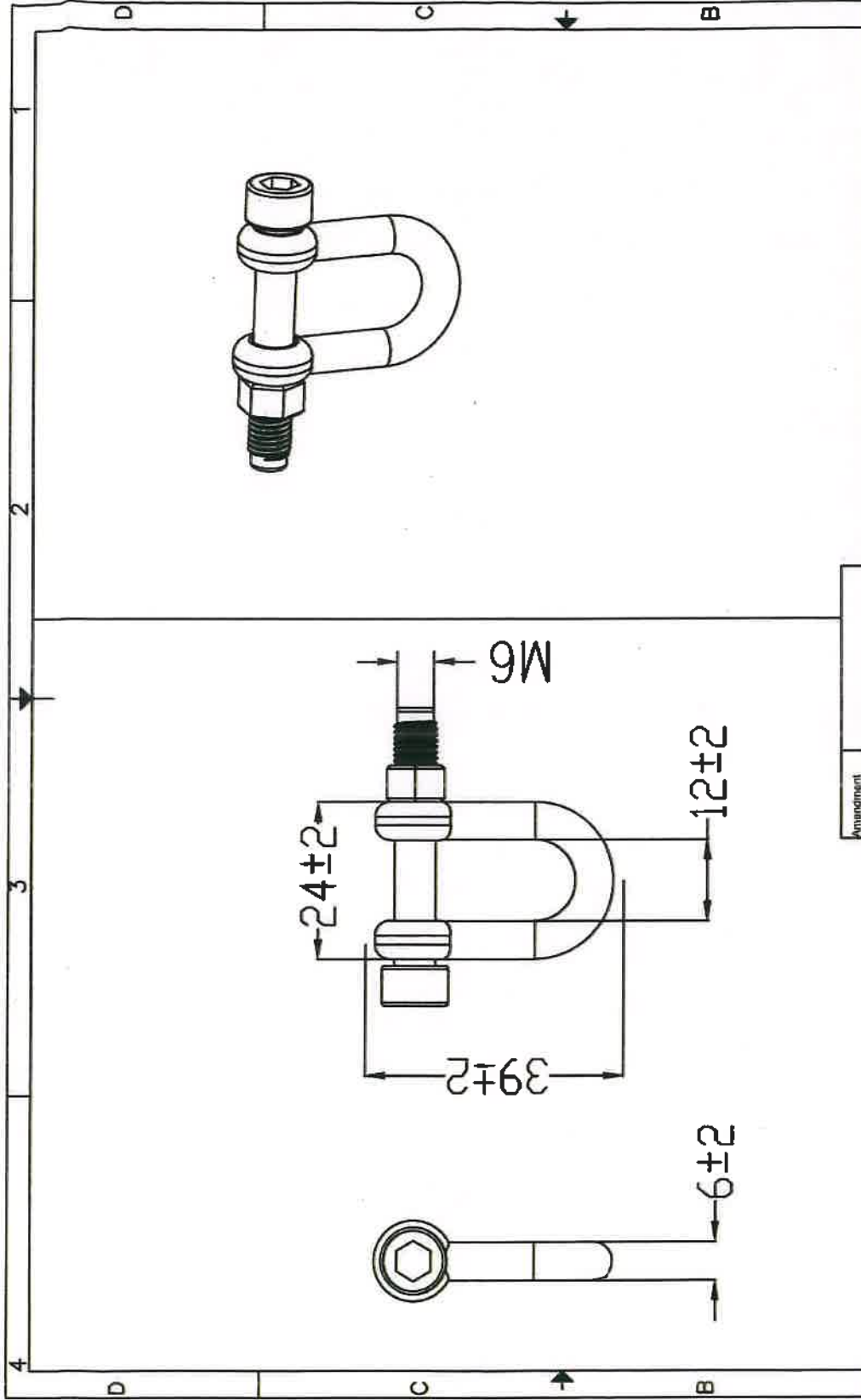
4 3 2 1

D C B A

2 2 3 3



Amendment	MODEL	DATE	SCALE	TOL.
PART NO. C	WMSV2	20-02-2021	NTS	Construction Material: Al / PA / POM Bearing Material: SS440
Title- IndoDiverter™: Bird Flight Diverter		Colour:		ALLOW IN mm.
Bird Flight Diverter Type: Dynamic Type		Part Name- Bearing Assembly		DRN.BY S.S. APPD.BY Mandeer DRW.No. Indo-WMSV2:08:13:04
Indolite Devices Pvt Ltd 18, Raja Garden, New Delhi 110015 - India		WEBSITE www.indolite.com www.BirdFlightDiverter.com		



Amendment	Model	DATE	Scale	TOL.
PART NO. B	WMSV2	20-02-2021	NTS	Construction Material: SS304
Title - IndoDiver™: Bird Flight Diverter		Colour: Steel		ALL DIM IN mm.
Bird Flight Diverter Type: Dynamic Type		Part Name: D-shackle		DRN.BY S.S.
Indolite Devices Pvt Ltd		18, Raja Garden, New Delhi 110015 - India		APPD.BY Maninder
				DRW.No. Indb-WMSV2-0P-13-02
				WEBSITE
				www.Indolite.com
				www.BirdFlightDiverter.com

General Technical Particulars for NON-LED Type Bird Flight Diverter

Sr. No.	Technical Particular	Unit	Details to be provided by Bidder
1	Name of OEM of bird flight diverter		Indolite Devices Private Limited
2	Proposed works for supply		NON-LED Type Bird Flight Diverter
3	Total height of bird diverter assembly from clamp center to end of the assembly (Total length)	mm.	As per Height of Bird Flight Diverter depend upon dia of Conductor & respective clamp for all conductors up to Moose size Total length of our Bird Flight Diverter below conductor connection point is less than 430mm;
4	Total weight of bird diverter assembly	Grams	Weight of our Bird Flight Diverter is less than 800gm
5	Shape & size of warning disc		Warning disk dia in case of round warning disk is 222± 5mm
6	Minimum reflective area on each face of warning disc	Sq. mm.	+5000 mm ²
7.	Slip strength of clamp	Kgs.	±25 Kg.
28	Clamp & Hardware Parameter		Design details are as follows: a) The clamp for holding conductor/OPGW/ earth wire is spring type and is made of UV stabilized engineered composite plastic (polymer), be suitable for live line installation by hot stick or drone. (b) All metal hardware used in Bird Flight Diverter including the bearing is made of corrosion-free material. (c) All plastic (polymer) parts are UV stabilized. (d) Clamp is suitable for gripping the conductor/OPGW/ earth wire strongly. Rubber/polyurethane lining s is used in the gripping area of clamp as per requirement of the conductor type. (e) Clamp Contact Area=85% (f) Clamp is free from sharp ends or edges, abrasions, projections, grit or materials, and shall not cause chafing or damage to the conductor/earth wire/OPGW, during fitting or during continued operation. (g) Parts of the clamp touching conductor are able to withstand temperature range from -15 C to +85 C for conventional conductors. In case of installation on HTLS conductor, the maximum operating temperature under emergency loading conditions shall be specified by the utility. (h) The clamp is able to bear pulling load of at least 50 kg and it is to be tested on Universal Testing Machine by a NABL accredited laboratory.

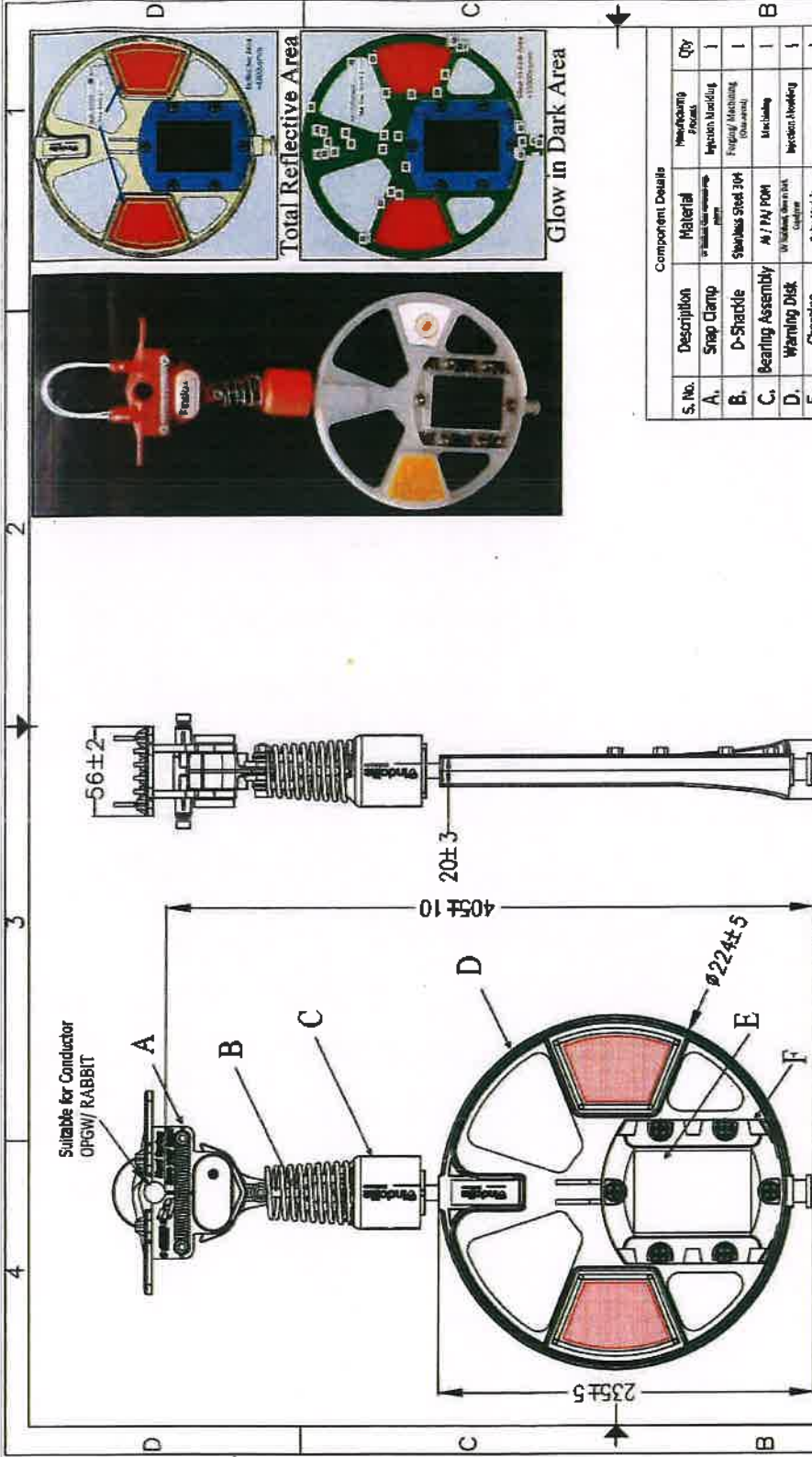
Solution for Co-existence with wildlife

9	Warning Disc type	Our warning disc has contrasting colored (combination of any two colours from Red, Yellow, Orange, or White) retroreflective surface with Sun and Moon light reflectors on both faces. Since, the warning disc is to be designed to rotate, the colour change, while revolving, shall provide significant forewarning.
10	Performance	Performance Certificate attached along with Annexure-4 and work orders attached as per Annexure-1
11	Service life	Bird Flight Diverter (BFD) is designed for expected service life of at least 15 years
12	Installation feasibility	BFD is suitable for installation on live line Installation shall be done as per instructions of transmission line owner/as per CEA guideline
13	Type of Disc	Circular Disk Dia of IndoDiverter Bird flight diverter offers herein is 222±5mm
14	Movement	(I) Bird Flight Diverter is resistant to all weather conditions. (II) Bird Flight Diverter is aerodynamically stable so that diverter faces minimum amount of drag force which provide swing and rotation effect under medium/strong wind speed
15	Weather effect	(i) Bird Flight Diverter is suitable for efficient working and shall retain good physical Characteristics under all weather conditions. (ii) Bird Flight Diverter resistant to all weather conditions.
16	Type of Material	Warning Disk is made of UV stabilized plastic. The bearing is made of stainless steel and free spins in minimum wind speed of 2 km/hour.
17	Total Surface area	It has diameter of 222±5mm Total Surface Area= +38500 mm ²
18	Thickness	Its thickness is 20mm at rim
19	Area of glow in dark	Glow in Dark area above 22000 mm ²
20	Packing & forwarding modality	Road Transit worthy, eco-friendly, Packing used.
21	Warranty Period	We offer 5 years warranty on our Bird Flight Diverter


Feel Secure
For INDOLITE DEVICES PVT.LTD.

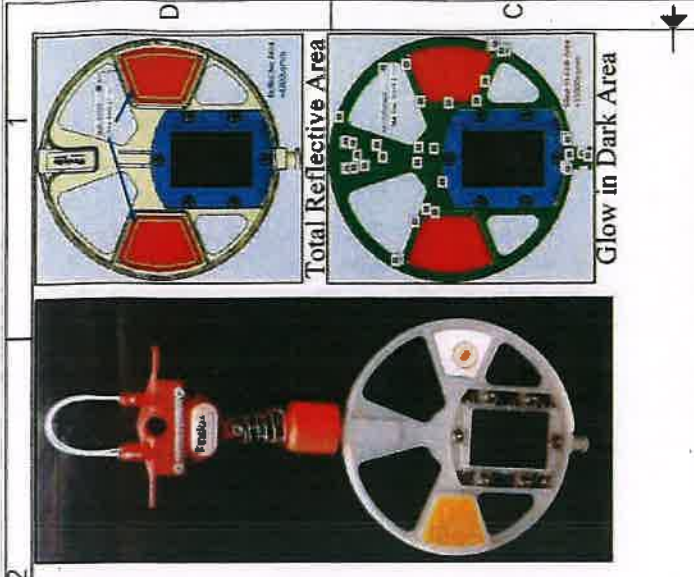

MANINDERJIT SINGH
Director

An ISO 9001-2015, ISO 14001-2015, RoHS, OHSAS 18001:2015 & "CE" certified company
Registered with Govt. of India under MSME Act 2006. Udyog Aadhar no. DL08A0001076



- Warning Disk:**
1. Can swing, sway and rotate
 2. Reflector Color: Red and Orange/Yellow
 3. Reflective Area per face: + 4300 sq. mm
 4. Glow in Dark Area per face: +15000 sq. mm
 5. Ultraviolet light protected
 6. Flashing LEDs visible on both faces of warning disk
 7. Auto ON/OFF : Brightness activated
 8. Works for 100hrs after one full charge
 9. Visible from 500mtrs
 10. Solar Powered
- Clamp:**
1. Type: Spring type - Snap clamp
 2. Grip tested for:
 - a) Suspended load = +100kg
 - b) Pull Load (In direction of EW/OPGW/Conductor) = +25kg
 3. Hardware: Stainless Steel/ Aluminium
 4. Bearing : Corrosion free, Self lubricating, SS440 Bearing
 5. Temperature tolerance of clamp parts touching conductor: -15°C - +190°C

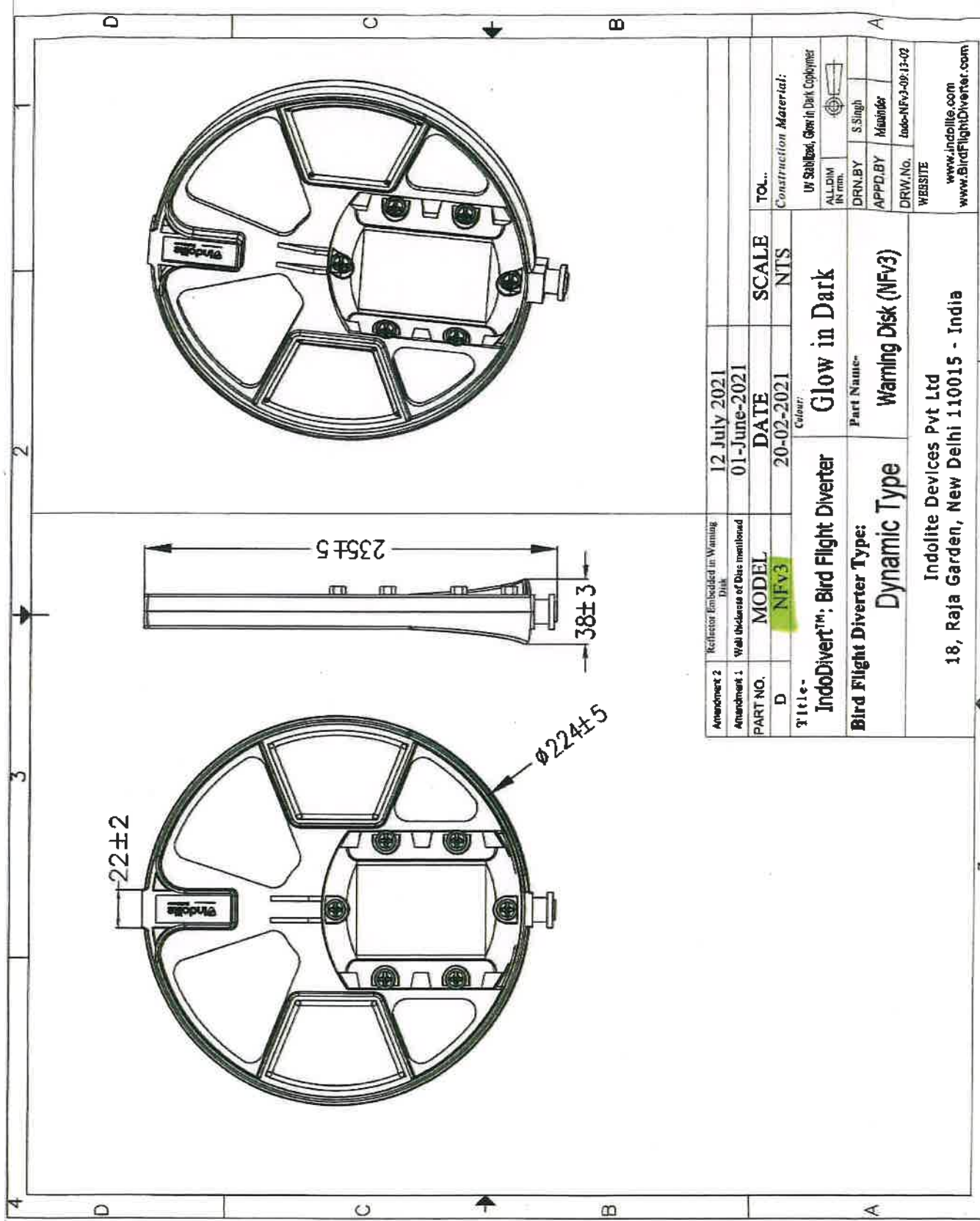
Note: - Colours shown here are for illustration only.



Component Details			
S. No.	Description	Material	Quantity
A.	Snap Clamp	Injection Moulding	1
B.	D-Struckle	Forged/ Machining	1
C.	Bearing Assembly	M / PAI POM	1
D.	Warning Disk	UV Resistant, Glow in Dark, Conductive	1
E.	Charging	Solar Module	1
F.	Battery	Lithium Ion	1

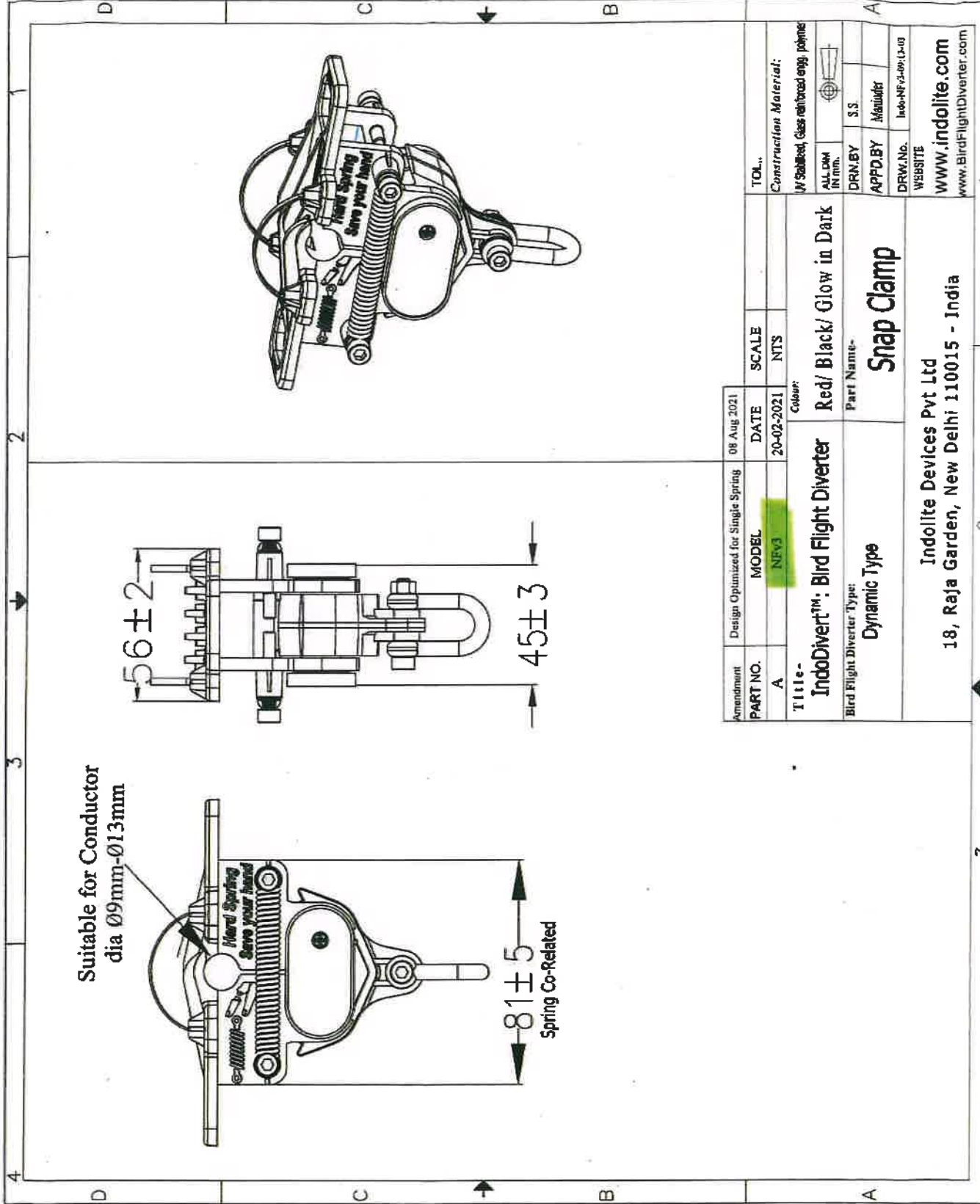
Amendment 3	Ballcock Assembled in Warning Disk	12 July 2021	Scale	NTS	Patent Protected
Amendment 2	Suspension Spring Added	10 Jan 2021	Weight:	710 ± 50 grams	
Amendment 1	Model	DATE	Clamp Type:	Snap Clamp	Due to In-house development and design optimization of our products, we reserve the right to modify the specifications and data without notice.
PART NO.	NFV3	15 Nov 2020	Clamp Suitable for :	Conductor Size 9mm-13mm	
Title:		IndoDiverter™: Bird Flight Diverter		ALL DIM IN mm.	
Bird Flight Diverter Type:		Dynamic Type		DRNBY	S.S.
IndoDiverter™: Bird Flight Diverter		Conductor Size 9mm-13mm		APPROD.BY	Manufacturer
Bird Flight Diverter Type:		Dynamic Type		DRW.No.	Indo-NF-V3-09-13-01
IndoDiverter™: Bird Flight Diverter		Conductor Size 9mm-13mm		WEBSITE	www.IndoDiverter.com
IndoDiverter™: Bird Flight Diverter		Conductor Size 9mm-13mm		www.IndoDiverter.com	
IndoDiverter™: Bird Flight Diverter		Conductor Size 9mm-13mm		www.IndoDiverter.com	

IndoDiverter™: Bird Flight Diverter
 18, Raja Garden, New Delhi 110015 - India

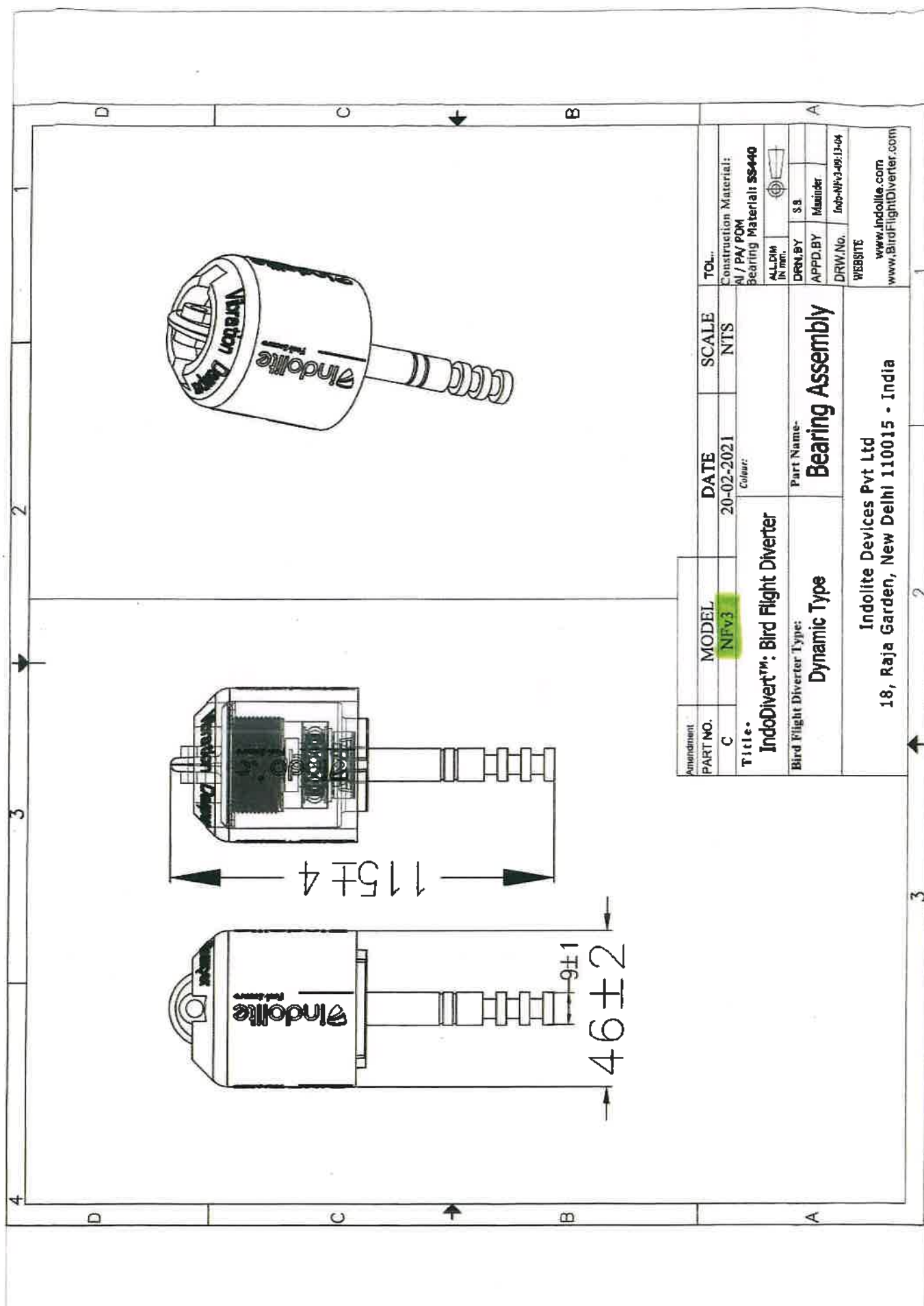


Amendment 2	Reflector Embedded in Warning Disk	12 July 2021	TOL..
Amendment 1	Wall Thickness of Disk mentioned	01-June-2021	Construction Material:
PART NO.	MODEL	DATE	SCALE
D	NFV3	20-02-2021	NTS
Title:		Colour:	
IndoDiverter™, Bird Flight Diverter		Glow in Dark	
Bird Flight Diverter Type:		Part Name-	
Dynamic Type		Warning Disk (NFV3)	
Indolite Devices Pvt Ltd			
18, Raja Garden, New Delhi 110015 - India			
		www.indolite.com	
		www.BirdFlightDiverter.com	

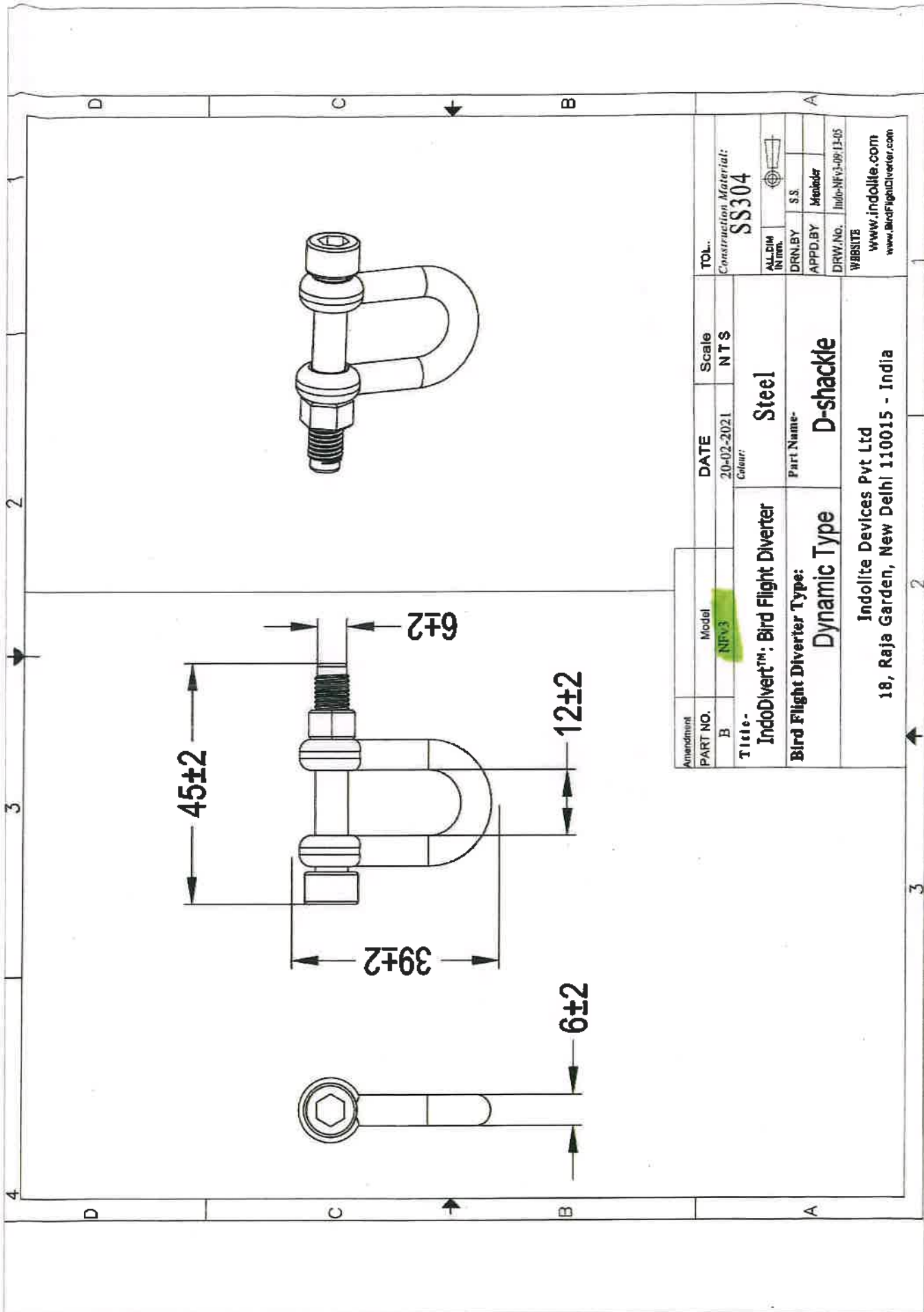
UV Stable, Glow in Dark Copolymer
 ALL DIM IN mm.
 DRN.BY S.Singh
 APPD.BY Maninder
 DRW.No. Indo-NFV3-09.13-02
 WEBSITE



Amendment	Design Optimized for Single Spring	08 Aug 2021	TOL.
PART NO.	MODEL	DATE	SCALE
A	NEW3	20-02-2021	NTS
Title-			Construction Material:
IndoDiverter™: Bird Flight Diverter			W/ Stalited, Gas reinforced eng. polymer
Bird Flight Diverter Type:			ALL DIM IN mm.
Dynamic Type			DRN.BY S.S
Snap Clamp			APPD.BY Mauldifer
Part Name-			DRW.NG. Indo-NF-2-0013-03
Indolite Devices Pvt Ltd			WEBSITE
18, Raja Garden, New Delhi 110015 - India			WWW.indolite.com
			WWW.BirdFlightDiverter.com



Amendment	MODEL	DATE	SCALE	TOL.
PART NO. C	NFV3	20-02-2021	NTS	Al / PA / POM
Title		Colour:		Construction Material:
IndoDiver™: Bird Flight Diverter				Bearing Material: SS-440
Bird Flight Diverter Type:		Part Name:		ALL DIM IN mm.
Dynamic Type		Bearing Assembly		DRN.BY S B
		18, Raja Garden, New Delhi 110015 - India		APPD.BY Maunier
		Indolite Devices Pvt Ltd		DRW.No. Indp-NFV3-05.13-04
		www.Indolite.com		WEBSITE
		www.BirdFlightDiverter.com		



Amendment	Model	DATE	Scale	TOL.
PART NO. B	NFV3	20-02-2021	NTS	Construction Material: SS304
Title- IndoDiver™: Bird Flight Diverter		Colour:	Steel	ALL DIM IN mm
Bird Flight Diverter Type: Dynamic Type		Part Name-	D-shackle	DRN.BY S.S
				APPD.BY Member
				DRW.NO. Ind-DNFV3-09-13-05
				WEBSITE
				www.indolite.com
				www.BirdFlightDiverter.com

Indolite Devices Pvt Ltd
 18, Raja Garden, New Delhi 110015 - India

General Technical Particulars for LED Type Bird Flight Diverter

Sr. No.	Technical Particular	Unit	Details to be provided by Bidder
1	Name of OEM of bird flight diverter		Indolite Devices Pvt Ltd
2	Proposed works for supply		Bird Flight Diverter with LED
3	Total height of bird diverter assembly from clamp center to end of assembly (Total length)	mm.	405 ± 10mm
4	Total weight of bird diverter assembly	Grams	710 gm ± 50gms
5	Shape & size of warning disc		Warning Disk: Circular Diameter 224mm ± 5mm
6	Minimum reflective area on each face of warning disc	Sq. mm.	+4300 sq mm
7	Slip strength of clamp	Kgs.	Test passed @ 25 kg (pull test towards direction of conductor) & 100 kg suspended load
8	Clamp & Hardware Parameter		Non-Conductive clamp. All hardware is non-corrosive
9	Warning Disc type		Round, attached to clamp with rotary mechanism
10	Performance		All tests passed as per Technical Specifications
11	Service life		Expected service life = 15 years
12	Installation feasibility		Can also be installed on live line using a drone, hot stick etc
13	Type of Disc		Round Disk – Glows in Dark
14	Movement		Can Swing Sway & Rotate
15	Weather effect		Passed Salt and dust test
16	Type of Material		UV Stabilized polymer
17	Total Surface area		+38,000 sq mm including air vents
18	Thickness		+4mm with 20mm thick reinforcement at collar
19	Area of glow in dark		+15000 sq mm
20	Packing & forwarding modality		Eco-Friendly packing used.
21	Warranty Period		66 months from supply or 60 months from installation – whichever is earlier

Solution for Co-existence with wildlife

ANNEXURE-6

File No. CEA-PS-14-75/2/2022-PSETD Division/634



75
आजादी का
अमृत महोत्सव

भारत सरकार
Government of India
विद्युत मंत्रालय
Ministry of Power
केन्द्रीय विद्युत प्राधिकरण
Central Electricity Authority
विद्युत प्रणाली अभियांत्रिकी एवं प्रौद्योगिकी विकास प्रभाग
Power System Engineering & Technology Development Division
3rd Floor, Sewa Bhawan, R.K. Puram
New Delhi - 66, Telefax: 26170541 Telephone: 26732358

To,
M/S Indolite Device Pvt. Ltd.
Admin. Office, 18, Raja Garden,
New Delhi - 110015 (India)
Email : sales@indolite.com

विषय/Subject: Request for kind consideration to approve "Indolite Bird Flight Diverters" as per Technical Specification issued by CEA.

Dear Sir,

Please refer your letter no. INDO/MS/10/2022/1160 dated 03.10.2022 on the subject matter seeking approval of "Indolite Bird Flight Diverter (model no. WMSv2-non LED type and model no. NFv3-LED Type)" as per Technical Specification of Bird Flight Diverter issued by Supreme Court Appointed Committee in consultation with Central Electricity Authority (CEA) under reference to Hon'ble Supreme Court of India directive to make available a sustainable quality product and circulated by CEA's letter No. CEA-PS-14-75/2/2022-PSETD Division /274-338 dated 16.6.2022 and product demonstrated.

M/S Indolite Device Pvt. Ltd. letter dated 3rd October, 2022 along with test reports has been examined and are generally in order as per the requirement of the Technical Specification of Bird Flight Diverter issued by


File No. CEA-PS-14-75/2022-PSETD Division

Supreme Court Appointed Committee in consultation with Central Electricity Authority (CEA). This is important to safe guard birds against collision and electrocution with transmission lines and it is the responsibility of the transmission line developers to ensure compliance to this statutory requirement as per technical specification of Bird Flight Diverters.

Central Electricity Authority appreciates M/s Indolite Device Pvt. Ltd. efforts in designing, developing and manufacturing a quality product under Make in India initiative as per Technical Specifications.

Thanking you

भवदीय/ Regards


10/10/2022
(भंवर सिंह मीना /Bhanwar Singh Meena)
उपनिदेशक/Deputy Director

NRSS XXXVI TRANSMISSION LIMITED

Registered Office: 94, Pocket-4, Sector-11, Dwarka, New Delhi - 110075

Corporate Office: Shatabdi Bhawan, B 12 & 13, Sector 4, Noida, Uttar Pradesh - 201301

CIN: U40300DL2015PLC284168 • Tel.: +91-7042053497 / +022- 6717-2869 • Email ID: sect.nrss@gmail.com

NRSS/2023-24/DFO/25

Dated: 10.08.2023

To,

The Divisional Forest officer,
Jhunjhunu, Rajasthan.

Subject: Diversion of 13.015 Ha of Forest Land in favor of NRSS XXXVI Transmission Limited, for the construction of 400KV D/C Babai (RRPVNL) to Bhiwani (PGCIL) Transmission line in Jhunjhunu forest division, Rajasthan-Submission of Stage-I complie (proposal SEZ part-D) (Proposal no. FP/RJ/TRANS/28622/2017)

Reference:

1. Our office letter no. NRSS/2023-24/DFO/10 dated 07.06.2023
2. Your good office letter no. F () FCA/ उकसंडु/ 2023-24/ 3884 dated 18.05.2023
3. Letter no. F 14 (Trans) 2017 / FCA / प्रमुवस/ 5501 dated 04.04.2023 from the office of Additional Principal Chief Conservator of Forest, Jaipur, Rajasthan

Dear Sir,

This has reference to letter no. F 14 (Trans) 2017 / FCA / प्रमुवस/ 5501 dated 18.05.2023. from your good office mentioned above. We had submitted an undertaking for installation of the bird flight diverters on 400KV Babai- Bhiwani Transmission line in Khetri-Baniyal Forest area vide our letter no. NRSS/2023-24/DFO/10 dated 07.06.2023

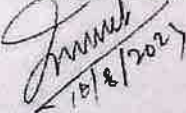
In this context, we would like to inform you that we have completed the installation of the bird flight diverters between location no. AP-3/4 to AP-3/7 and between locations AP-12/0 to AP-16/0 in the Khetri-Baniyal Forest area of Rajasthan (pictures enclosed as Annexure). These bird diverters installed comply to the norms specified by Government of India, Ministry of New & Renewable Energy vide letter no. F. No.283/ 26/ 2021-GRID-SOLAR (v)

In view of the above, we request you to kindly issue the Stage 2 forest clearance for 400 kV Babai Bhiwnai D/C Transmission Line in Rajasthan.

Thanking you,

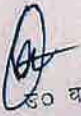
Yours' Faithfully,

For NRSS XXXVI Transmission Limited


18/8/2023

T Muraleedharan
CEO

Received
11/8/23


उ० व० सं०
भुजुनु

Regd. Office: 94, Pocket-4, Sector-11, Dwarka, New Delhi-110075

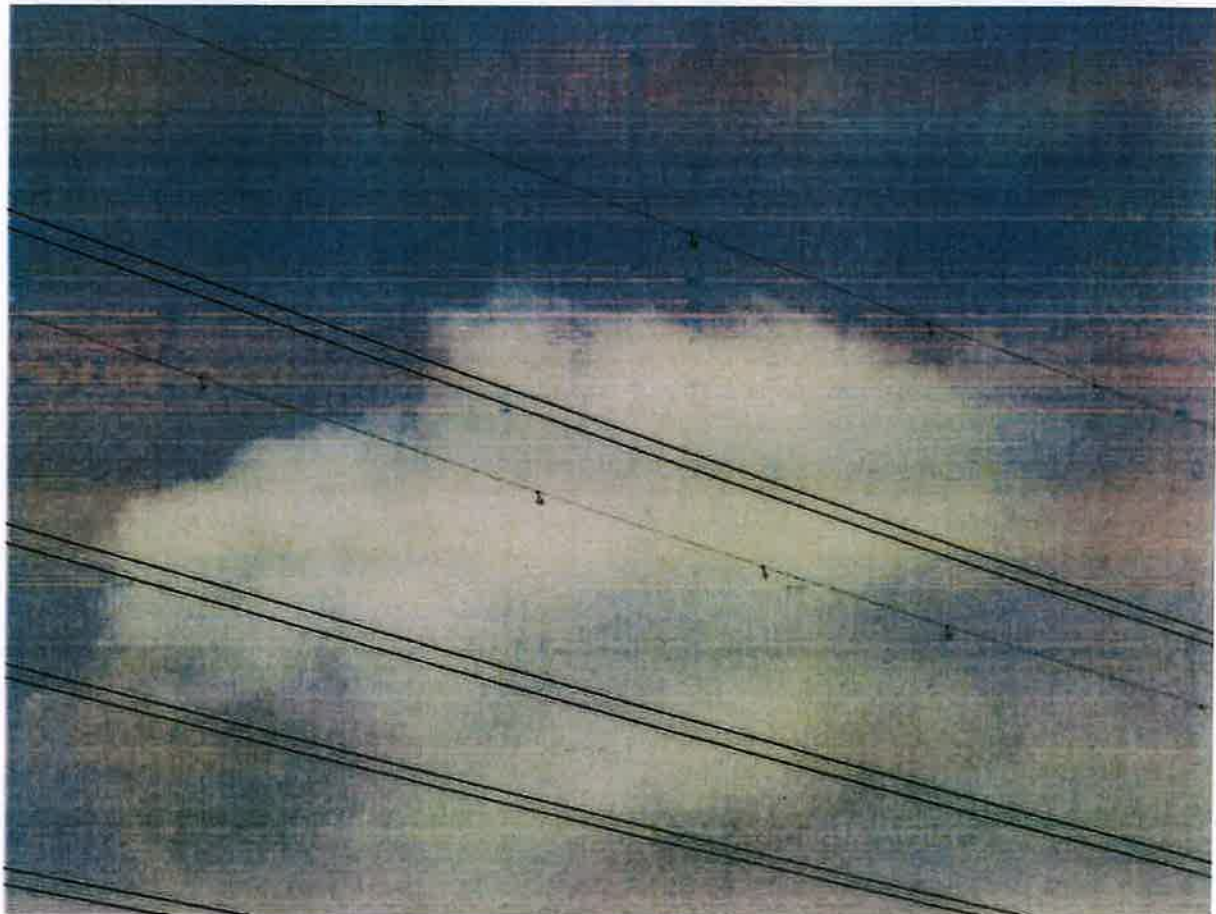
NRSS XXXVI TRANSMISSION LIMITED

Registered Office: 94, Pocket-4, Sector-11, Dwarka, New Delhi - 110075

Corporate Office: Shatabdi Bhawan, B 12 & 13, Sector 4, Noida, Uttar Pradesh - 201301

CIN: U40300DL2013PLC284168 • Tel.: +91-7042053497 / +022- 6717-2869 • Email ID: sect.nrss@gmail.com

Annexure 1



NRSS XXXVI TRANSMISSION LIMITED

Registered Office: 94, Pocket-4, Sector-11, Dwarka, New Delhi - 110075

Corporate Office: Shatabdi Bhawan, B 12 & 13, Sector 4, Noida, Uttar Pradesh - 201301

CIN: U40300DL2015PLC284168 • Tel.: +91-7042053497 / +022- 6717-2869 • Email ID: sect.nrss@gmail.com



NRSS XXXVI TRANSMISSION LIMITED

File

Registered Office: 94, Pocket-4, Sector-11, Dwarka, New Delhi - 110075

Corporate Office: Shatabdi Bhawan, B 12 & 13, Sector 4, Noida, Uttar Pradesh - 201301

CIN: U40300DL2015PLC284168 • Tel.: +91-7042053497 / +022- 6717-2869 • Email ID: sect.nrss@gmail.com

NRSS/2023-24/DFO Jhunjhunu/13

Dated: 08.06.2023

To,

The Divisional Forest Officer,
Jhunjhunu, Rajasthan.

Subject: Diversion of 13.015 Ha of Forest Land in favor of NRSS XXXVI Transmission Limited, for the construction of 400KV D/C Babai (RRPVNL) to Bhiwani (PGCIL) Transmission line in Jhunjhunu forest division, Rajasthan-Submission of Stage-I complice (proposal SEZ part-D) (Proposal no. FP/RJ/TRANS/28622/2017).

Reference: Your Office letter no. F () FCA / उवसंझु/ 2023-24/4133 dated 24.05.2023.

Dear Sir,

With reference to the above subject, we wish to inform you that we have deposited the difference 5% of the proportionate cost in Conservation Reserve Area amounting Rs.93,516/- (Rupees Ninety Three Thousand Five Hundred Sixteen Only) as demanded vide your office letter F () FCA / उवसंझु/ 2023-24/4133 dated 24.05.2023 on account of revision of project cost to Rs.11644 Lakhs from the initial declared project cost of Rs.11000 Lakhs. The amount is deposited in favour of Rajasthan Protected Area Conservation Society A/C Number 61087162999 and receipt of the same is enclosed for reference.

Thanks and regards

T. Muraleedharan
CEO



Received
13/6/23

Enclosures:

1. Receipt of Payment confirmation dated 08.06.23.



Kotak Mahindra Bank

Date: 08 June 2023

To whomsoever it may concern

Sub: Payment confirmation

This is to confirm that, NRSS XXXVI TRANSMISSION LIMITED has made payment of Rs. 93,516/- (Rupees Ninety Three Thousand Five Hundred Sixteen Only) from current A/c no. 3146673671 to following beneficiary on 29-May-2023:

UTR No.- KKBK231498843342

Name of Beneficiary: RAJASTHAN PROTECTED AREA CONSERVATION SOCIETY

ACCOUNT NO: 61087162999

Bank Name: STATE BANK OF INDIA

IFSC Code: SBIN0031510

For Kotak Mahindra Bank



Kotak Mahindra Bank Ltd.

CIN: L65110MH1985PLC038137

27BK, 3rd Floor, Plot No. C-27

G-Block, Bandra Kurla Complex

(BK), Bandra (E), Mumbai - 400051
Maharashtra

T +91 22 61661350
www.kotak.com

Registered Office:

27 BK, C 27, G Block,

Bandra Kurla Complex,

Bandra (E), Mumbai 400051,
Maharashtra, India

NRSS XXXVI TRANSMISSION LIMITED

Registered Office: 94, Pocket-4, Sector-11, Dwarka, New Delhi - 110075

Corporate Office: Shatabdi Bhawan, B 12 & 13, Sector 4, Noida, Uttar Pradesh - 201301

CIN: U40300DL2015PLC284168 • Tel.: +91-7042053497 / +022- 6717-2869 • Email ID: sect.nrss@gmail.com

NRSS/2023-24/DFO/10

Dated: 07.06.2023

To,

The Divisional Forest officer,
Jhunjhunu, Rajasthan.

Subject: Diversion of 13.015 Ha of Forest Land in favor of NRSS XXXVI Transmission Limited, for the construction of 400KV D/C Babai (RRPVNL) to Bhiwani (PGCIL) Transmission line in Jhunjhunu forest division, Rajasthan-Submission of Stage-I complice (proposal SEZ part-D) (Proposal no. FP/RJ/TRANS/28622/2017)

Reference: Your good office letter no. F 14 (Trans) 2017 / FCA / प्रमुवस/ 5501 dated 18.05.2023.

Dear Sir,

This has reference to letter from your good office mentioned above.

In this context, we undertake to install the bird diverter as per the instructions of Government of India, Ministry of New & Renewable Energy vide letter no. F. No.283/ 26/ 2021-GRID-SOLAR (v) on 400KV Babai- Bhiwani Transmission line in Khetri-Baniyal Forest area. .

Thanking you,

Your's Faithfully,

For NRSS XXXVI Transmission Limited



T Muraleedharan
CEO



NRSS XXXVI TRANSMISSION LIMITED

Registered Office: 94, Pocket-4, Sector-11, Dwarka, New Delhi - 110075

Corporate Office: Shatabdi Bhawan, B 12 & 13, Sector 4, Noida, Uttar Pradesh - 201301

CIN: U40300DL2015PLC284168 • Tel.: +91-7042053497 / +022- 6717-2869 • Email ID: sect.nrss@gmail.com

NRSS/2023-24/DFO Jhunjhunu/05

Dated: 16.05.2023

To,

The Divisional Forest Officer,
Jhunjunu, Rajasthan.

Subject: Regarding Approval of Wildlife Clearance from Chief Wild Life Warden Rajasthan w.r.t construction of Babai (RRVNL) to Bhiwani (PGCIL) 400 KV D/C Transmission Line in Jhunjhunu Forest Division Rajasthan vide FP/RJ/TRANS/28622/2017.

Reference: Your good office letter no. F () FCA / उवसंझु/ 2022-23/ 2799 dated 29.03.2023

Dear Sir,

With reference to the above subject, we wish to inform you regarding the revised project cost:

We would like to bring to your kind information that the earlier provided cost of Rs. 11000 lakhs was an **estimated cost** of the project.

The project cost has been reevaluated and the estimated project cost is Rs.11644 lakhs. Certificate from Chartered Accountant firm is enclosed for reference.

Thanks and regards

NRSS XXXVI Transmission Limited

CEO
NRSS XXXVI TRANSMISSION LIMITED

Enclosures:

Chartered Accountant Certificate dt 13 May, 2023:

Copy to: -

1. Deputy Conservator of Forest, Jaipur
2. Additional Principal Chief Conservator of Forest, Protection & Nodal Officer FCA, Jaipur

Recd
20-05-2023
प्रमुख
वन संरक्षक
जुजुनु (राजो)

Regd. Office: 94, Pocket-4, Sector-11, Dwarka, New Delhi-110075

NRSS XXXVI TRANSMISSION LIMITED

Registered Office: Flat No. 94, 3rd Floor, Pocket-4, LIG Flats, Sector-11, Dwarka, New Delhi-110075
Corporate Office: Shatabdi Bhawan, B 12 & 13, Sector 4, Noida, Uttar Pradesh - 201301
CIN: U40300DL2015PLC284168 • Tel.: +91-7042053497 / +022- 6717-2869 • Email ID: sec@nrss@gmail.com

Annexure

Date: 13th May 2023

To whomsoever it may Concern

Subject: Total Incurred and Projected cost in respect of Element-2 for Rajasthan section of 400 kV Babai-Bhiwani Transmission Line

Project cost details are as below:

Particulars	(₹ in Cr)	Remarks
Share of OTS paid and Projected Cost for 400 KV Babai-Bhiwani Transmission Line in respect of Element-2	232.88	The amount mentioned has been arrived after curtailing the share of Element-1 and Element-3 out of total Project cost (incurred plus estimated).
Share of total Incurred and Projected cost to be incurred in Rajasthan Section for 400 KV Babai-Bhiwani Transmission Line	116.44	The total amount for Transmission Line is allocated to the Rajasthan section on the basis of 55 Km of line laying in Rajasthan (which is 50% of the total line laying) out of total length of 400 kV Babai-Bhiwani Transmission Line.

For NRSS XXXVI Transmission Limited,


T. Muraleedharan

CEO




13/05/2023

Regd. Office: 94, Pocket-4, Sector-11, Dwarka, New Delhi-110075



VIKASH A. JAIN & CO.
Chartered Accountants

OFFICE ADDRESS:

111, Tirupati Udyog Premises,
IB Patel Road, Goregaon East,
Mumbai, Maharashtra, 400063
Mobile: +91 8140027799
Email: Id.janakashca@gmail.com

UDIN - 23178092BGTMJN7111

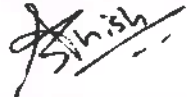
Date - 13th May 2023

Sub: Certificate for Total incurred and Estimated Cost in respect of Element 2 for Rajasthan State Section of Inter-State Transmission System (ISTS) Project of NRSS XXXVI Transmission Limited

TO WHOMSOEVER IT MAY CONCERN

1. We, M/s Vikash A Jain & Co., Chartered Accountants (Firm Registration No: 0325949E) having our office at 111, Tirupati Udyog Premises, IB Patel Road, Goregaon East, Mumbai, Maharashtra, 400063 are the Firm of Practicing Chartered Accountants appointed by NRSS XXXVI Transmission Limited ("Company"), having registered 94, 3rd Floor, Pocket - 4, Sector- 11, Dwarka, New Delhi - 110075, India, have examined the relevant records and documents of the Company, for the purpose of issuing this certificate.
2. We have been requested by the management of the company to provide a certificate on the attached "Annexure" containing information regarding Total Project cost of Element 2 of NRSS XXXVI Transmission Limited for the state of Rajasthan, which has been prepared by the Company based on the unaudited books of accounts and other relevant records and documents maintained at Company.
3. The Management of the Company is responsible for ensuring compliance with the requirements of the Companies Act, 2013, maintenance of books of accounts and such other relevant records as prescribed by applicable laws. This responsibility includes design, implementation and maintenance of internal control relevant to the preparation and presentation of the Annexure and applying an appropriate basis of preparation.
4. Our responsibility, for the purpose of this certificate, is limited to is to provide a reasonable assurance whether the particulars in the Annexure are in agreement with the books of accounts, on the basis of the examination of the relevant records and documents maintained by the Company and representation given to us by the management of the Company.
5. We conducted our examination of the Statement in accordance with the Guidance Note on Reports or Certificates for Special Purposes issued by the Institute of Chartered Accountants of India. The Guidance Note requires that we comply with the ethical requirements of the Code of Ethics issued by the Institute of Chartered Accountants of India.
6. On the basis of our examination of the relevant records and documents maintained by the Company and according to the information, explanations and representation given to us by the Management of the Company, we certify that the details contained in the Annexure have been correctly extracted.
7. This certificate is being issued at the request of the Company for submission to the Forest Department of Rajasthan Government and should not be used for any other purpose without our prior written consent.

For Vikash A. Jain & Co.
Chartered Accountants



Ashish Maheshwari
Partner

Membership no. 178092

Firm Registration No. 325949E

Place: Mumbai



KOLKATA BRANCH :8/1, Lal Bazar Street, Bikaner Building, 3rd Floor, Room No. 5A, Kolkata, West Bengal - 700001.
SURAT BRANCH :UG 138, 1st Floor, Rajhans Olympia, Opp. Mangaldeep Apartment, Bhatar, Surat, Gujarat - 395002.
BENGALURU BRANCH :H 543/8, Kodichikkanahalli Main Road, Opp Shahi Factory, Bommanahalli, Bangalore, Karnataka - 560068.
GUWAHATI BRANCH :Hari Har Enclave, 2nd Floor, Christian Basti, Kamrup Metro, Guwahati, Assam - 781005.