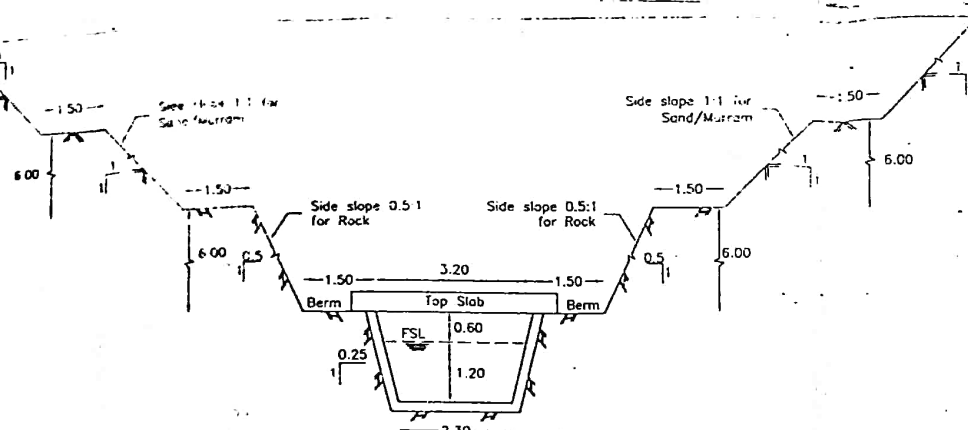
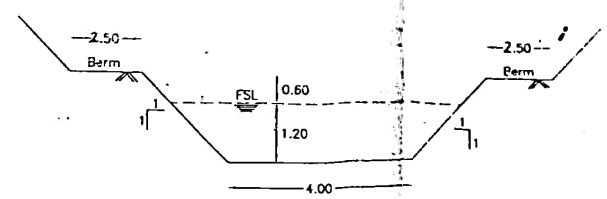


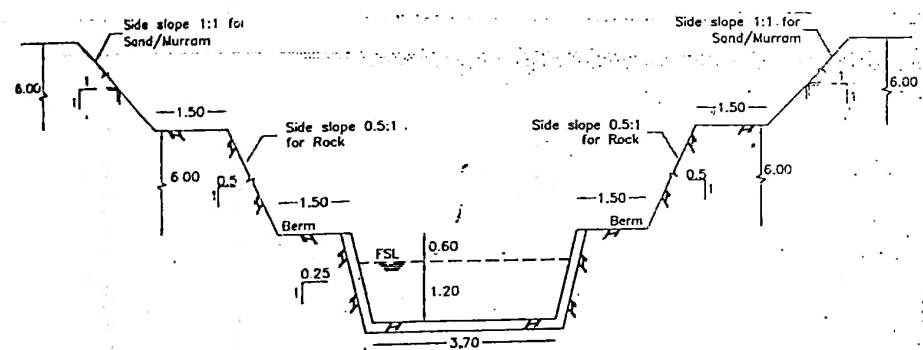
E 21



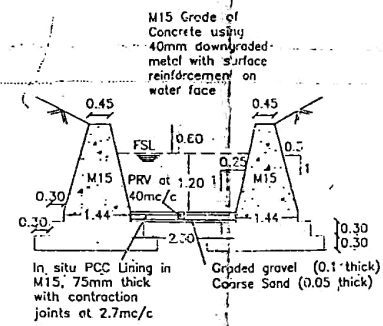
Typical Cross Section of Canal where the bed and Sides are in Hard Rock
LS 50m to LS 420m & LS 1375m to LS 2700m



Typical Cross Section of Canal LS 2800m to LS 3215m



Typical Cross Section of Canal LS 2700m to LS 2800m



Typical Cross Section of Canal LS 0m to LS 50m, LS 550m to LS 600m LS 1300m to LS 1375m

Note:

- All dimension are in 'm' unless or otherwise specified.
- This Drawing should be read along with the series T.No 87/2017 to T.No 89/2017.

Sheet No 1/3

Hydraulic Particulars:

LS 50m to LS 420m	
LS 1375m to LS 2700m (Canal with Concrete facing)	
1. Design Discharge	200 cusecs or 5.66cumecs
2. Bed Width	2.30 m
3. Bed Fall	1 in 500
4. Full Supply Depth	1.20 m
5. Free Board	0.60 m
6. Side Slope	0.25 H : 1 V
LS 2700m to LS 2800m (Canal with Concrete facing)	
1. Design Discharge	200 cusecs or 5.66cumecs
2. Bed Width	3.70 m
3. Bed Fall	1 in 1500

LS 2800m to LS 3215m (Unlined canal)

1. Design Discharge	200 cusecs or 5.66cumecs
2. Bed Width	4.00 m
3. Bed Fall	1 in 1500
4. Full Supply Depth	1.20 m
5. Free Board	0.60 m
6. Side Slope	1H : 1 V

**LS 0m to LS 50m, LS 550m to LS 600m
LS 1300m to LS 1375m (Lined Canal with Retaining wall)**

1. Design Discharge	200 cusecs or 5.66cumecs
2. Bed Width	2.30 m
3. Bed Fall	1 in 500
4. Full Supply Depth	1.20 m

<p>GOVT. OF TAMILNADU PUBLIC WORKS DEPARTMENT OFFICE OF THE SUPERINTENDING ENGINEER, PWD, DESIGNS CIRCLE, WRO, CHENNAI - 600 005.</p>		
Designed & Drawn by Er. D.Mohanapriya, AE	<i>[Signature]</i>	Name of work: Diversion of Surplus Water From Ramanadhi Reservoir to Jambunadhi System of Tanks and Excavation of New Canal From Padmanabaperi Tank to Pungankulam and Lowerdown Tanks in Tenkasi And Alangulam Taluks of Tirunelveli District -Formation of Link canal from LS 0m to LS 3215m.
Checked by Er R.N.Surekha, AEE (TG)	<i>[Signature]</i>	
Verified by Er. V.Shanmugavelu, EE(D)	<i>[Signature]</i>	Designed drawing of: Typical Cross Section of Canal.
Recommended by Er. K. Balaiya, Spl.CE (D)	<i>[Signature]</i>	
Approved by <i>[Signature]</i>	<i>[Signature]</i>	
Plan	Circle	Plan Formulation Circle.