

ELEVATION OF TROUGH AQUEDUCT  
(FROM LS 600m TO 1300m)

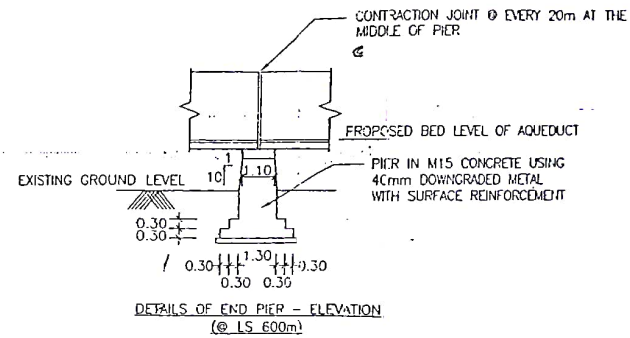
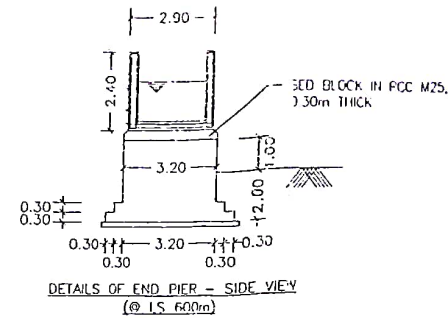
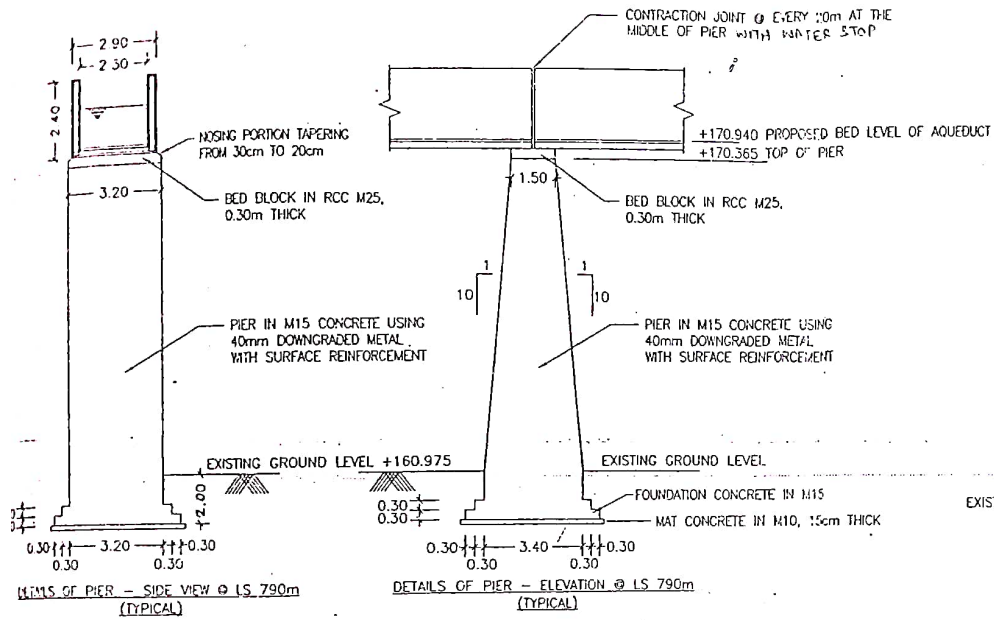
Sheet No. 1/3

**Note:**

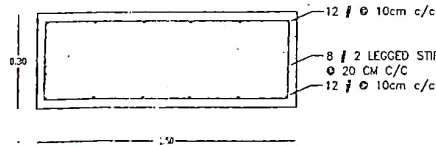
1. All Dimensions and Levels are in metres unless or otherwise specified.
2. This drawing has to be read along with series of

PUBLIC WORKS DEPARTMENT OFFICE OF THE SUPERINTENDING ENGINEER, P.W.D. DESIGNS CIRCL E, WFO, CHENNAI - 600 005.			
Designed and Drawn by Er. R. Prakash, AE(SDD)	<i>R. Prakash</i>	NAME OF WORK DIVERSION OF SURPLUS WATER FROM BANAWATHI RESERVOIR TO JALPAIGUHI SYSTEM OF TANKS IN TAMILNADU DISTRICT	
Checked by Er. P. Sankala, ALEtl	<i>P. Sankala</i>	TROUGH AQUEDUCT FROM LS 600 TO LS 1300m	
Verified by Er. V. Shanmugaselu, L111	<i>V. Shanmugaselu</i>	Designed drawing of ELEVATION OF TROUGH AQUEDUCT	
Recommended by Er. K. Balaya Spt. (T.D.)	<i>K. Balaya</i>	Region Tamil Nadu	Circle Plan Formulation Circle, Tiruv
Approved by Er. P. Venkatesh, Spt. (T.D.)	<i>P. Venkatesh</i>		

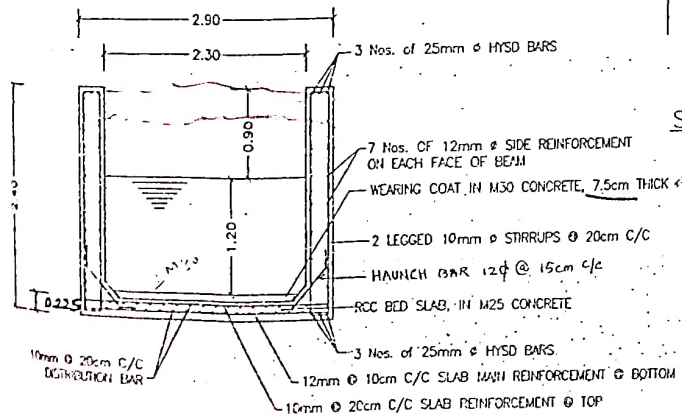
15/02/27



MIN. DEPTH OF FOUNDATION = 2.00m BELOW EXISTING G.L.



SECTION OF BED BLOCK



REINFORCEMENT DETAILS OF TROUGH

1. CLEAR COVER = 50mm

**Note:**

1. All Dimensions and Levels are in metres unless or otherwise specified.
2. This drawing has to be read along with series of drawings from T. No. 34/2017 to T. No. 86/2017.

Sheet No. 2/3

PUBLIC WORKS DEPARTMENT OFFICE OF THE SUPERINTENDING ENGINEER, P.W.D. DESIGNS CIRCLE, WRO, CHENNAI - 600 005.		
Designed and Drawn by Er. R. Prakash, AE (SDI)	<i>[Signature]</i>	NAME OF WORK EXPANSION OF SURPLUS WATER FROM PALLAVATHI RESERVOIR TO JAMBURHATHI SYSTEM OF TANKS IN TRAVUNELI DISTRICT
Checked by Er. P. Sakiba, AEE (I)	<i>[Signature]</i>	PROPOSED AQUEDUCT FROM LS 570m TO LS 1340m
Verified by Er. V. Shanmugavelu, E.E. (I)	<i>[Signature]</i>	DETAILS OF PIER AND TROUGH
Recommended by Er. K. Balajya, Spl. CLD.	<i>[Signature]</i>	
Approved by	<i>[Signature]</i>	Circle Piers Formulation