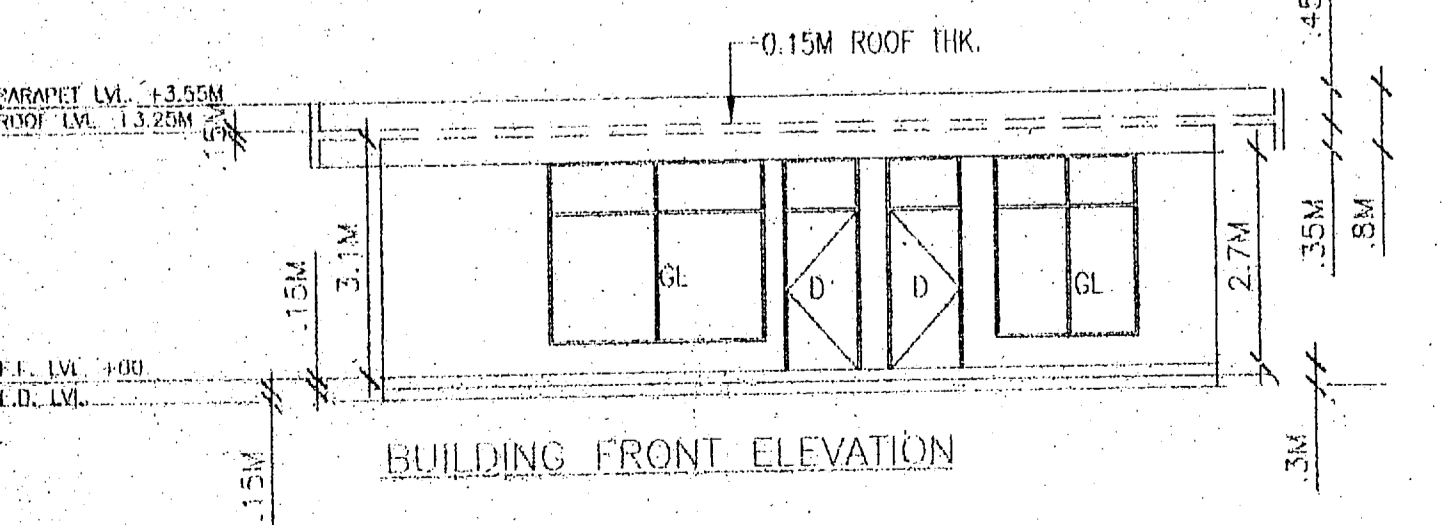
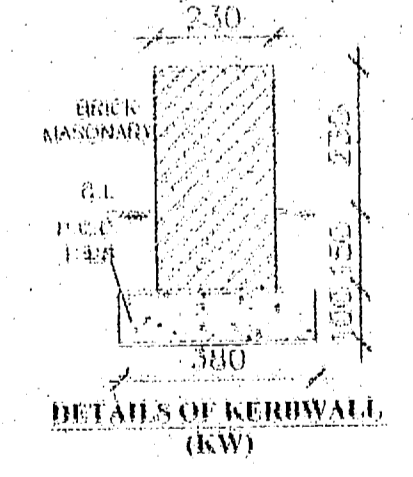
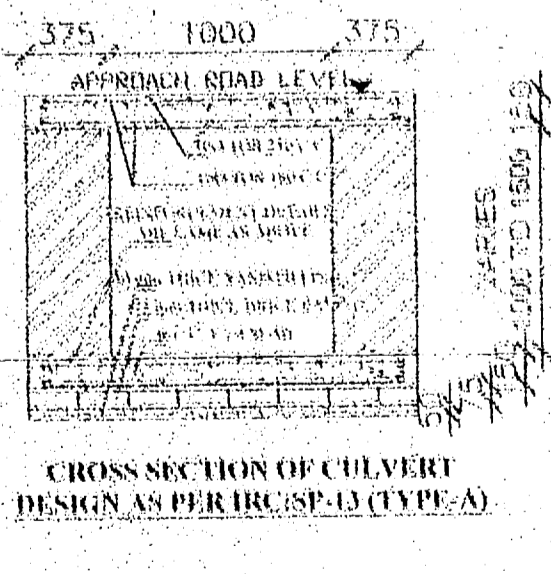
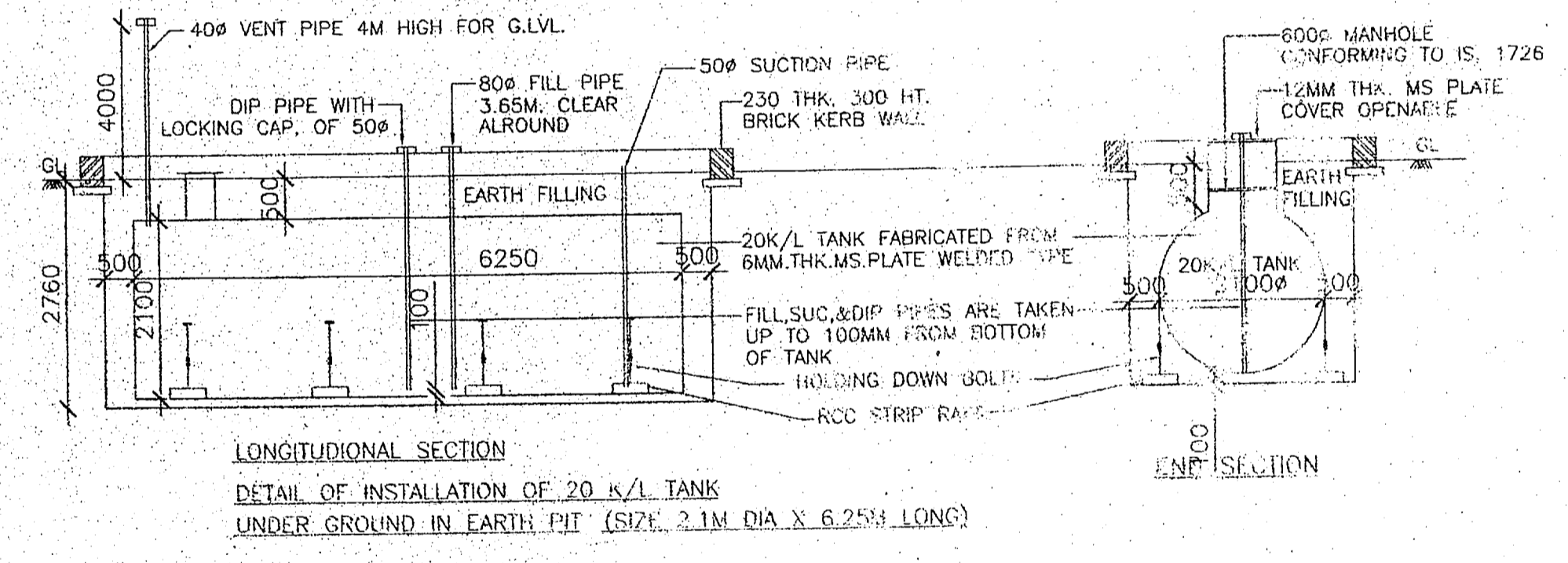
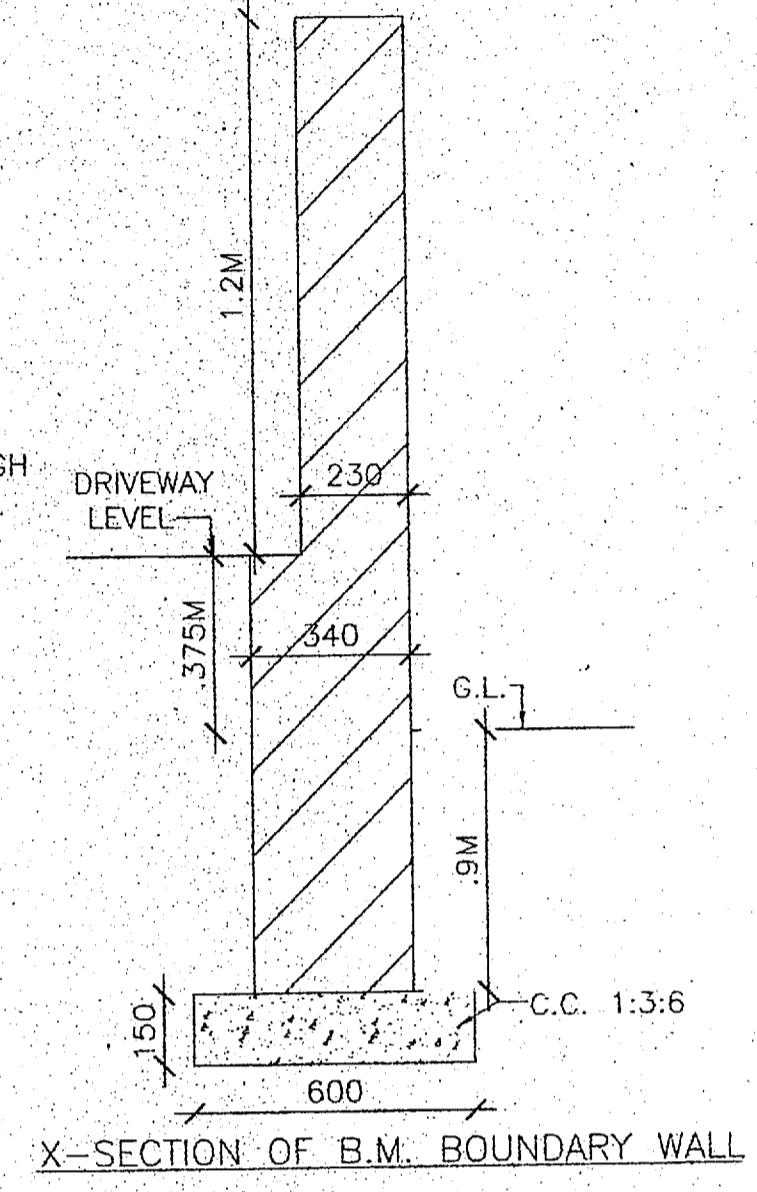
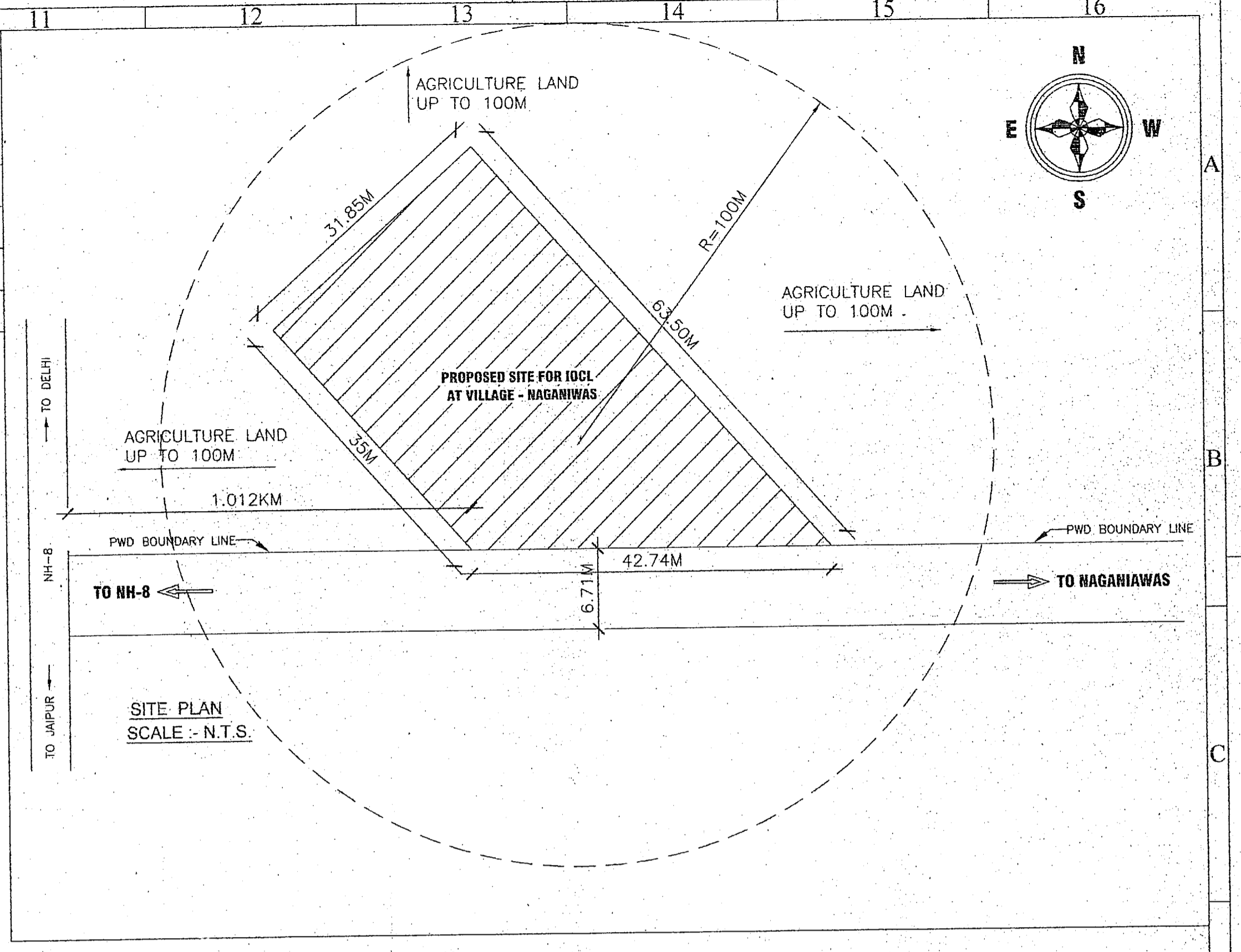


**SITE INFORMATION**

1. TOTAL PLOT AREA	= 1568.60 SQM.
2. TOTAL BUILDING AREA	= 40.00 SQM.
KHEWAT NO.	50
KHATONI NO.	52
MUSTKIL NO.	16
KILA NO.	16//8/1, 3/5



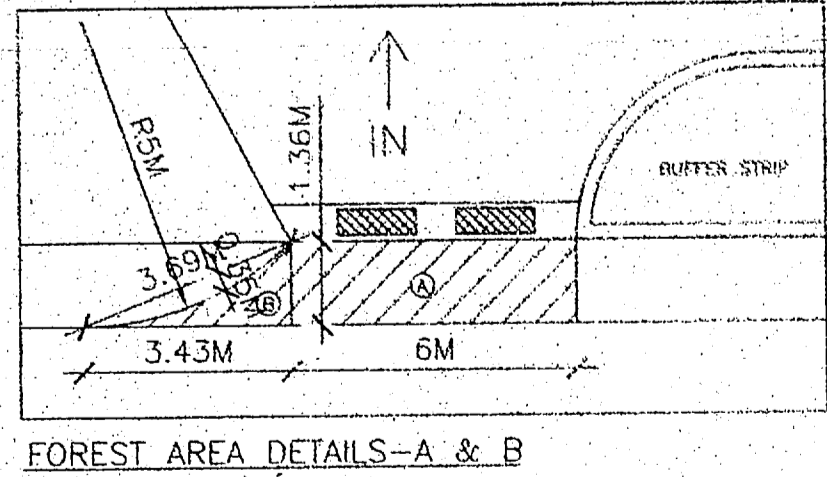
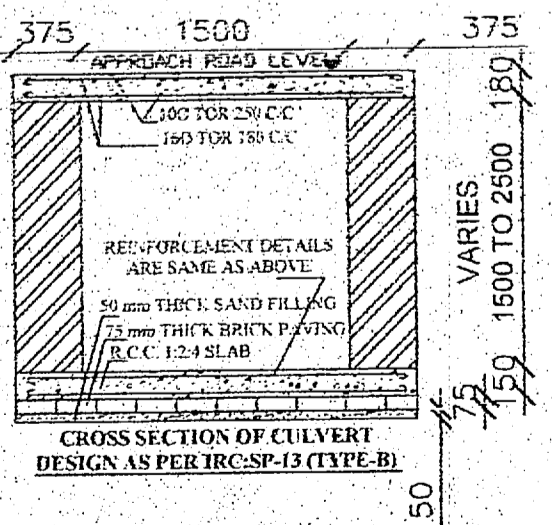
**NOTES :-**

- V= VENT PIPES 4 M HIGH AND 4.0 M CLEAR ALLROUND END COVERED WITH 2 LAYERS OF BRASS WIRE GAUGE 11 MESH PER LINEAR CENTIMETRE.
- F= FILL POINTS FITTED WITH CAM LOCK COUPLE IN AND AIR TIGHT THREADED BRASS CAP FOR DECANTING FROM TANK LORRY.
- D= DIP PIPES WITH CAP ASSEMBLY.
- ALL ELECTRICAL FITTINGS ARE FLAME PROOF CONFORMING TO IS :2148.
- ALL DOORS OF BUILDING TO BE OPENED OUTWARDLY.
- NO SEWER OR SURFACE DRAIN WITHIN 6 M OF THE U/G TANKS & D/U.
- PREMISES TO BE USED FOR ONLY STORAGE OF PETROLEUM PRODUCTS.
- TANKS ARE PAINTED WITH TWO LAYERS OF HOT BITUMEN OVER TWO COATS OF RED LEAD PRIMER TO PROTECT AGAINST CORROSION.
- FABRICATION DESIGN OF UNDER GROUND STORAGE TANK ARE CONFORMING TO IS: 10987:1992 AS PER C.C.O.E. NAGPUR ORDER NO. G-40 (SC)/MISC. 94 DATED 24.02.99.
- ALL DIMENSIONS ARE IN MM. UNLESS OTHERWISE NOTED.
- S.B. - SAND BUCKET 10 NO'S AS PER EXPLOSIVE RULES.
- F.E. - FIRE EXTINGUISHER-10 NO'S AS PER EXPLOSIVE RULES.
- TANK GIVEN HYDROLIC PRESSURE TEST PRIOR TO INSTALLATION AND BEFORE ANY PROTECTIVE COATING AS APPLIED. THE TEST SHOULD BE MENTIONED AT A CONTROLLED PRESSURE OF 0.36 KG/SQ.C.M. FOR 2 HOURS.
- DIP ROD SUPPLIED WITH THE TANK FOR THIS TYPE OF INSTALLATION SHOULD BE 3280 MM LONG INSTEAD OF STANDARD 2350 MM.
- FABRICATION THICKNESS OF SHELL PLATES AND END PLATE OF TANKS: 20 KL SHELL- 6 MM END - 8 MM
- TANKS CONFORMS TO 124, 125 & 131 OF THE PETROLEUM RULE - 2002.
- ALL LIGHT POLES ARE FITTED AS PER APPROVAL OF C.C. NAGPUR VIDE LETTER NO. PL. II (M/B) DATED: 26.11.1963.
- NATURAL DOWN SLOPE FROM THE EDGE OF METALLED ROAD TO CULVERT ON APPROACHES WILL BE MAINTAINED FREE FLOW OF WATER TOWARDS DRAIN.
- SITE MEETS APPLICABLE IRC 1983 NORMS WITH LATEST AMENDMENTS.
- EV = EXTENDED VENT POINTS F = EXTENDED FILL POINTS.
- THE PROPOSED SITE IS FREE FROM ANY TYPE OF LITIGATION AND NO CASE IS PENDING IN ANY COURT OF LAW.
- NO ELECTRIC LINE PASSING OVER THE R.O. PREMISES.

LAYOUT PLAN  
SCALE :- 1:150

**TANK DATA CHART**

TANK	SIZE OF TANK	TANK & PUMP
MS	MS	HSD
1X20 KL	2.1M X 6.25M, 1500G	HSD
1X20 KL	2.1M X 6.25M, 1500G	MS



**FOREST AREA CALCULATION**

PROTECTED FOREST FOR APPROACH ROAD

A+A' = 2 (1.36 x 6) = 16.32 SQM.

B+B' = 2 (1/2 x 3.43 x 1.36 - 2/3 x 3.69 x 0.35) = 2 (2.33 - 0.86) = 2.94 SQM.

TOTAL = 19.26 SQM. OR 0.0019 HAC.

DATE	REV. No.	BRIEF DESCRIPTION OF REVISIONS MADE	CHECKED
	REV-1		
	REV-2		
	REV-3		

**Indian Oil Corporation Limited**  
(Marketing Division)  
Gurgaon Divisional Office,

**IndianOil**

SUBJECT :- PROPOSED RETAIL OUTLET MS/HSD FACILITY ON NH-8 - NAGANIAWAS ROAD, AT VILLAGE- NAGANIAWAS TESHIL-REWARI, DISTRICT-REWARI, HARYANA

KHASRA NO.	POLICE STATION	DHARUHERA
DRAWN BY: MTO	RLY STATION	REWARI
APPROVED BY	STATE	HARYANA
CHECKED BY	SCALE	1:150
EXP. LICENCE NO. NEW KSK	DRAWING NO.	GDO/S12013

PREPARED BY :- MICRO TECH/06  
M/28 B NO. 650/1104860  
Email: microtech\_06@rediffmail.com

DR./SR.MGR.(ENGG) MGR(RS)/SR(RS) CD/PL/SDO