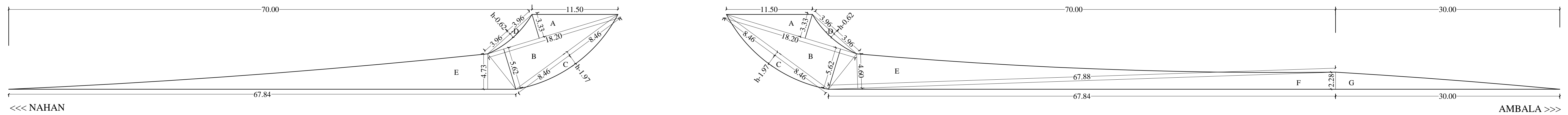


LAYOUT PLAN 1:300



AREA DETAIL				SITE DATA CHART		NORTH	
<<< NAHAN		AMBALA >>>		TOTAL FOREST AREA		INDIAN OIL CORPORATION LIMITED, (MARKETING DIVISION) PANIPAT DIVISIONAL OFFICE DISTT. PANIPAT.	
A AREA = 1/2 x 18.20 x 3.33 = 30.30	-D AREA = 1/2 x 3.96 x 0.62 = 1.33 x 2.45 = 3.25	A AREA = 1/2 x 18.20 x 3.33 = 30.30	-D AREA = 1/2 x 3.96 x 0.62 = 1.33 x 2.45 = 3.25	Nahan Side:-A+B+C+E-D = 30.30+51.14+22.15+160.44-3.25 =264.03-3.25 =260.78 SQM		LOCATION	BANONDI
B AREA = 1/2 x 18.20 x 5.62 = 51.14	E AREA = 1/2 x 67.84 x 4.73 = 160.44	B AREA = 1/2 x 18.20 x 5.62 = 51.14	E AREA = 1/2 x 67.88 x 4.60 = 156.12	Ambala Side:-A+B+C+E+F+G-D = 30.30+51.14+22.15+156.12+77.38+34.20-3.25 = 371.29-3.25 = 368.04SQM		RAILWAY STN.	AMBALA
C AREA = 1/2 x 8.46 x 1.97 = 1.33 x 16.66 = 22.15		C AREA = 1/2 x 8.46 x 1.97 = 1.33 x 16.66 = 22.15	F AREA = 1/2 x 67.88 x 2.28 = 77.38	FOREST AREA =Nahan + Ambala = 260.78+368.04 SQM = 628.82 SQM = 0.0628 HE.		POLICE STN.	NARAYAN GARH
				NON FOREST AREA = 2058.75 SQM		KHASRA NO.	6/16, 9/20.
						DISTT.	AMBALA
						STATE	HARYANA
						REV. NO.	DESCRIPTION
						REV. BY	DATE
						SITE LAYOUT PLAN FOR FILLING STATION ON NH-72, KM 28.700, VILLAGE- BANONDI, TEH.- NARAYAN GARH, DISTT.- AMBALA, (HARYANA)	
						Checked By :- PARVEEN GUPTA DATED : 26.09.2014 SCALE - AS SHOWN DRG. NO. PDO-FOREST/267 EXPLOSIVE LICENCE NO.	
						REAL BUILDERS 115/6, ALKA HOSPITAL LANE, RAILWAY ROAD GHARAUNDA, DISTT. KARNAL (HARYANA)	
						CHECKED BY:	APPROVED BY M/S KIRAN E/S