



IndianOil
A Maharatna
Company

विपणन प्रभाग
Marketing Division

इंडियन ऑयल कॉर्पोरेशन लिमिटेड
गुरुगांव मण्डलीय कार्यालय
#1, इंस्टीट्यूशनल एरिया,
सेक्टर-18, गुरुगांव-122 001 (हरियाणा)
Indian Oil Corporation Limited
GURGAON DIVISIONAL OFFICE
83, Institutional Area, Sector-18,
Gurgaon - 122 001 (Haryana) India
Ph. : +91-124-2340313
Fax : +91-124-2342251

Date: 06/06/2022

To

The District Forest Officer
Gurugram

Subject:

DIVERSION OF FOREST LAND (0.09252 HECTARE) FOR THE PROPOSED FUEL STATION OF M/s INDIAN OIL CORPORATION LIMITED ON SH 15A (GURGAON-JHAJJAR) AT KM 10.200 (LHS) IN VILLAGE- BUDHERA, TEHSIL-HARSARU, DISTRICT-GURUGRAM (HARYANA). Online No. FP/HR/APPROACH/149814/2021

Ref. No.(i) 948

Dated 31.05.2022

Ref. No.(ii) 660-G

Dated 03.06.2022

Respected Sir,

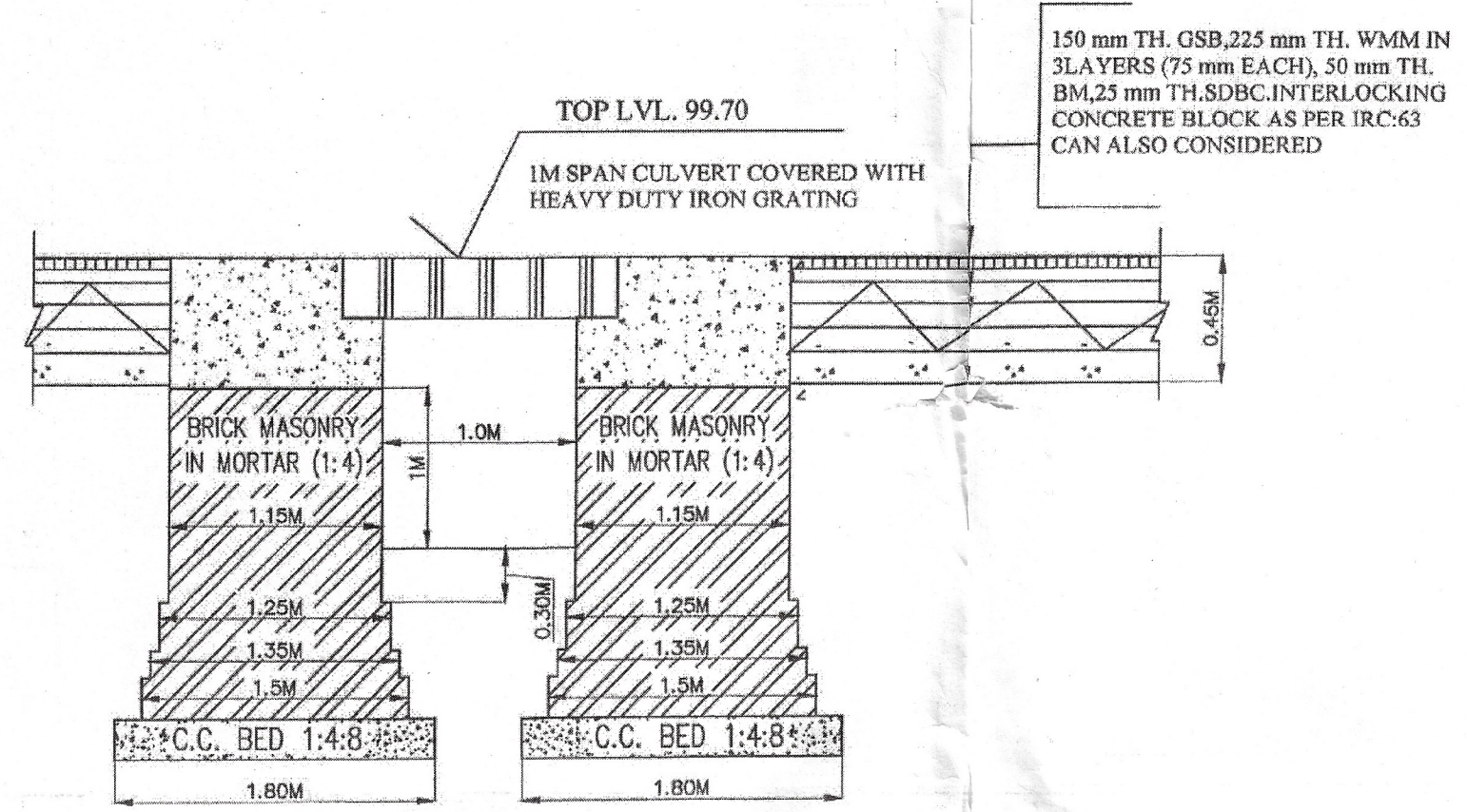
The NOC case of above noted subject is now submitting after attending all the observations raised by CCF office Gurgaon vide above noted ref. No.(i) and conveyed to us by your office vide above noted ref. No. (ii) are as under:-
Now we are submitting the hard copy of the layout plan for our site approved by PWD B&R, Gurugram. We are also submitting the same on the online portal of www.parivesh.nic.in.

Kindly process our proposal further and provide us the desired NOC as soon as earlier.

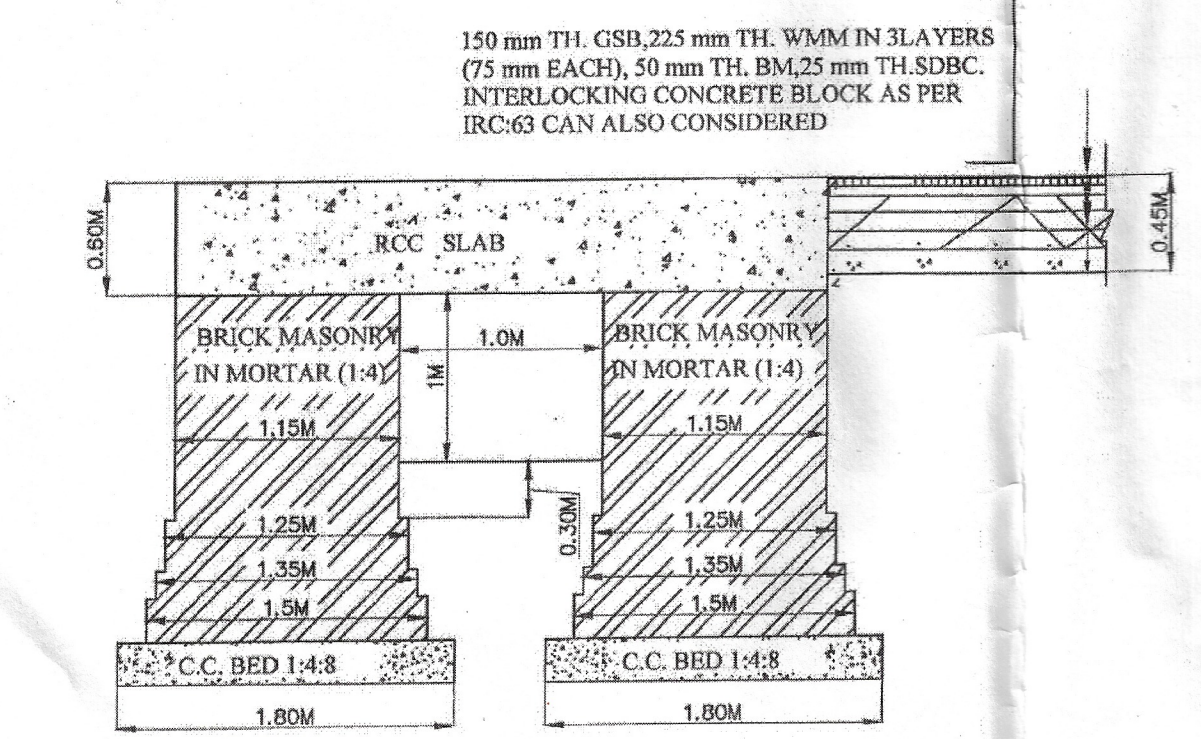
Thanking you.


गौरव अरोड़ा / Gaurav Arora
प्रबंधक (रि.से.), गुरुगांव-II, रि.से.ए.
Manager (RS), Gurgaon-II RSA
इंडियन ऑयल कॉर्पोरेशन लिमिटेड
INDIANOIL CORPORATION LIMITED
गुरुगांव मण्डल कार्यालय / Gurgaon Divisional Office
IOCL Gurgaon Divisional Office

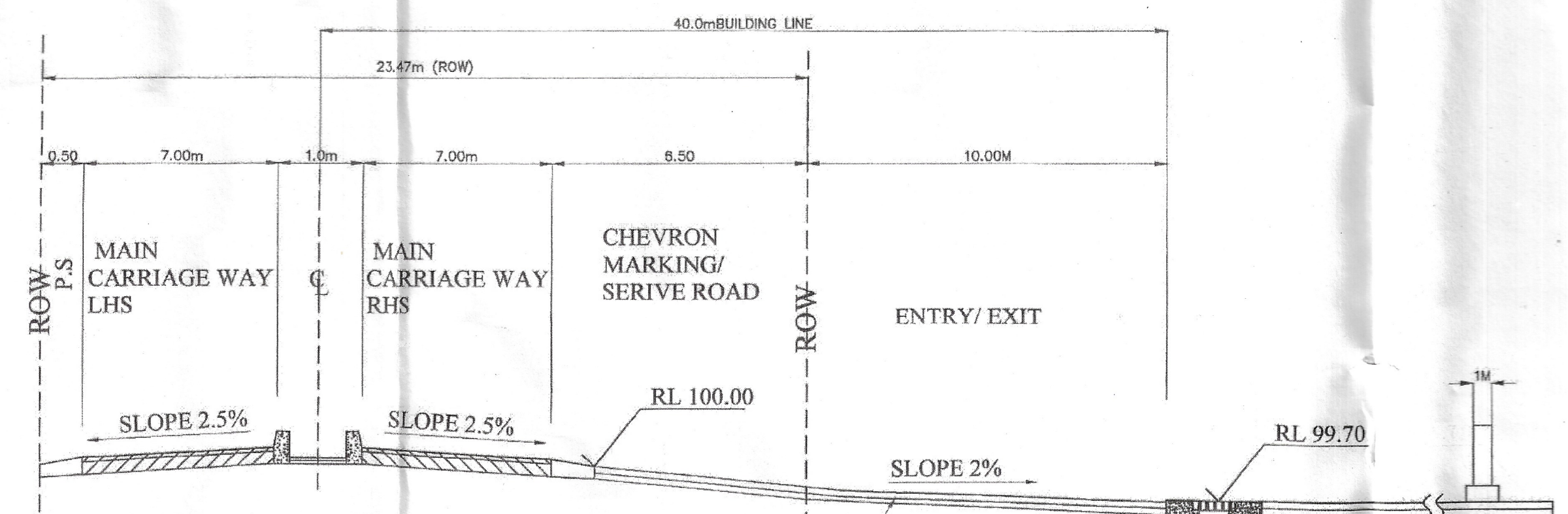
रजि. कार्यालय : जी-9, अली यावर जंग मार्ग, बान्द्रा (पूर्व), मुम्बई-400 051
REGD. OFFICE : G-9, ALI YAVAR JUNG MARG, BANDRA (EAST), MUMBAI-400 051 (INDIA)



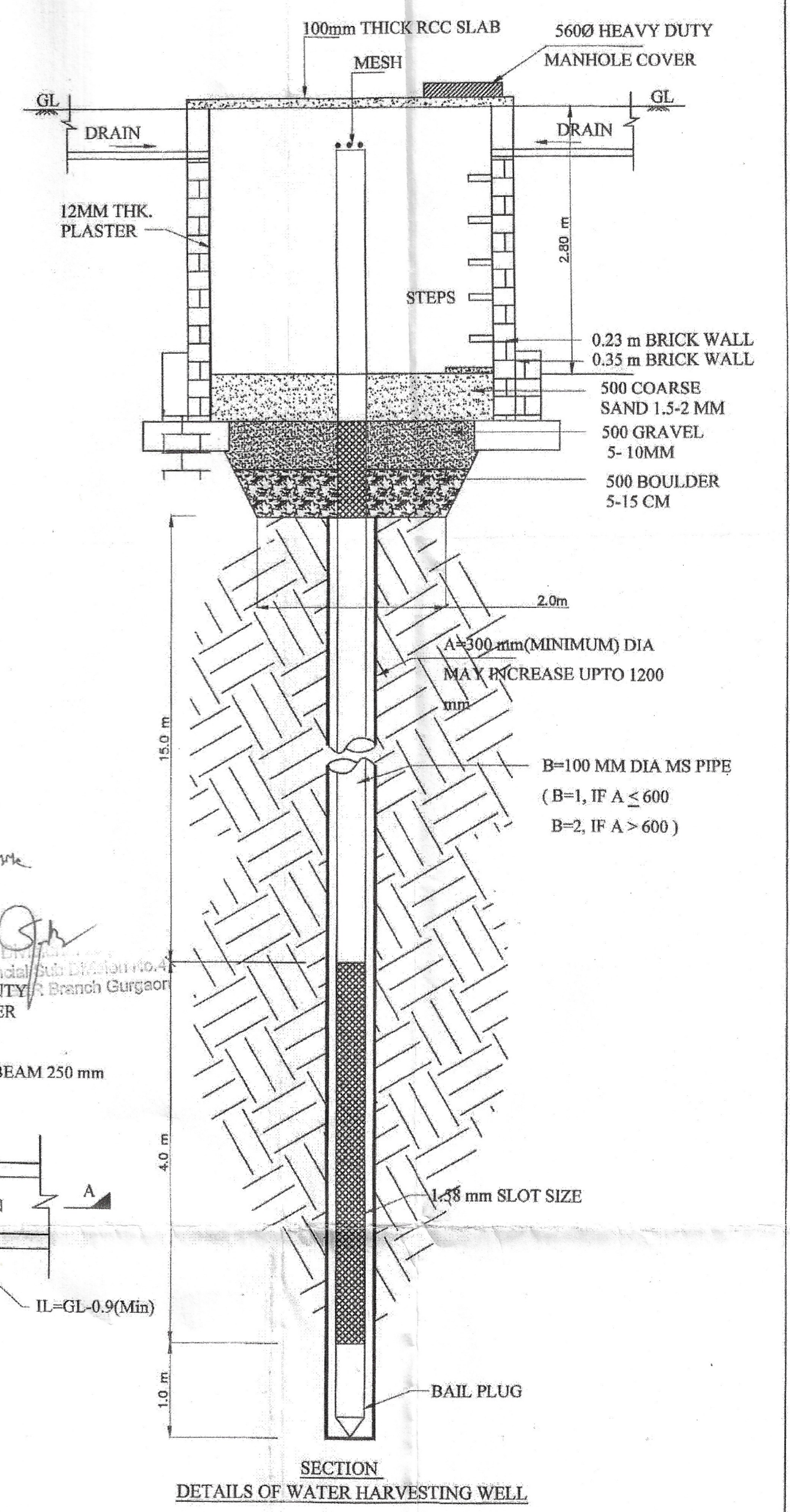
SECTION E-E
CROSS SECTION OF CULVERT AT ENTRY AND EXIT
AS PER IRC. SP-13



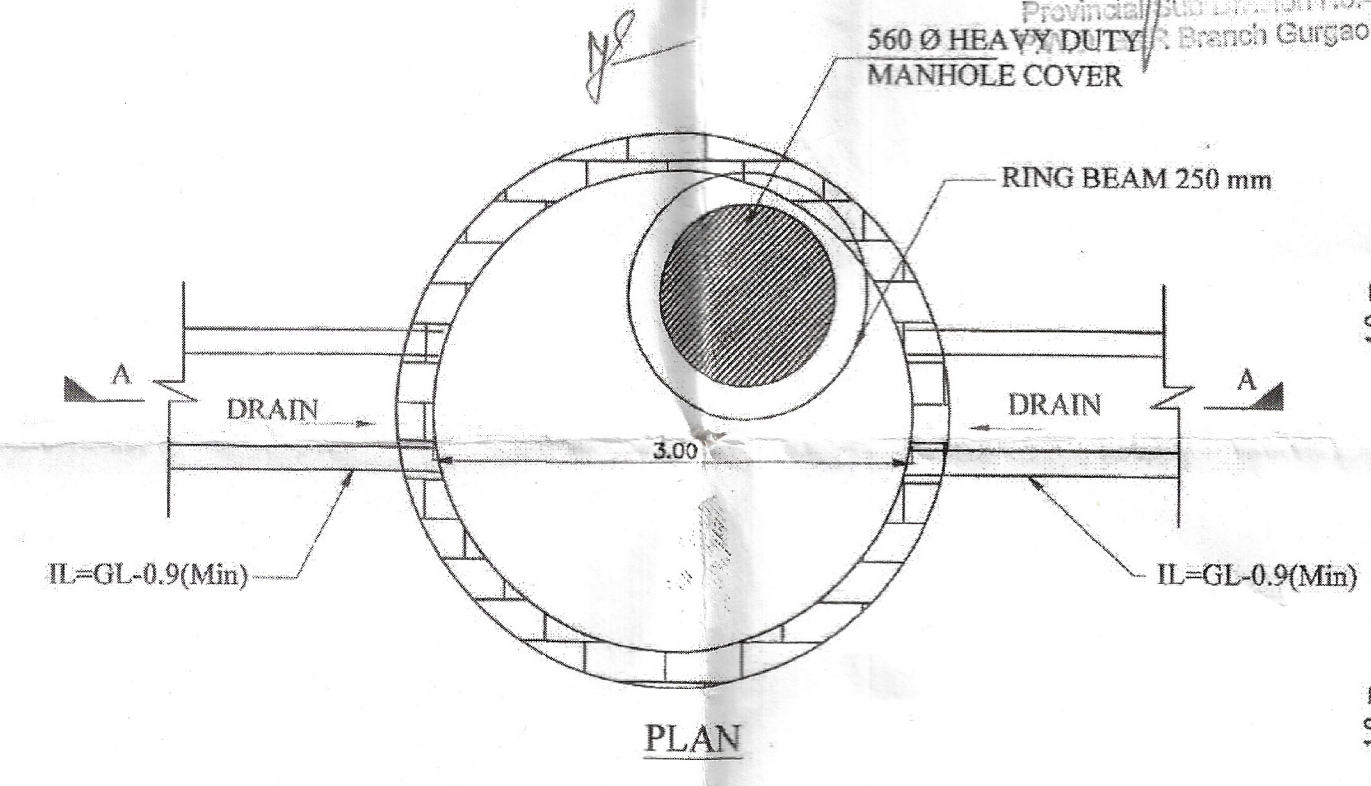
SECTION D-D
CROSS SECTION OF SLAB CULVERT
AS PER IRC. SP-13



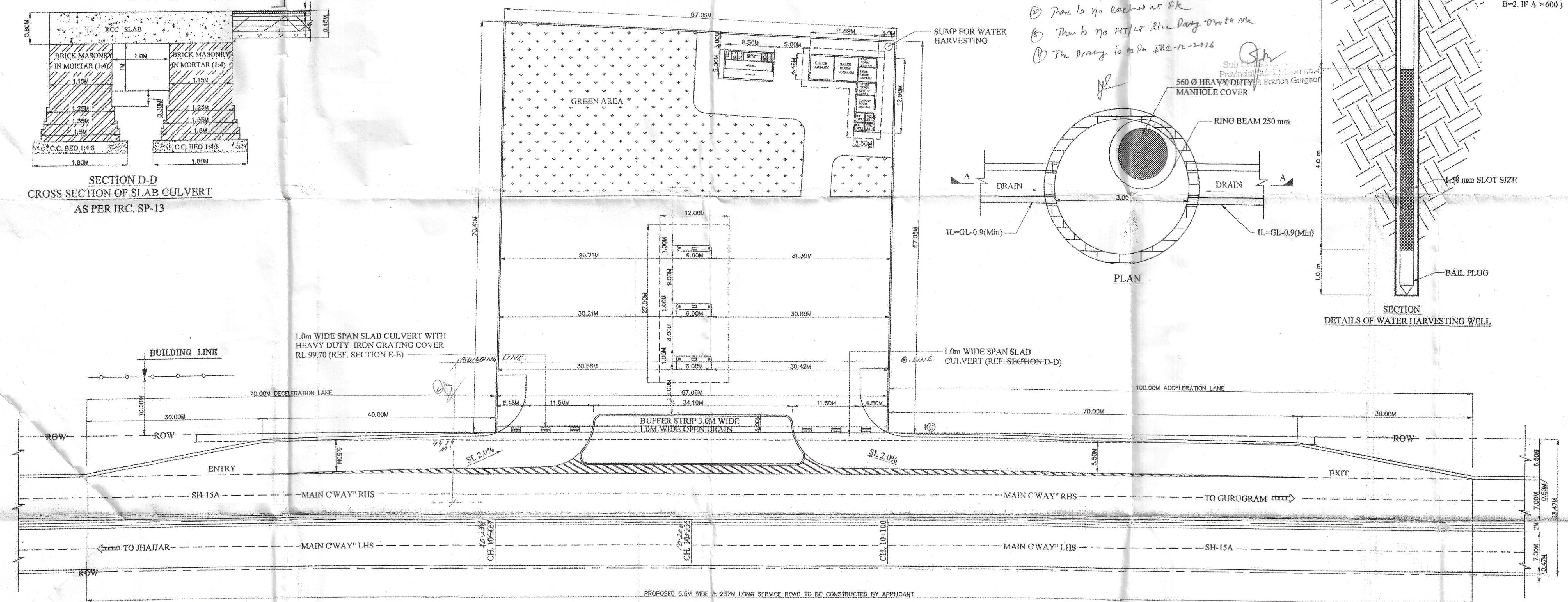
SECTION A-A
150 mm thick Granular Sub - base (GSB) overlaid by three layers of Water Bound Macadam (WBM), each of 75 mm thickness overlaid by bituminous surfacing of minimum thickness 20mm.
1m WIDE SPAN CULVERT COVERED WITH HEAVY DUTY IRON GRATING.



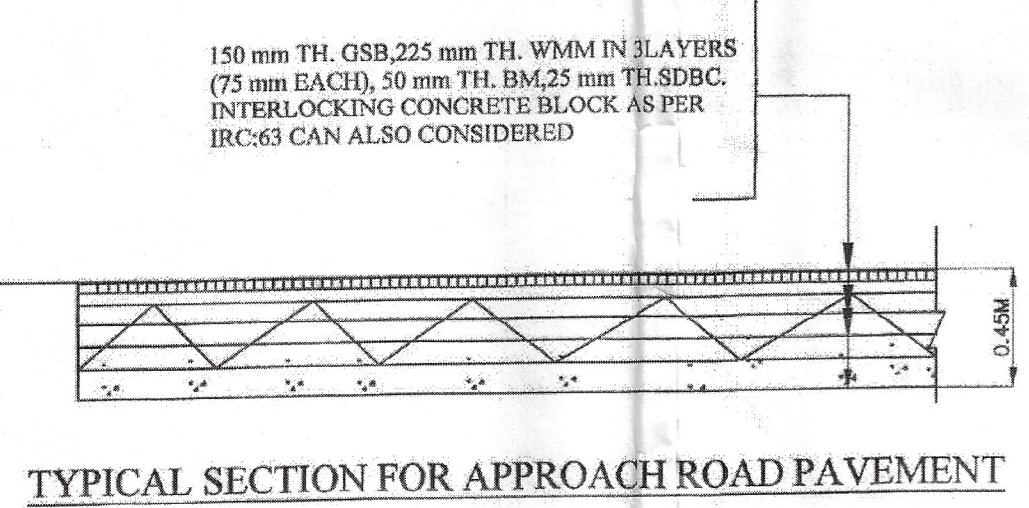
① The site falls in Cyn. Plan. Def. No. CH-15A at Rs 10-200 (RHS)
② There is no enclosure at site
③ There is no HT/LT line passing through the site
④ The drawing is as per IRC-11-2016



SECTION
DETAILS OF WATER HARVESTING WELL

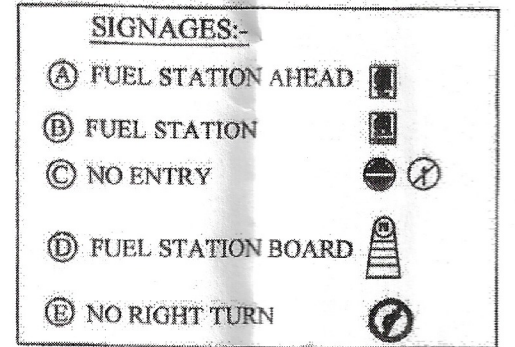


PROPOSED LAYOUT PLAN FOR NEW MS/ HSD RETAIL OUTLET AT SH-15A (GURUGRAM TO JHAJJAR PWD ROAD).



TYPICAL SECTION FOR APPROACH ROAD PAVEMENT

- NOTES:-
- ACCESS ROAD SHALL BE MIN. PAVEMENT COMPOSITION OF 150 mm TH. GSB, MM GR. I, II, III OF 75 mm TH. EACH, 50 mm TH. BM AND 25 mm TH. SDBC.
 - ALL PAVEMENT MARKING SHALL BE AS PER IRC-35-1997.
 - ALL TRAFFIC SIGNS SHALL BE AS PER IRC-67-2001 AND IRC-SP-55-2001.
 - THE LENGTH OF SEPARATOR ISLAND SHALL BE DETERMINED AS PER SITE ITS MIN. WIDTH SHALL BE 3M.
 - THE SEPARATOR ISLAND AND BUFFER STRIP SHALL BE TURFED WITH THE PROVISION OF 275 mm HIGH KERB.
 - CULVERT SHALL BE PROVIDED IN THE LINE OF STORM WATER DRAIN ON ENTRY AND EXIT APPROACHES, TO CATER THE EXPECTED DISCHARGE.
 - ALL DIMENSIONS ARE IN METERS UNLESS OTHERWISE MENTIONED.



SCALE: NTS
SHEET: 1 OF 2 [LAYOUT & DRAINAGE PLAN]

OWNER: M/S. INDIAN OIL CORPORATION LIMITED
MARKETING DIVISION
GURUGRAM DIVISIONAL OFFICE

PROJECT: PROPOSED LAYOUT & DRAINAGE PLAN FOR NEW MS/HSD RETAIL OUTLET AT, CH. 10-200 (RHS), SH-15A (GURUGRAM-JHAJJAR PWD ROAD), VILLAGE-BUDHERA, TEHSIL-GURUGRAM, DISTRICT-GURUGRAM, STATE-HARYANA.

Executive Engineer
Provincial Division No. II
PWD B & R B. such. Gurgaon