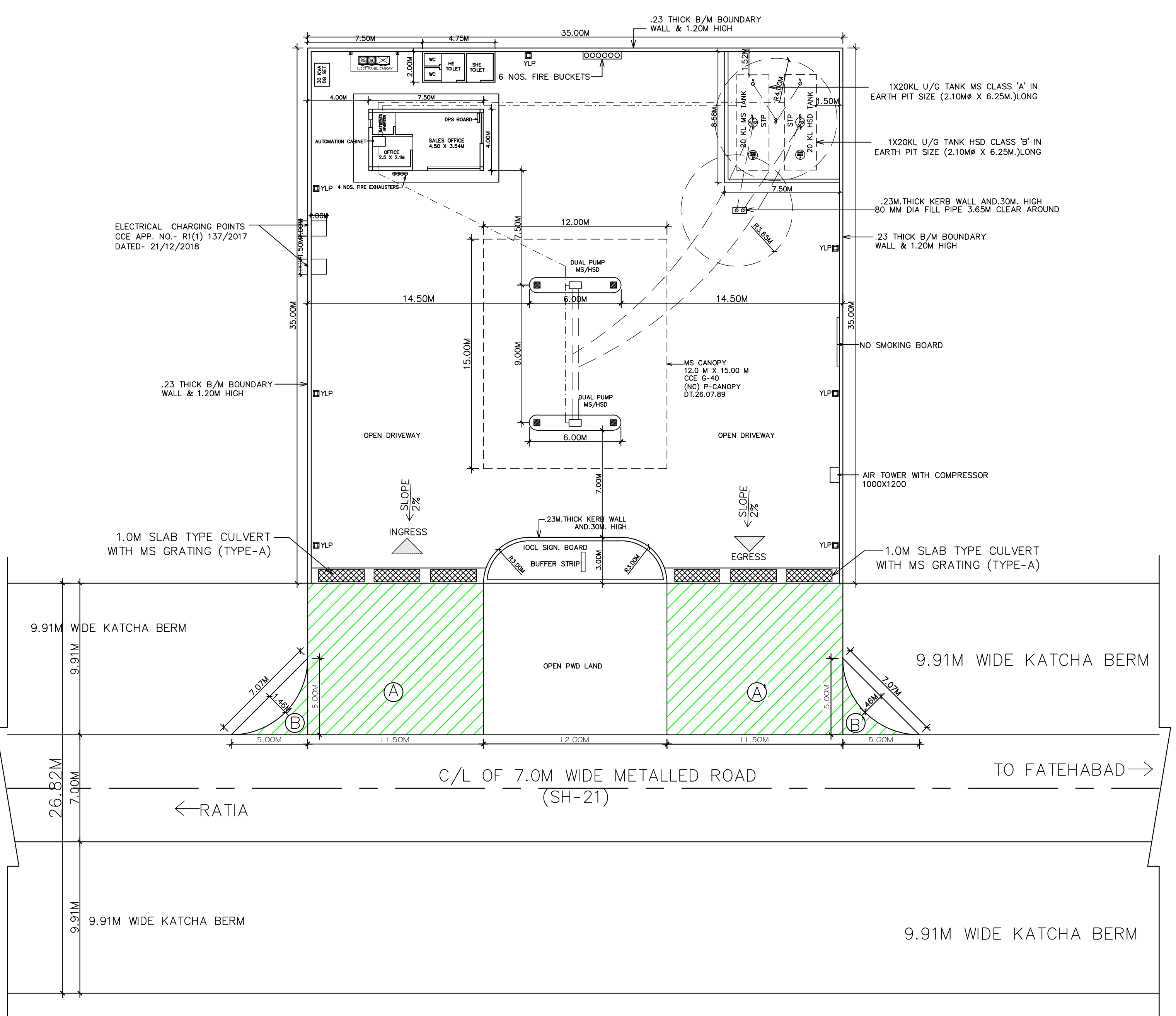
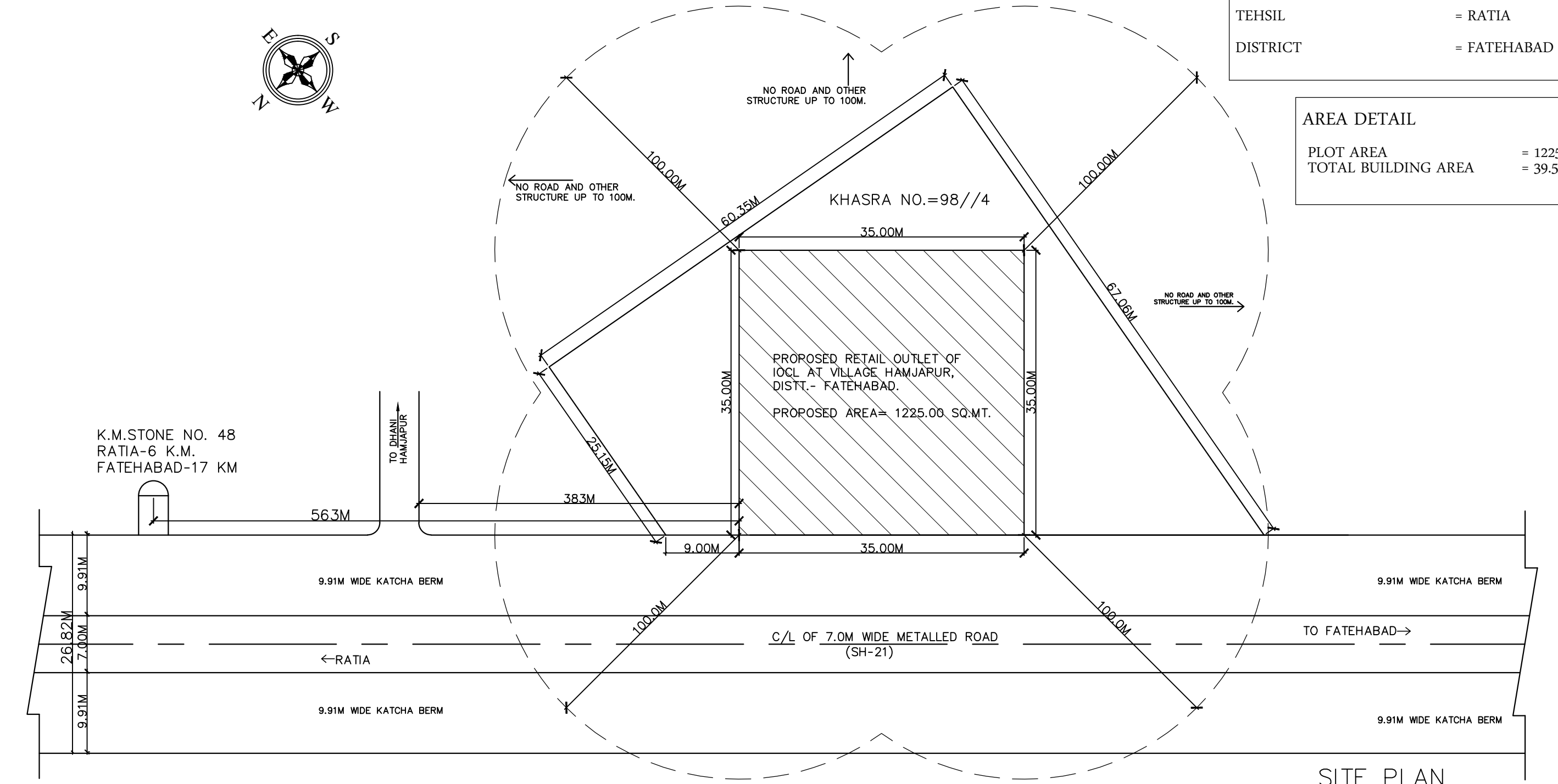


KHASRA NO. = 98/4
 VILLAGE = HAMJAPUR
 PIN CODE = 125051
 NEAREST POLICE STATION = RATIA
 NEAREST RAILWAY STATION = JAKHAL
 TEHSIL = RATIA
 DISTRICT = FATEHABAD (HARYANA)

AREA DETAIL
 PLOT AREA = 1225.00 sq.mt
 TOTAL BUILDING AREA = 39.50 sq.mt.



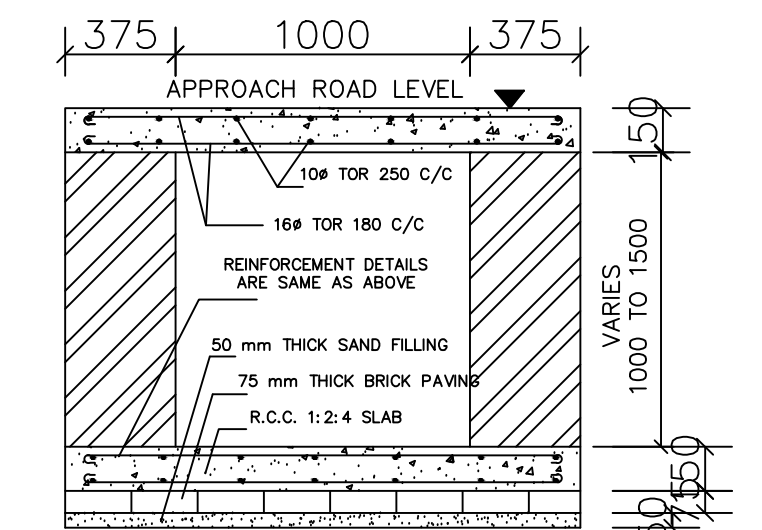
LAYOUT PLAN
 SCALE: - N.T.S.



SITE PLAN
 SCALE: - N.T.S.

TANK DATA CHART

| TANK | SIZE OF TANK | MS PLATES | | NO. OF H.D.B. | VENT PIPE DIA | SLAB TH. IN MM. | TANKS | | PUMPS | |
|------|---------------|-----------|-----|---------------|---------------|-----------------|-------|-----|-------|-----|
| | | SHELL | END | | | | MS | HSD | MS | HSD |
| 20KL | 2.10M X 6.25M | 6mm | 8mm | 8 | 40 | 325 | 1 | 1 | 2 | 2 |



CROSS SECTION OF CULVERT
 DESIGN AS PER IRC:SP-13 (TYPE-A)

APPROACH ROAD AREA NON FOREST AREA = 1225 SQ.MT. OR 0.01225 HAC

1. AREA = A+A' = 2(11.50 X 9.51) = 227.93 sq.mt.
 2. AREA = B+B' = 2(1/2 X 5.00 X 5.00 - 2/3 X 7.07 X 1.46) = (25.00 - 13.76) = 11.24 sq.mt.

TOTAL AREA = 227.93 + 11.24 = 239.17 Sq.Mt. = 0.0239 Hac.

GENERAL NOTES:-

- NO ROAD CROSSING WITHIN 300M ON EITHER SIDES OF THE PLOT.
- NO DRAIN SEWER OR STRUCTURE WITHIN 1.5M FROM THE UNDER GROUND TANKS.
- SUCTION, FILL & VENT PIPES UNDER THE DRIVEWAY TO BE HOUSED UNDER PIPE SLEEVE.
- VENT PIPE 40MM DIA AND 4.0M HIGH FROM THE GROUND LEVEL AND 4.00MTR. CLEAR ALL ROUND WITHIN THE PLOT FITTED WITH INVERTED 'U' TYPE VENT HOOD COVERED WITH TWO LAYERS OF NON CORRODIBLE METAL WIRE GAUGE OF 11 MESH PER LINEAR CENTIMETER AT ITS OPEN ENDS.
- D.P.S. BOARD FIXED ON THE WALL OF ROOM 1.50MTR. HIGH. FROM ITS FLOOR LEVEL AND SHALL NOT BE KEPT UNDER LOCK AND KEY.
- FILL POINTS ARE KEPT 3.65M CLEAR AROUND.
- "NO SMOKING" SIGN SHALL BE DISPLAYED AT THE PETROL PUMP.
- 04 Nos. 10 Kg DCP type fire extinguisher, 01 no. 4.5 Kg Co2 type fire extinguisher and 06 Nos. sand buckets, 10 Kg each.
- TANKS FED BY TANK LORRY.
- BOTH THE TANKS NOT BE REPLENISHED AT THE SAME TIME.
- FILL PIPE AND DIP PIPES ARE FITTED WITH LOCKING CAP
- ALL ELECTRIC FITTING CONFORM TO IS CODE NO. 2148.

SPECIFICATIONS

CERTIFIED THAT THE TANK SHALL BE TO FABRICATED AS PER APPROVED SPECIFICATION AS BSI CODE 10978

NOTE:

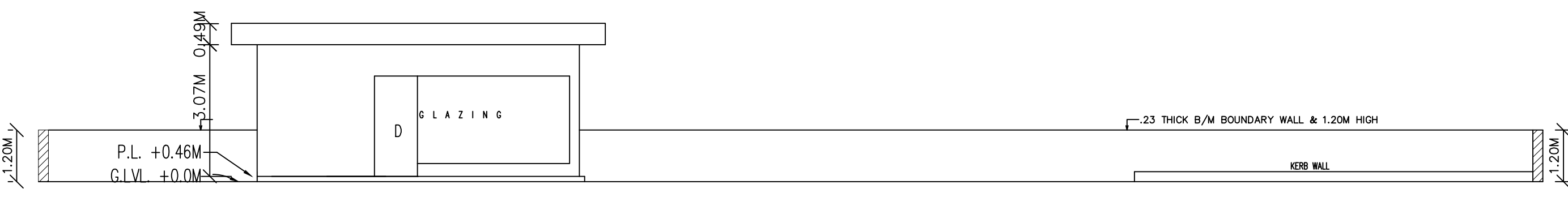
- CERTIFIED THAT THIS IS A NEW RETAIL OUTLET & NOT RESITEMENT CASE.
- CERTIFIED THAT NO COURT CASE PENDING IN ANY COURT OF INDIA AGAINST THIS SITE DEALERSHIP.
- CERTIFIED THAT ALL THE CLEARANCES/APPROVALS FROM MCP/IRC AND OTHER RELEVANT GOVT. DEPTT. SHALL BE OBTAINED.
- CERTIFIED THAT M.S. CANOPY OF MEASURING 12.0 M X 15.00 M SHALL CONFORM TO SOUND ENGG. SPEC. AND THERE IS NO CHANCE OF ITS EVER CAVING-IN UNDER NORMAL CIRCUMSTANCES. STEEL CANOPY APPROVAL NO. CCE 6-40(NC) P-CANOPY DT.26.07.89
- CERTIFIED THAT ALL FACILITIES AS SHOWN IN THE DRAWING ARE INSTALLED PROVIDED AT ABOVE R/O.

LEGEND USED

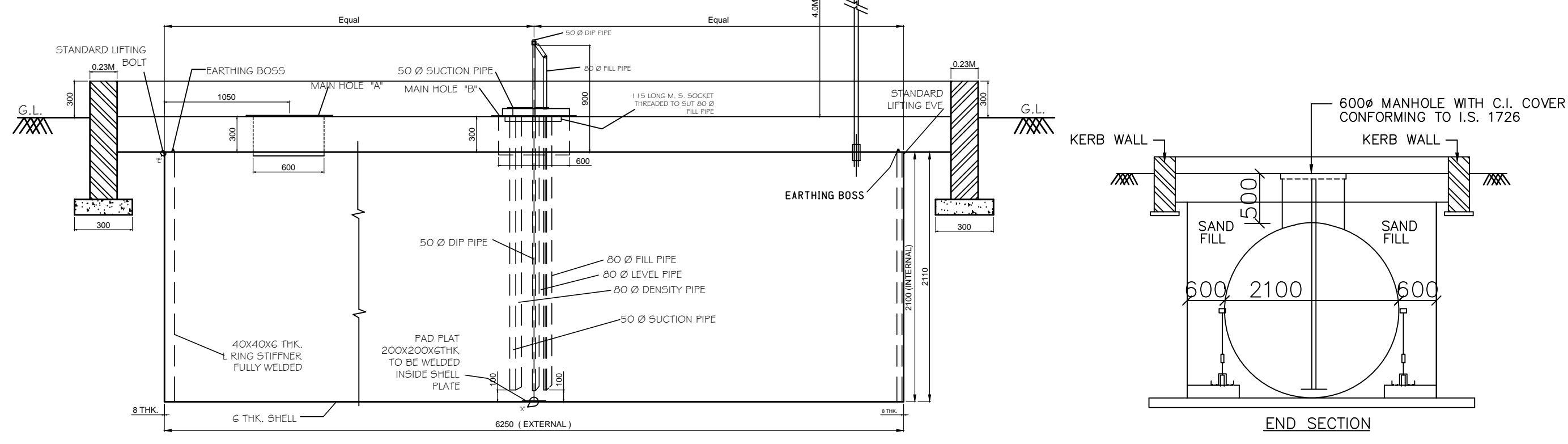
| | | |
|---|----------------------------------|---|
| 1 | TAG/THERMAL READER | Δ |
| 2 | DENSITY METER | ○ |
| 3 | PROBE | ∩ |
| 4 | HECTRONIC GAUGE | □ |
| 5 | FCC | ▨ |
| 6 | BOSS | ⊗ |
| 7 | LVC SECSEER CABLE UNDER TRENCHES | — |

SPECIFICATIONS FOR TANKS:-

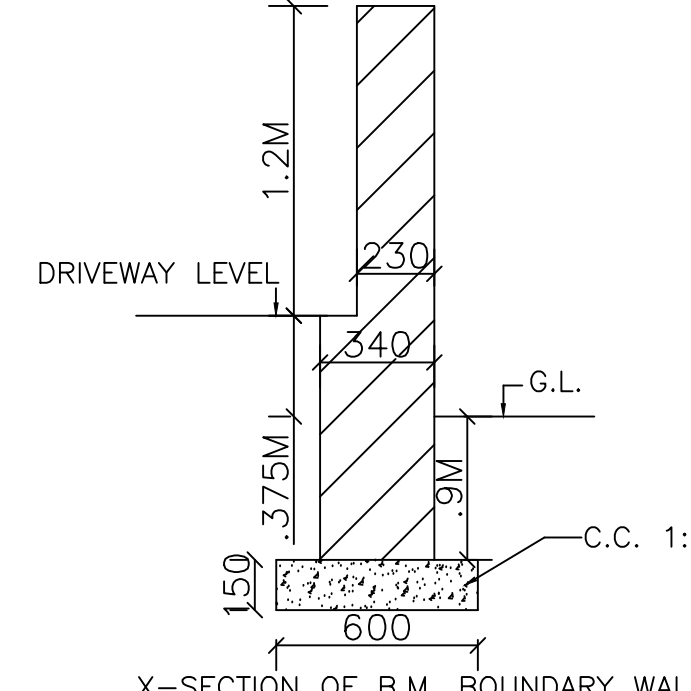
- CCE, NAGPUR APPROVED IN PRINCIPLE THE ARRANGEMENT FOR AUTOMATION SYSTEM FOR R/O VIDE THEIR LETTER NO P-6(3)68 DATED 26.12.05 WITH 3RD PIRTY INSPECTION/SUPPERVISION/SERTIFICATION.
- CCE, NAGPUR ACCORDED APPROVALFOR STP OF MODEL P-150-53-3T VIDE THEIR LETTER NO R-1(1)36/SUMO/679 DATED 01.04.2011 EXTENDED UP TO 27.10.2014.



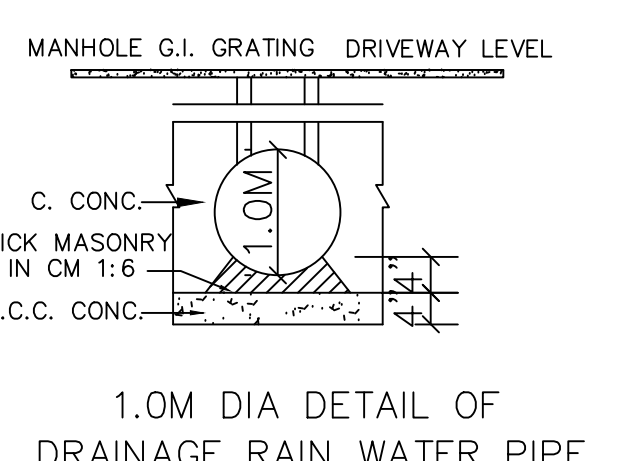
DETAILS SECTION AND ELEVATION OF R/O



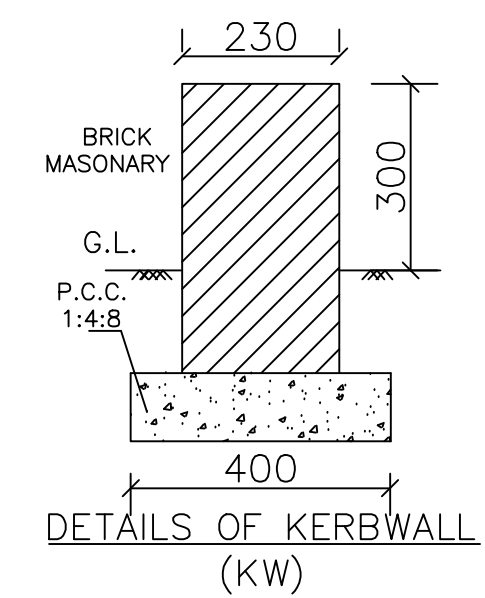
LONGITUDINAL PART ELEVATION PART SECTION



X-SECTION OF B.M. BOUNDARY WALL



1.0M DIA DETAIL OF DRAINAGE RAIN WATER PIPE



DETAILS OF KERB WALL (KW)

| DATE | REV. NO. | BRIEF DESCRIPTION OF REVISIONS MADE | CHECKED |
|------------|----------|-------------------------------------|---------|
| 30.05.2021 | REV.-1 | NEW PROPOSAL | |
| | REV.-2 | | |
| | REV.-3 | | |

| | | |
|---------------------------------------|--|---|
| IndianOil | TITLE: - PROPOSED RETAIL OUTLET MS/HSD FUELS. | CHECKED BY: - |
| | NAME OF RETAIL OUTLET | |
| DRAWN BY: - SANDEEP | | Engg. Officer HDO |
| DRAWING No. ENGG/HDO/674 | PROJECT: - PROPOSED SITE AND LAYOUT PLAN FOR RETAIL OUTLET OF IOCL AT VILLAGE-HAMJAPUR, ON RATIA- FATEHABAD ROAD, CH IN KM 48.580 ON SH-21, TEHSIL RATIA DISTT.-FATEHABAD. (HRY) | APPROVED BY: - |
| EXPLO. LIC.NO. NEW | | for Indian Oil Corporation Ltd. (M.O.) |
| ROAD NAME ON RATIA- FATEHABAD (SH-21) | PREPARED BY: - | Chief Divisional Retail Sales Manager HDO |
| SCALE - AS SHOWN | M/s BRK GROUP OF ENGINEERS HISAR. No.No. 98122-31598, 94162-66173 | Chief Divisional Retail Sales Manager HDO |