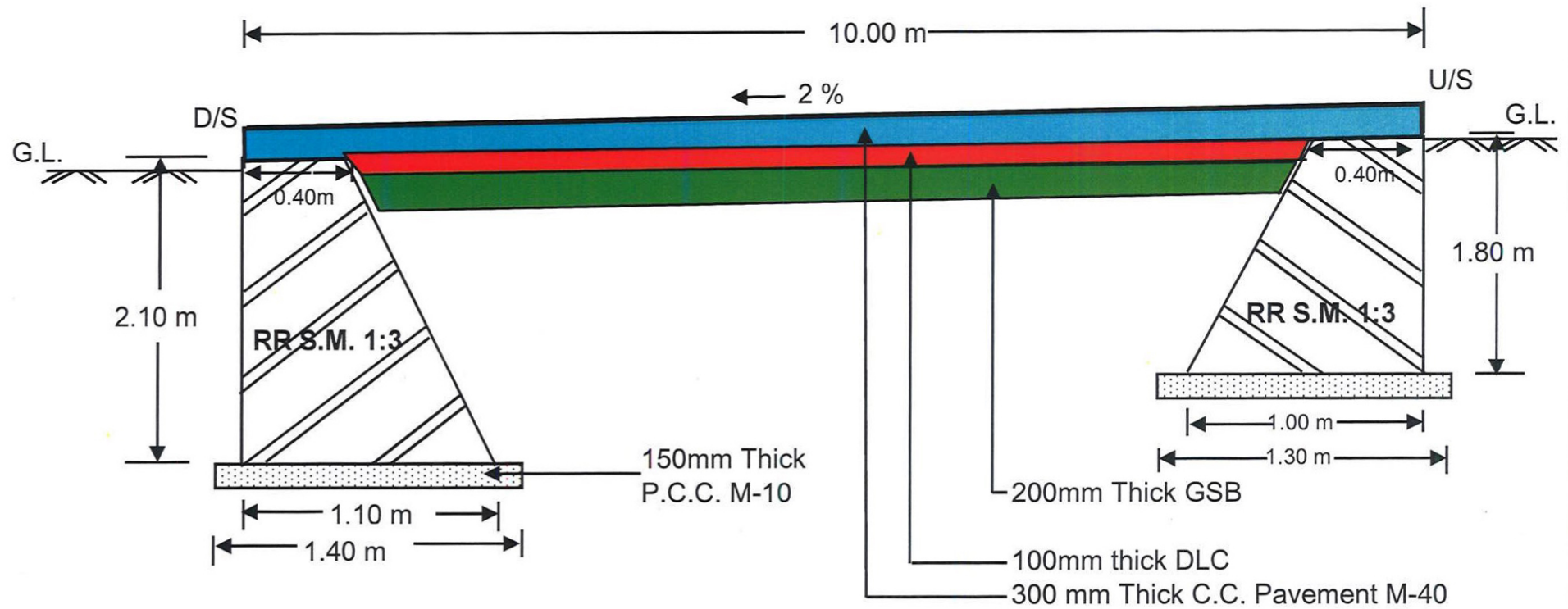
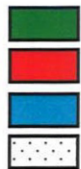


NAME OF WORK : RECONSTRUCTION WORK OF VIRATNAGAR (NH-248A) TO CHILPALI MOD (NH-148) VIA TEORI, SEWRA PALRI, PALRI TIRAHA, GHEOTA, SAWAMI KI DHANI, BADSHAHPUR, GUDHA BAIJANATHPURA, TODALARI (JOB



Index :

1. GSB
2. DLC
3. C.C. Pavement
4. M-10 CC



Anil Kumar

(अनिल कुमार मीना)

सहायक अभियन्ता

सा.नि.वि. उपखण्ड विराटनगर-I जयपुर

TYPICAL X - SECTION OF FLUSH CAUSEWAY