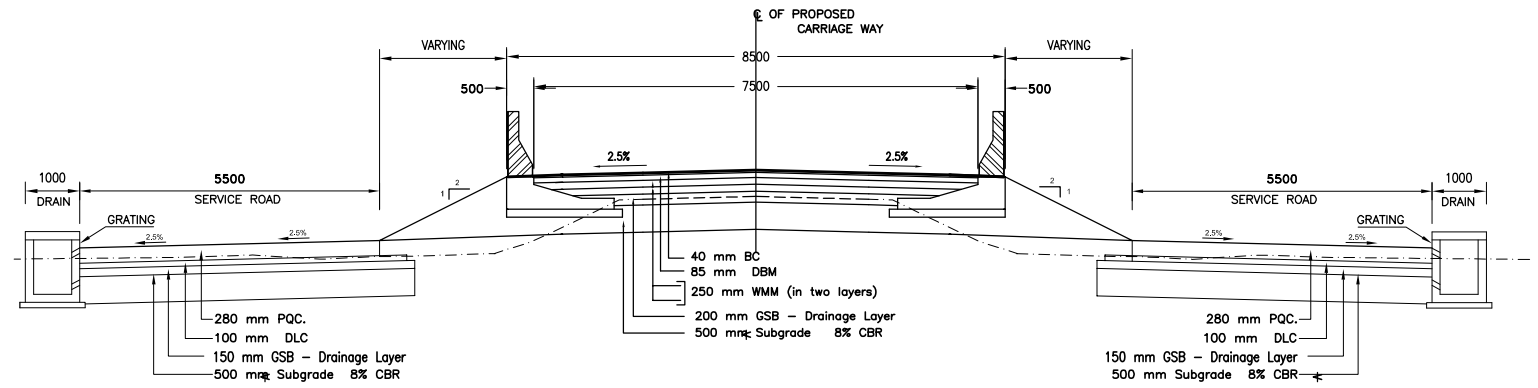
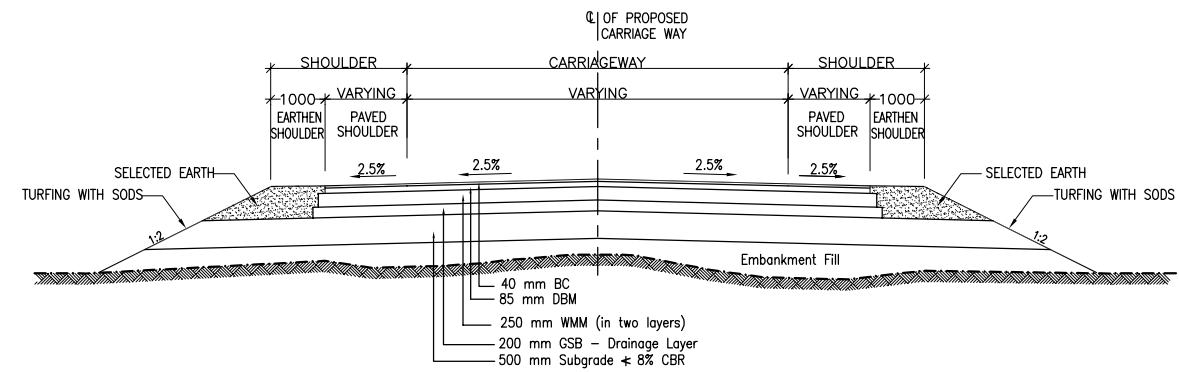


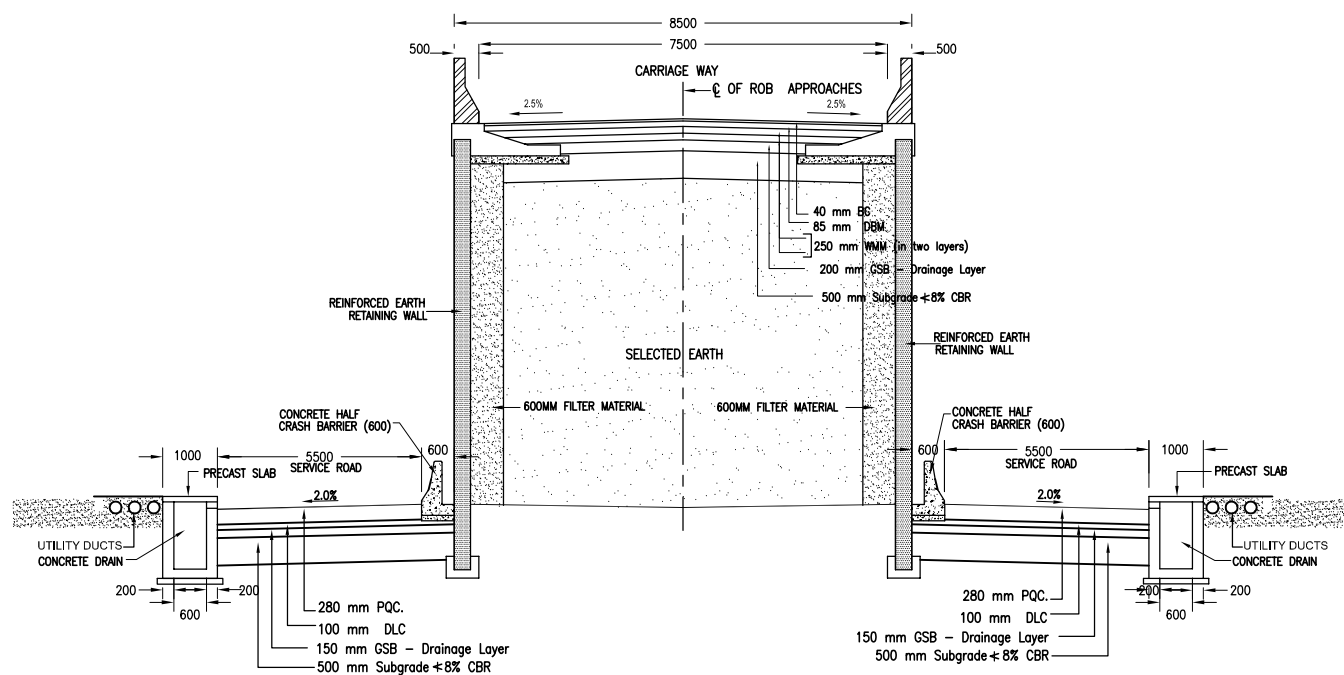
TCS-1 TYPICAL CROSS SECTION OF APPROACH ROAD



TCS-3 CROSS SECTION SHOWING SERVICE ROAD AT ROB APPROACHES AFTER END OF REINFORCED EARTH RETAINING WALL



TCS-4 TYPICAL CROSS SECTION OF APPROACH ROAD



TCS-2 CROSS SECTION SHOWING SERVICE ROAD AT ROB APPROACHES INCLUDING REINFORCED EARTH RETAINING WALL

NOTE :  
ALL DIMENSIONS ARE IN MM UNLESS OTHERWISE MENTIONED

TYPE	CHAINAGE		LENGTH
	FORM	TO	
TCS 1	0+000	0+040	40M
	1+000	1+050	50M
TCS 2	0+157	0+439	282M
	0+610	0+883	273M
TCS 3	0+110	0+157	47M
	0+883	0+930	47M
TCS 4	0+040	0+110	70M
	0+930	1+000	70M

*(Signature)*  
Executive Engineer  
National Highway Division  
Madhepuraj

SCALE :- 1:100				CLIENT: <b>MINISTRY OF ROAD TRANSPORT &amp; HIGHWAYS (MORT&amp;H)</b> GOVERNMENT OF INDIA				TYPICAL CROSS SECTION (NH - 327A CH-24KM)				DPR CONSULTANT : <b>CETEST</b> Engineering Consultants An ISO 9001, 14001 & OHSAS 18001 Certified Company				DWG. NO. GET/3363/P-5/LC 77-C/ FR/TCS					
DATE:- SEPTEMBER' 2018				PROJECT: CONSULTANCY SERVICES FOR PREPARATION OF PROJECT REPORT COMPRISING DETAILED SURVEY/INVESTIGATION, ALIGNMENT OPTION, PREPARATION OF GENERAL ARRANGEMENT DRAWING AND ENGINEERING REPORT FOR CONSTRUCTION OF PROPOSED ROB & THEIR APPROACHES IN REPLACEMENT OF EXISTING LEVEL CROSSINGS. IN THE STATE OF BIHAR, UNDER CONTRACT PACKAGE NO-05				PROJECT ID:- PROP.ROB AT LC NO 77-C				C.E. TESTING COMPANY PVT. LTD. (An ISO 9001, 14001 & OHSAS 18001 Certified Company) 124-A, N.S.C. Bose Road, Kolkata - 700092.				DRAWN BY S.Mondal		CHECKED BY D. Pal		APPROVED BY K. Datta	
REVISIONS																					