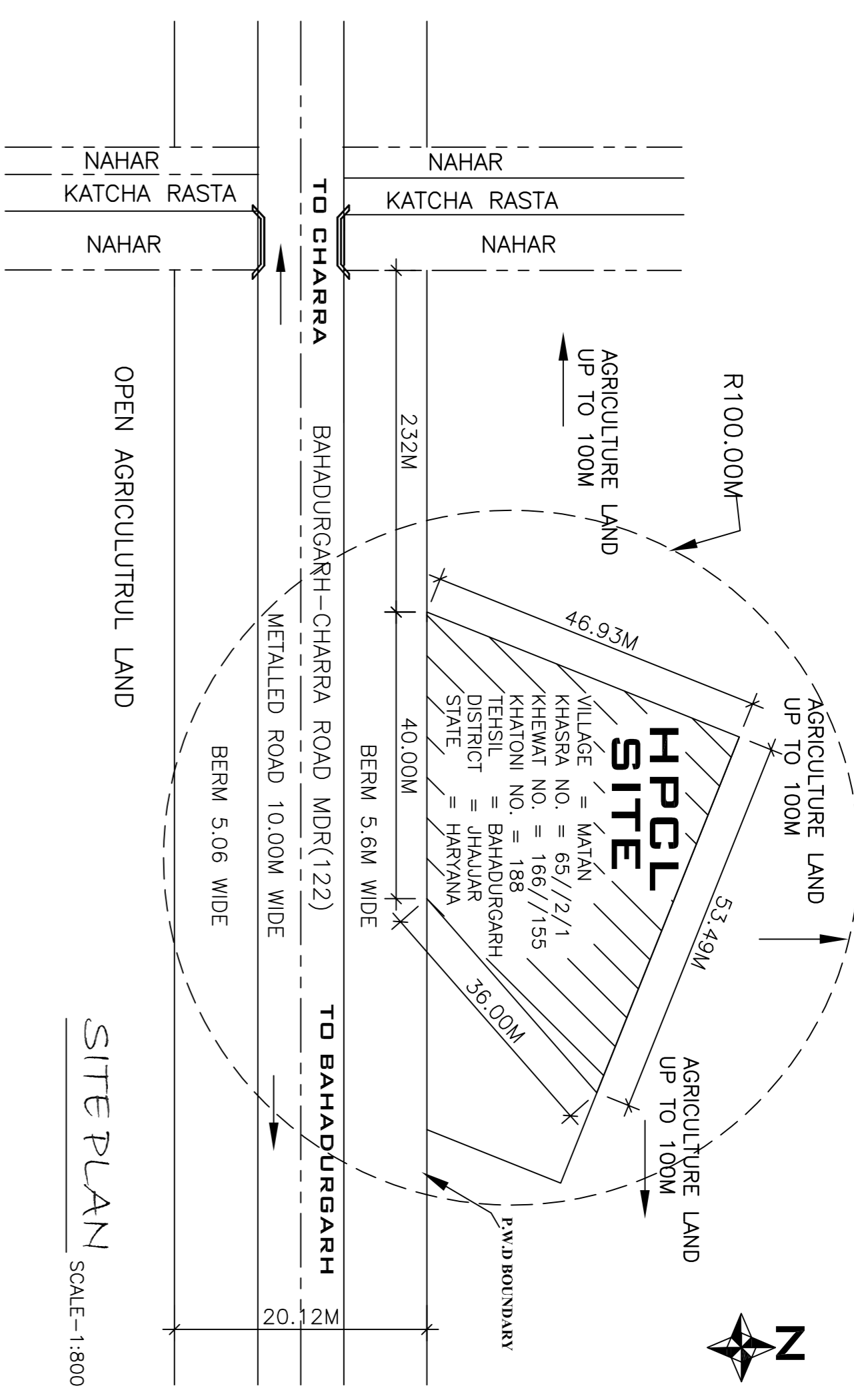
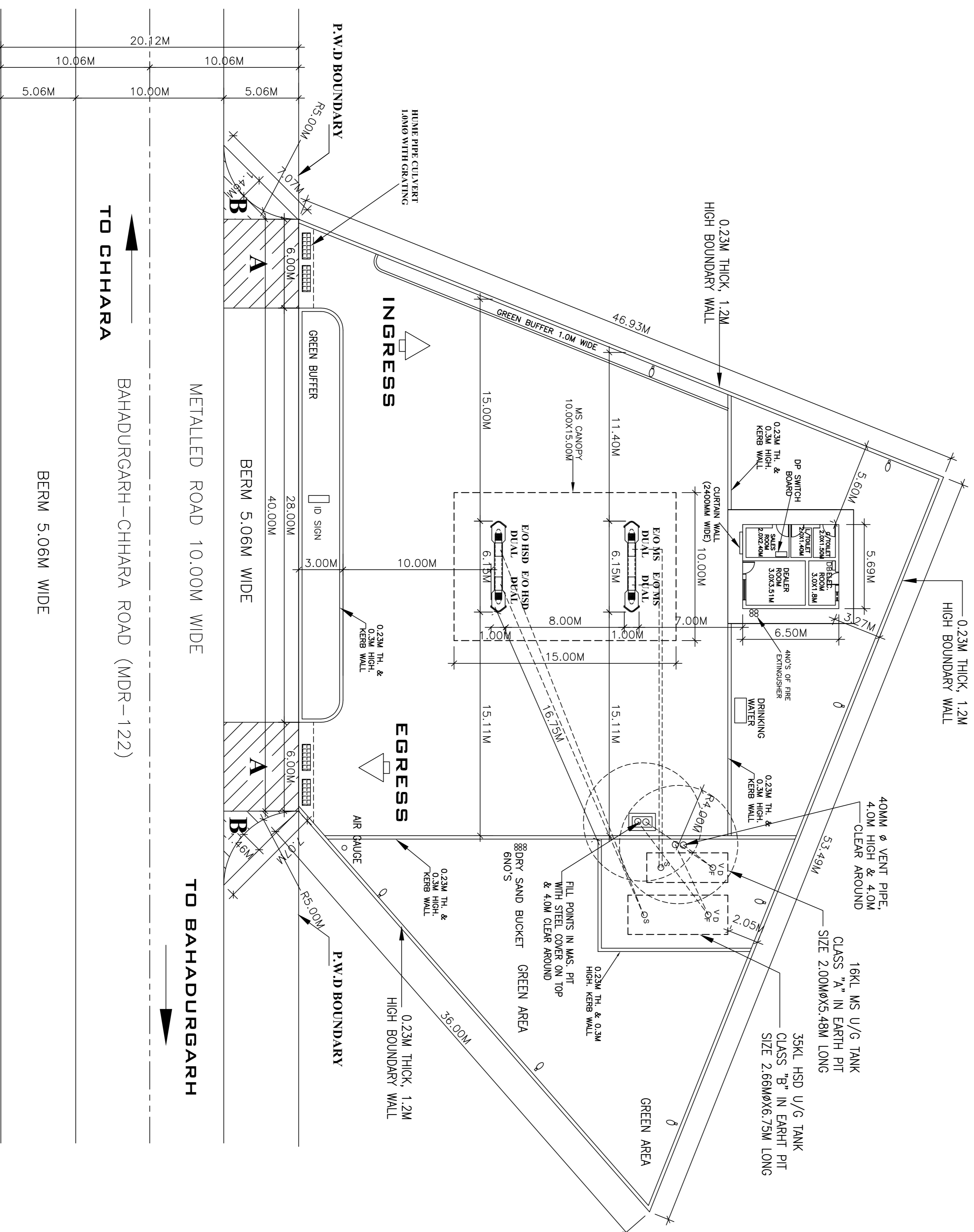
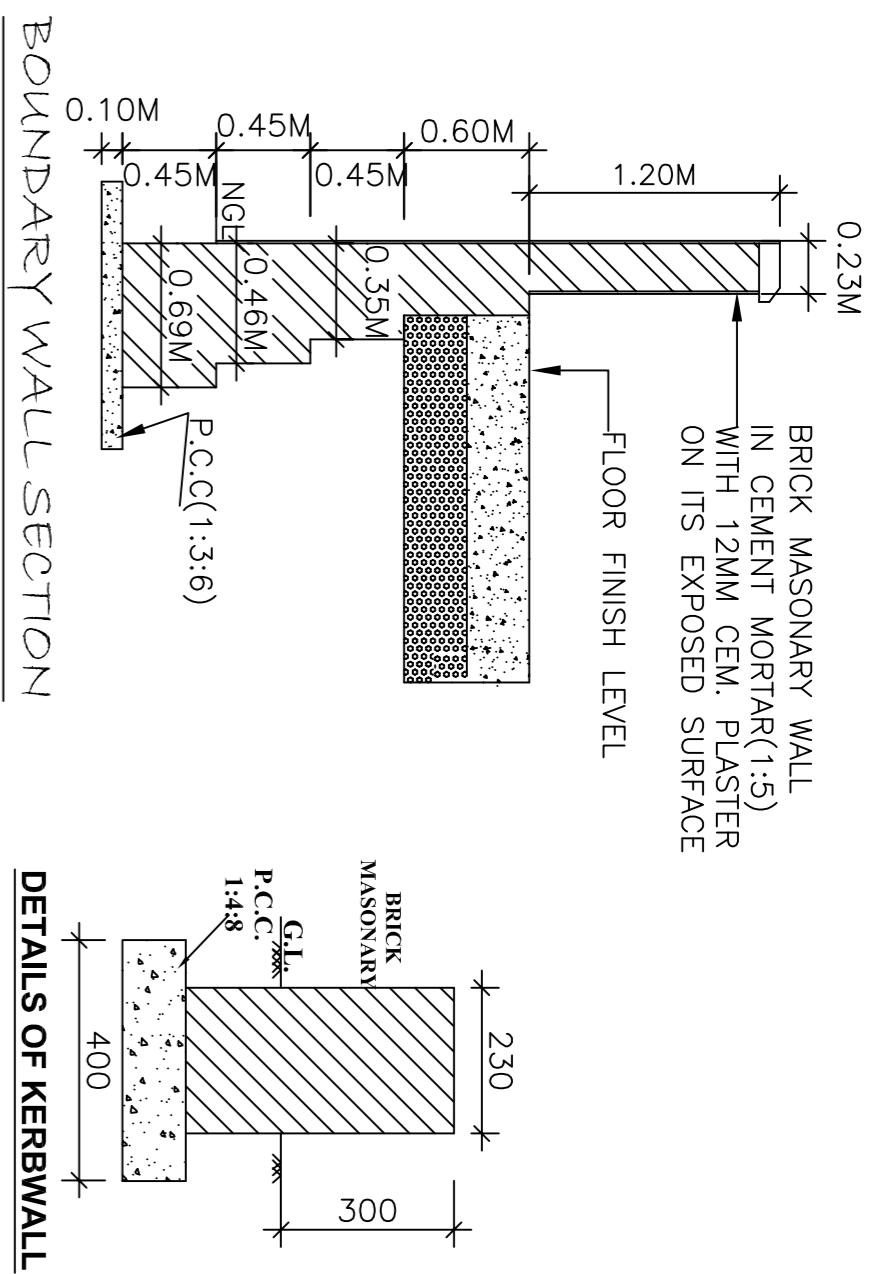


**AREA OF APPROACHES**

AREA AT 'A' = 6.0MX5.06M = 30.36X2 = 60.72 SQ.M.  
 AREA AT 'B' = AREA MARKED 'B' - AREA OF SEGMENT  
 $2X[(1/2X5.0MX5.0M) - 2/3X7.07MX1.46M]$   
 $= 2X[12.5 - 6.88] \text{ SQ.M.}$   
 $= 2X5.62 \text{ SQ.M.} = 11.24 \text{ SQ.M.}$   
 TOTAL AREA = (A+B)  
 $= (60.72 + 11.24) \text{ SQ.M.}$   
 $= 71.96 \text{ SQ.M.}$   
 $= 0.0072 \text{ HECT.}$



AREA DETAIL	
TOTAL PLOT AREA	1729.23 SQ.M.
TOTAL BUILDING AREA	36.98 SQ.M.
TOTAL CANOPY AREA	150.00 SQ.M.

**NOTES & CERTIFICATES**

- CERTIFIED THAT THERE IS NO OTHER STRUCTURE WILL BE ERRECTED NOR ANY OTHER SERVICE RENDERED EXCEPT THAT CONNECTED WITH THE PETROL PUMP WITHOUT THE PRIOR APPROVAL OF P.W.D.
- CERTIFIED THAT THERE IS NO ROAD CROSSING WITH IN 100M BETWEEN THE TANGENT POINT OF THE CURVE OF SIDE ROAD AND THAT OF THE FUEL FILLING CUM SERVICE STATION.
- CERTIFIED THAT THERE NO OBJECTION FROM THE ROAD POINT OF VIEW FOR THE INSTALLATION OF THIS PUMP THE PROPOSAL WILL NOT EFFECT THE FUTURE IMPROVEMENT OF THE ROAD.
- CERTIFIED THAT NO OTHER PETROL PUMP EXISTS WITHIN THE DISTANCE OF 300M ON EITHER SIDE OF THE PLOT.
- CERTIFIED THAT THE BERM PORTION IS NOT INCLUDED IN THE AREA OF LAND TO BE LEASED FROM P.W.D. FOR THE SITE TO BE OPERATED BY THE CORPORATION AND BE REFERRED TO THE SOFT OF INDIA AND IRC FROM TIME TO TIME WITH THE LOCATION OF ROAD SIDE FUEL FILLING STATIONS HAVE BEEN COMPLIED WITH ENTIRE CONSTRUCTION WILL BE ON CORPORATION LAND.
- NO DRAIN SEWER OR STRUCTURE WITHIN 1.5M FROM U/G TANKS.
- ELECTRIC FITTINGS CONFORM TO ISS CODE NO 2148 FOR DISPENSING PUMP ONLY.
- D.P.'S BOARD 1.5M HIGH FROM FLOOR LEVEL AND WILL NOT BE KEPT UNDER LOCK AND KEY.
- TANKS FED BY TANK LORRY.
- 40MM DIA. VENT PIPES 4.0M HIGH FROM G.L. AND 4M CLEAR AROUND. THE OPEN END OF VENT PIPES COVERED WITH TWO LEAK OF NON-CORRODIBLE METAL WIRE GAUGE OF 1.1MM PER CM.
- PIPES COVERED WITH TWO LEAK OF NON-CORRODIBLE METAL WIRE GAUGE OF 1.1MM PER CM.
- THESE SHOULD BE SUFFICIENT STANDING SPACE IN SIDE THE STATION FOR VEHICLES TO WAIT FOR THEIR TURN.
- IN AND OUT SIGNS ARE PUT UP TO GUIDE VEHICLES DURING THE DAY AND ARE PROPERLY LIT UP TO GUIDE THEM AT NIGHT.
- NO SMOKING SIGN/FIRE EXTINGUISHER AND FIRE BUCKETS PROVIDED AT SITE.
- CERTIFIED THAT BUFFER SHOULD NOT HAVE ANY INSTALLATION, UNDER GROUND TANKS ETC.
- CERTIFIED THAT THE KERBING OF THE BERM PORTION IS TO BE MADE BY CORP.
- CERTIFIED THAT THERE WILL NOT BE ANY HINDRANCES FROM OVER HEAD LINES AND POLES.
- CERTIFIED THAT THE SURPLUS WATER WILL NOT BE DISPOSED OFF IN P.W.D. LAND.
- CERTIFIED THAT ALL CLEARANCES/APPROVAL FROM MOP-JRC & OTHER RELEVANT GOVT. DEPT. HAVE BEEN OBTAINED.
- CERTIFIED THAT THERE IS NO COURT CASE PENDING IN ANY COURT OF INDIA AGAINST THIS PREMISES.
- CERTIFIED THAT THIS IS NOT A RESIGNMENT CASE.
- 16/35KL STEEL TANK HAS BEEN FABRICATED AS PER DRG. APPROVED BY CCEO MANGUR VIDE HIS LETTER NO. -P-6 (3) 60 OF DATED 6-10-2005
- CERTIFIED THAT THE CANOPY MEASURING 10.00X15.00M CONFORM TO SOUND ENGINEERING SPECIFICATION



**हिंदुस्तान पेट्रोलियम कॉर्पोरेशन लिमिटेड**  
**HINDUSTAN PETROLEUM CORPORATION LIMITED**  
 (GURGAON REGIONAL OFFICE)  
 (A GOVERNMENT OF INDIA ENTERPRISE)

VILLAGE = MATAN  
 KHASRA NO. = 65//2/1  
 KHEWAT NO. = 166//155  
 KHATONI NO. = 188  
 NEAREST POLICE STATION=BAHADURGARH  
 NEAREST RAILWAY STATION=BAHADURGARH  
 TEHSIL = BAHADURGARH  
 DISTRICT = JHAJJAR  
 STATE = HARYANA  
 PIN CODE = 124501

**PROPOSED SITE & LAYOUT PLAN OF**  
**RETAIL OUTLET BAHADURGARH-CHHARA**  
**ROAD(MDR-122),NEAR KM. STONE-12(RHS)**  
**AT VILLAGE MATAN,**  
**TEHSIL BAHADURGARH, DISTT. JHAJJAR**  
**(HARYANA)**

LIC. NO. = NEW PROPOSAL  
 DRAWING NO. 1-110  
 DATE: 19.11.2016

VASTUKIRTI CONSULTANTS  
 PLOT NO. 35/36/37/38/39/40/41/42/43/44/45/46/47/48/49/50/51/52/53/54/55/56/57/58/59/60/61/62/63/64/65/66/67/68/69/70/71/72/73/74/75/76/77/78/79/80/81/82/83/84/85/86/87/88/89/90/91/92/93/94/95/96/97/98/99/100/101/102/103/104/105/106/107/108/109/110/111/112/113/114/115/116/117/118/119/120/121/122/123/124/125/126/127/128/129/130/131/132/133/134/135/136/137/138/139/140/141/142/143/144/145/146/147/148/149/150/151/152/153/154/155/156/157/158/159/160/161/162/163/164/165/166/167/168/169/170/171/172/173/174/175/176/177/178/179/180/181/182/183/184/185/186/187/188/189/190/191/192/193/194/195/196/197/198/199/200/201/202/203/204/205/206/207/208/209/210/211/212/213/214/215/216/217/218/219/220/221/222/223/224/225/226/227/228/229/230/231/232/233/234/235/236/237/238/239/240/241/242/243/244/245/246/247/248/249/250/251/252/253/254/255/256/257/258/259/260/261/262/263/264/265/266/267/268/269/270/271/272/273/274/275/276/277/278/279/280/281/282/283/284/285/286/287/288/289/290/291/292/293/294/295/296/297/298/299/300/301/302/303/304/305/306/307/308/309/310/311/312/313/314/315/316/317/318/319/320/321/322/323/324/325/326/327/328/329/330/331/332/333/334/335/336/337/338/339/340/341/342/343/344/345/346/347/348/349/350/351/352/353/354/355/356/357/358/359/360/361/362/363/364/365/366/367/368/369/370/371/372/373/374/375/376/377/378/379/380/381/382/383/384/385/386/387/388/389/390/391/392/393/394/395/396/397/398/399/400/401/402/403/404/405/406/407/408/409/410/411/412/413/414/415/416/417/418/419/420/421/422/423/424/425/426/427/428/429/430/431/432/433/434/435/436/437/438/439/440/441/442/443/444/445/446/447/448/449/450/451/452/453/454/455/456/457/458/459/460/461/462/463/464/465/466/467/468/469/470/471/472/473/474/475/476/477/478/479/480/481/482/483/484/485/486/487/488/489/490/491/492/493/494/495/496/497/498/499/500/501/502/503/504/505/506/507/508/509/510/511/512/513/514/515/516/517/518/519/520/521/522/523/524/525/526/527/528/529/530/531/532/533/534/535/536/537/538/539/540/541/542/543/544/545/546/547/548/549/550/551/552/553/554/555/556/557/558/559/560/561/562/563/564/565/566/567/568/569/570/571/572/573/574/575/576/577/578/579/580/581/582/583/584/585/586/587/588/589/590/591/592/593/594/595/596/597/598/599/600/601/602/603/604/605/606/607/608/609/610/611/612/613/614/615/616/617/618/619/620/621/622/623/624/625/626/627/628/629/630/631/632/633/634/635/636/637/638/639/640/641/642/643/644/645/646/647/648/649/650/651/652/653/654/655/656/657/658/659/660/661/662/663/664/665/666/667/668/669/670/671/672/673/674/675/676/677/678/679/680/681/682/683/684/685/686/687/688/689/690/691/692/693/694/695/696/697/698/699/700/701/702/703/704/705/706/707/708/709/710/711/712/713/714/715/716/717/718/719/720/721/722/723/724/725/726/727/728/729/730/731/732/733/734/735/736/737/738/739/740/741/742/743/744/745/746/747/748/749/750/751/752/753/754/755/756/757/758/759/760/761/762/763/764/765/766/767/768/769/770/771/772/773/774/775/776/777/778/779/780/781/782/783/784/785/786/787/788/789/790/791/792/793/794/795/796/797/798/799/800/801/802/803/804/805/806/807/808/809/810/811/812/813/814/815/816/817/818/819/820/821/822/823/824/825/826/827/828/829/830/831/832/833/834/835/836/837/838/839/840/841/842/843/844/845/846/847/848/849/850/851/852/853/854/855/856/857/858/859/860/861/862/863/864/865/866/867/868/869/870/871/872/873/874/875/876/877/878/879/880/881/882/883/884/885/886/887/888/889/890/891/892/893/894/895/896/897/898/899/900/901/902/903/904/905/906/907/908/909/910/911/912/913/914/915/916/917/918/919/920/921/922/923/924/925/926/927/928/929/930/931/932/933/934/935/936/937/938/939/940/941/942/943/944/945/946/947/948/949/950/951/952/953/954/955/956/957/958/959/960/961/962/963/964/965/966/967/968/969/970/971/972/973/974/975/976/977/978/979/980/981/982/983/984/985/986/987/988/989/990/991/992/993/994/995/996/997/998/999/1000/1001/1002/1003/1004/1005/1006/1007/1008/1009/1010/1011/1012/1013/1014/1015/1016/1017/1018/1019/1020/1021/1022/1023/1024/1025/1026/1027/1028/1029/1030/1031/1032/1033/1034/1035/1036/1037/1038/1039/1040/1041/1042/1043/1044/1045/1046/1047/1048/1049/1050/1051/1052/1053/1054/1055/1056/1057/1058/1059/1060/1061/1062/1063/1064/1065/1066/1067/1068/1069/1070/1071/1072/1073/1074/1075/1076/1077/1078/1079/1080/1081/1082/1083/1084/1085/1086/1087/1088/1089/1090/1091/1092/1093/1094/1095/1096/1097/1098/1099/1100/1101/1102/1103/1104/1105/1106/1107/1108/1109/1110/1111/1112/1113/1114/1115/1116/1117/1118/1119/1120/1121/1122/1123/1124/1125/1126/1127/1128/1129/1130/1131/1132/1133/1134/1135/1136/1137/1138/1139/1140/1141/1142/1143/1144/1145/1146/1147/1148/1149/1150/1151/1152/1153/1154/1155/1156/1157/1158/1159/1160/1161/1162/1163/1164/1165/1166/1167/1168/1169/1170/1171/1172/1173/1174/1175/1176/1177/1178/1179/1180/1181/1182/1183/1184/1185/1186/1187/1188/1189/1190/1191/1192/1193/1194/1195/1196/1197/1198/1199/1200/1201/1202/1203/1204/1205/1206/1207/1208/1209/1210/1211/1212/1213/1214/1215/1216/1217/1218/1219/1220/1221/1222/1223/1224/1225/1226/1227/1228/1229/1230/1231/1232/1233/1234/1235/1236/1237/1238/1239/1240/1241/1242/1243/1244/1245/1246/1247/1248/1249/1250/1251/1252/1253/1254/1255/1256/1257/1258/1259/1260/1261/1262/1263/1264/1265/1266/1267/1268/1269/1270/1271/1272/1273/1274/1275/1276/1277/1278/1279/1280/1281/1282/1283/1284/1285/1286/1287/1288/1289/1290/1291/1292/1293/1294/1295/1296/1297/1298/1299/1300/1301/1302/1303/1304/1305/1306/1307/1308/1309/1310/1311/1312/1313/1314/1315/1316/1317/1318/1319/1320/1321/1322/1323/1324/1325/1326/1327/1328/1329/1330/1331/1332/1333/1334/1335/1336/1337/1338/1339/1340/1341/1342/1343/1344/1345/1346/1347/1348/1349/1350/1351/1352/1353/1354/1355/1356/1357/1358/1359/1360/1361/1362/1363/1364/1365/1366/1367/1368/1369/1370/1371/1372/1373/1374/1375/1376/1377/1378/1379/1380/1381/1382/1383/1384/1385/1386/1387/1388/1389/1390/1391/1392/1393/1394/1395/1396/1397/1398/1399/1400/1401/1402/1403/1404/1405/1406/1407/1408/1409/1410/1411/1412/1413/1414/1415/1416/1417/1418/1419/1420/1421/1422/1423/1424/1425/1426/1427/1428/1429/1430/1431/1432/1433/1434/1435/1436/1437/1438/1439/1440/1441/1442/1443/1444/1445/1446/1447/1448/1449/1450/1451/1452/1453/1454/1455/1456/1457/1458/1459/1460/1461/1462/1463/1464/1465/1466/1467/1468/1469/1470/1471/1472/1473/1474/1475/1476/1477/1478/1479/1480/1481/1482/1483/1484/1485/1486/1487/1488/1489/1490/1491/1492/1493/1494/1495/1496/1497/1498/1499/1500/1501/1502/1503/1504/1505/1506/1507/1508/1509/1510/1511/1512/1513/1514/1515/1516/1517/1518/1519/1520/1521/1522/1523/1524/1525/1526/1527/1528/1529/1530/1531/1532/1533/1534/1535/1536/1537/1538/1539/1540/1541/1542/1543/1544/1545/1546/1547/1548/1549/1550/1551/1552/1553/1554/1555/1556/1557/1558/1559/1560/1561/1562/1563/1564/1565/1566/1567/1568/1569/1570/1571/1572/1573/1574/1575/1576/1577/1578/1579/1580/1581/1582/1583/1584/1585/1586/1587/1588/1589/1590/1591/1592/1593/1594/1595/1596/1597/1598/1599/1600/1601/1602/1603/1604/1605/1606/1607/1608/1609/1610/1611/1612/1613/1614/1615/1616/1617/1618/1619/1620/1621/1622/1623/1624/1625/1626/1627/1628/1629/1630/1631/1632/1633/1634/1635/1636/1637/1638/1639/1640/1641/1642/1643/1644/1645/1646/1647/1648/1649/1650/1651/1652/1653/1654/1655/1656/1657/1658/1659/1660/1661/1662/1663/1664/1665/1666/1667/1668/1669/1670/1671/1672/1673/1674/1675/1676/1677/1678/1679/1680/1681/1682/1683/1684/1685/1686/1687/1688/1689/1690/1691/1692/1693/1694/1695/1696/1697/1698/1699/1700/1701/1702/1703/1704/1705/1706/1707/1708/1709/1710/1711/1712/1713/1714/1715/1716/1717/1718/1719/1720/1721/1722/1723/1724/1725/1726/1727/1728/1729/1730/1731/1732/1733/1734/1735/1736/1737/1738/1739/1740/1741/1742/1743/1744/1745/1746/1747/1748/1749/1750/1751/1752/1753/1754/1755/1756/1757/1758/1759/1760/1761/1762/1763/1764/1765/1766/1767/1768/1769/1770/1771/1772/1773/1774/1775/1776/1777/1778/1779/1780/1781/1782/1783/1784/1785/1786/1787/1788/1789/1790/1791/1792/1793/1794/1795/1796/1797/1798/1799/1800/1801/1802/1803/1804/1805/1806/1807/1808/1809/1810/1811/1812/1813/1814/1815/1816/1817/1818/1819/1820/1821/1822/1823/1824/1825/1826/1827/1828/1829/1830/1831/1832/1833/1834/1835/1836/1837/1838/1839/1840/1841/1842/1843/1844/1845/1846/1847/1848/1849/1850/1851/1852/1853/1854/1855/1856/1857/1858/1859/1860/1861/1862/1863/1864/1865/1866/1867/1868/1869/1870/1871/1872/1873/1874/1875/1876/1877/1878/1879/1880/1881/1882/1883/1884/1885/1886/1887/1888/1889/1890/1891/1892/1893/1894/1895/1896/1897/1898/1899/1900/1901/1902/1903/1904/1905/1906/1907/1908/1909/1910/1911/1912/1913/1914/1915/1916/1917/1918/1919/1920/1921/1922/1923/1924/1925/1926/1927/1928/1929/1930/1931/1932/1933/1934/1935/1936/1937/1938/1939/1940/1941/1942/1943/1944/1945/1946/1947/1948/1949/1950/1951/1952/1953/1954/1955/1956/1957/1958/1959/1960/1961/1962/1963/1964/1965/1966/1967/1968/1969/1970/1971/1972/1973/1974/1975/1976/1977/1978/1979/1980/1981/1982/1983/1984/1985/1986/1987/1988/1989/1990/1991/1992/1993/1994/1995/1996/1997/1998/1999/2000/2001/2002/2003/2004/2005/2006/2007/2008/2009/2010/2011/2012/2013/2014/2015/2016/2017/2018/2019/2020/2021/2022/2023/2024/2025/2026/2027/2028/2029/2030/2031/2032/2033/2034/2035/2036/2037/2038/2039/2040/2041/2042/2043/2044/2045/2046/2047/2048/2049/2050/2051/2052/2053/2054/2055/2056/2057/2058/2059/2060/2061/2062/2063/2064/2065/2066/2067/2068/2069/2070/2071/2072/2073/2074/2075/2076/2077/2078/2079/2080/2081/2082/2083/2084/2085/2086/2087/2088/2089/2090/2091/2092/2093/2094/2095/2096/2097/2098/2099/2100/2101/2102/2103/2104/2105/2106/2107/2108/2109/2110/2111/2112/2113/2114/2115/2116/2117/2118/2119/2120/2121/2122/2123/2124/2125/2126/2127/2128/2129/2130/2131/2132/2133/2134/2135/2136/2137/2138/2139/2140/2141/2142/2143/2144/2145/2146/2147/2148/2149/2150/2151/2152/2153/2154/2155/2156/2157/2158/2159/2160/2161/2162/2163/2164/2165/2166/2167/2168/2169/2170/2171/2172/2173/2174/2175/2176/2177/2178/2179/2180/2181/2182/2183/2184/2185/2186/2187/2188/2189/2190/2191/2192/2193/2194/2195/2196/2197/2198/2199/2200/2201/2202/2203/2204/2205/2206/2207/2208/2209/2210/2211/2212/2213/2214/2215/2216/2217/2218/2219/2220/2221/2222/2223/2224/2225/2226/2227/2228/2229/2230/2231/2232/2233/2234/2235/2236/2237/2238/2239/2240