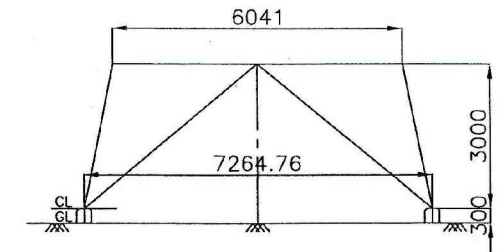
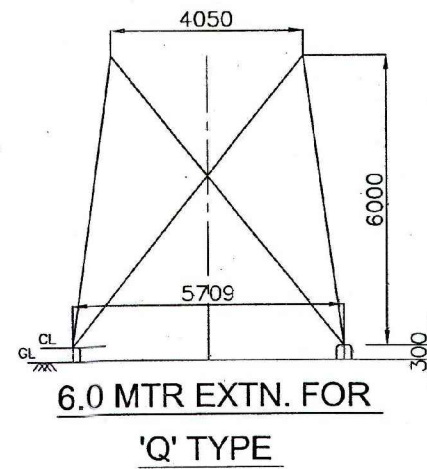


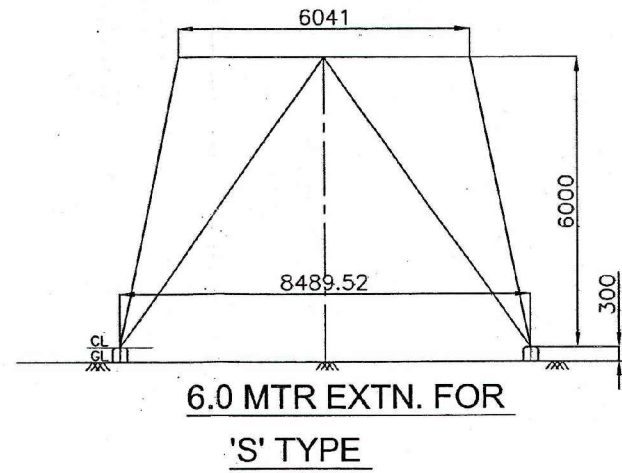
3.0 MTR EXTN. FOR  
'Q' TYPE



3.0 MTR EXTN. FOR  
'S' TYPE



6.0 MTR EXTN. FOR  
'Q' TYPE



6.0 MTR EXTN. FOR  
'S' TYPE

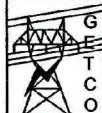

TR / I / 66KV / D/C TOWER JYOTI. STR / 5017.

DRG. TRACED OUT FROM JYOTI  
DRG.NO. STR. 1,2,3,4

DRG. TRACED OUT FROM JYOTI  
DRG.NO. STR. 5,6,7

DRG. TRACED OUT FROM JYOTI  
DRG.NO. STR.8,9,10,11

ALL DIMENTION ARE IN MM

 <b>GUJARAT ENERGY TRANSMISSION CORPN.LTD.</b> S.P.VIDYUT BHAVAN, RACE COURSE, VADODARA - 390 007				
<b>SINGLE LINE DIAGRAM OF 66 KV D/C TOWER</b> <b>TYPE 'P','Q','R'(JYOTI)</b> <b>(FOR 66KV LILOTO VANAR S/S)</b>				
DRAWN: <b>B.R.BERAWALA</b>	CHECKED:	APPD:	 SIZE: A4	
SCALE: 1:200	DATE: 17.02.2011	DRG. NO: GETCO / E / 06L-2914 / TOWER-003	SHEET: X OF Y	REV: R0